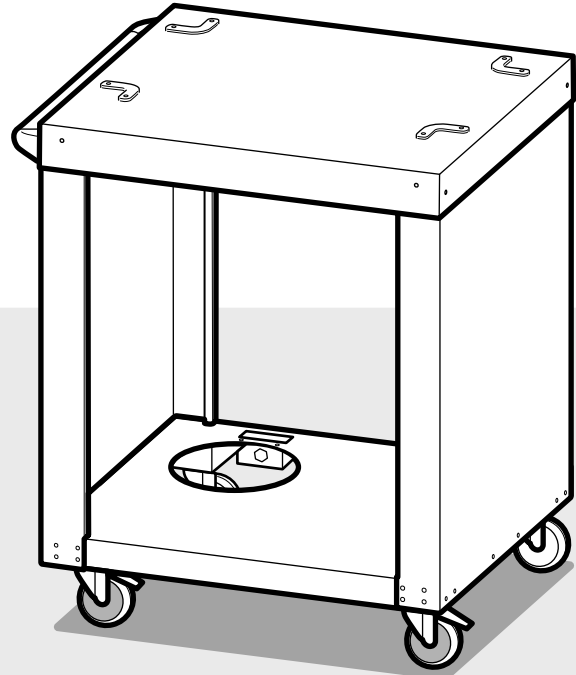


PIZZA OVEN CART ASSEMBLY INSTRUCTIONS

Model - **C1PZHCART**



CoyoteOutdoor.com



INCLUDED

5x12
Pan Head
Screw



x46



x2

6x16
Pan Head
Screw



x20



x2

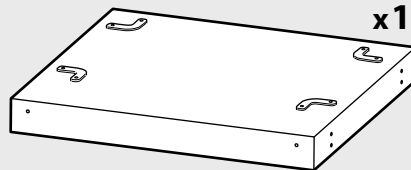
Spring
Washer



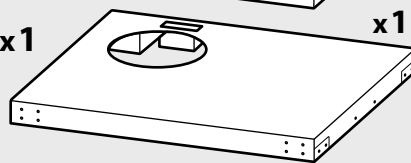
M6
Washer x20



x1



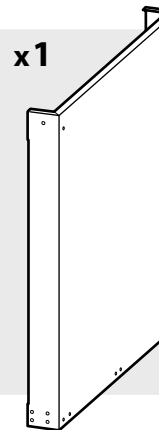
x1



x1



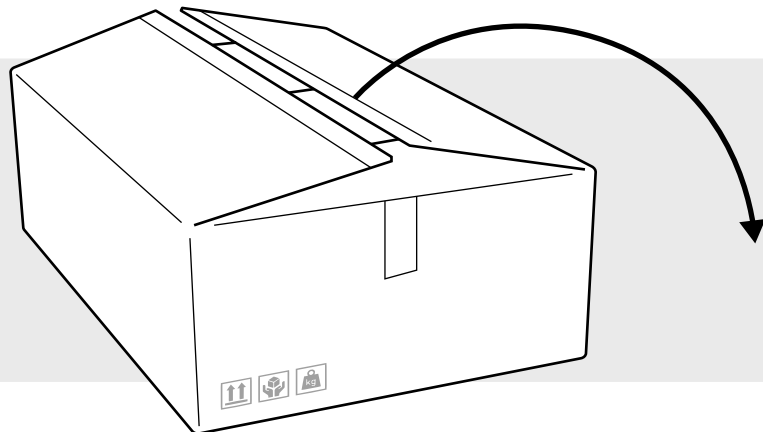
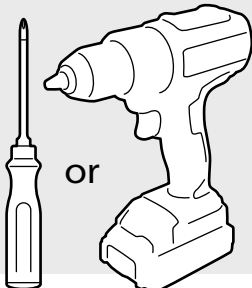
x1



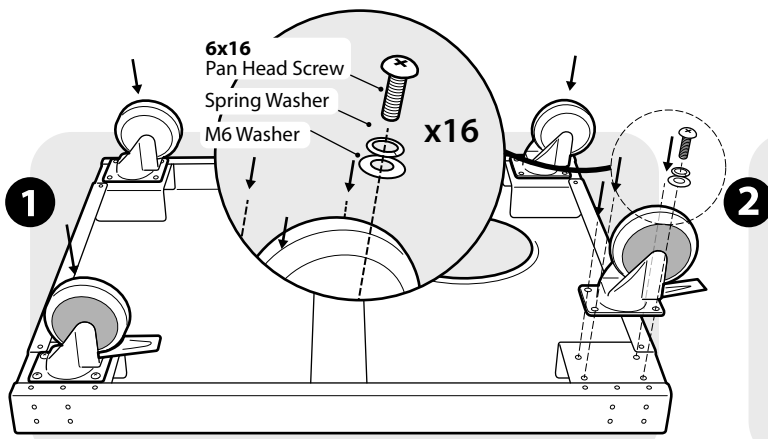
x1

x1

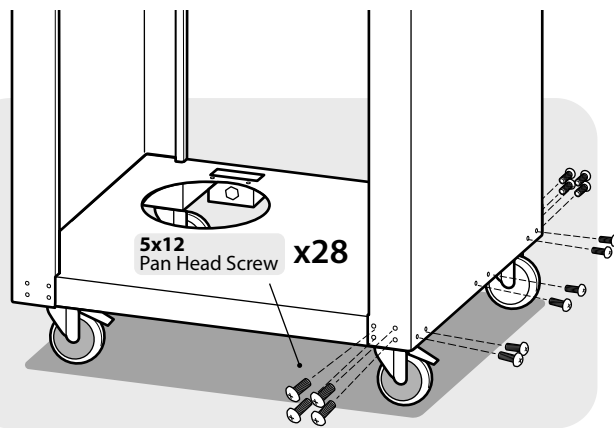
TOOLS NEEDED



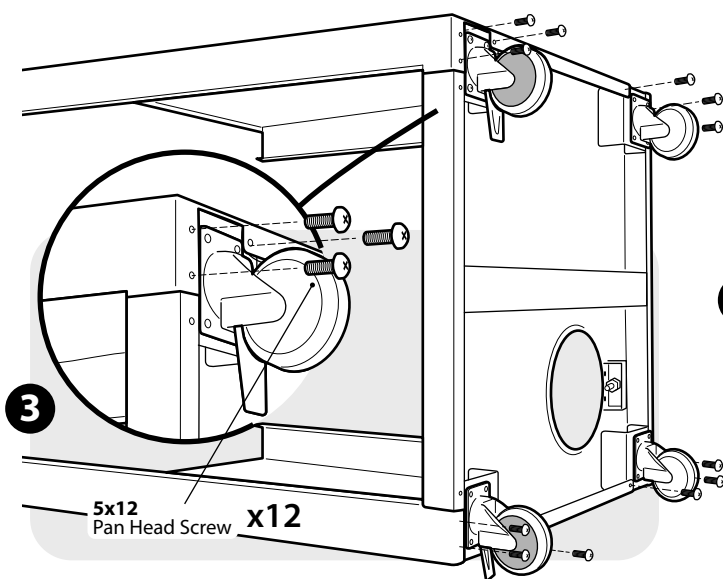
Open the package from the top and take inventory of all the parts.



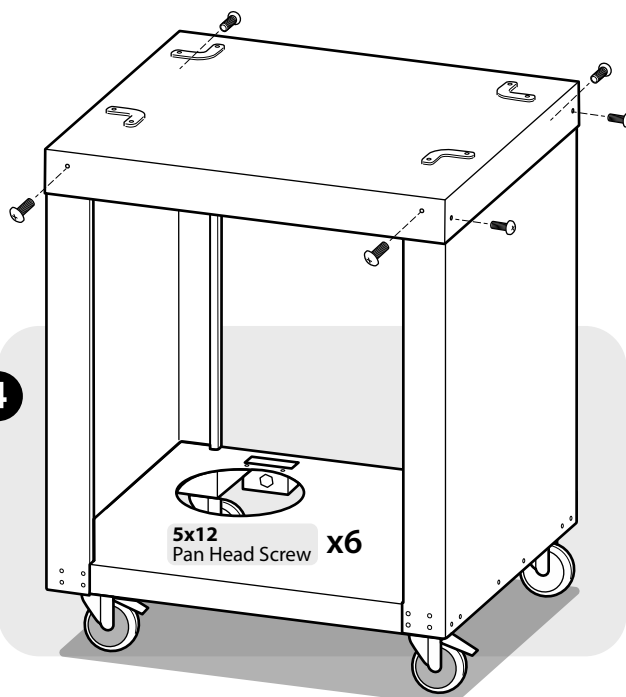
Flip the cart base and attach the casters with the locking casters at the front using the provided screws and washers. (16 – 6x16 Pan Head Screws, Spring Washer, M6 Washer)



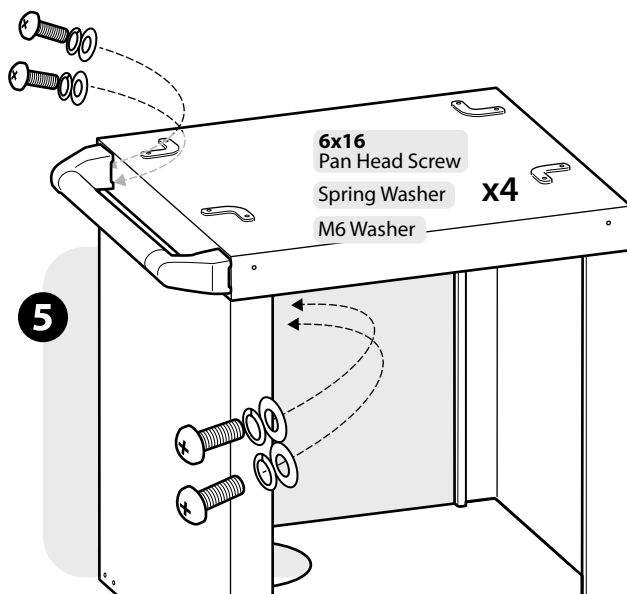
Flip the base and lock the front wheels. Then, attach the left and right-side panels using the screws provided. (28 – 5x12 Pan Head Screw)



Install screws under the cart as shown. If needed, lay the cart on the side to complete this step. (12 – 5x12 Pan Head Screw)



Place the top on the cart and attach it using the screws provided. (6 – 5x12 Pan Head Screw)



Finally, Attach the handle to the cart using the screws and washers provided. (4 – 6x16 Pan Head Screw, Spring Washer, M6 Washer)