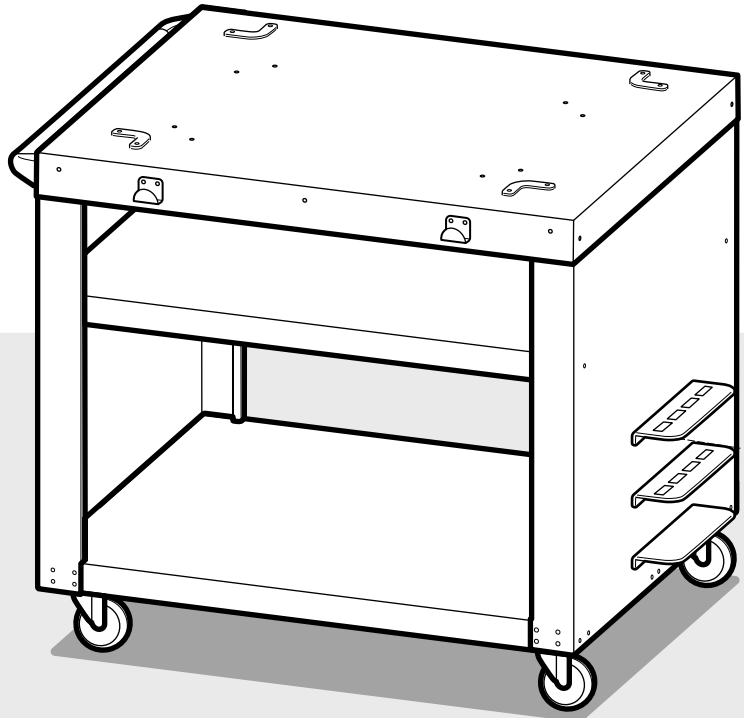


## PIZZA OVEN CART ASSEMBLY INSTRUCTIONS

Model - **C1PZCART**



CoyoteOutdoor.com

### INCLUDED

5x12  
Pan Head  
Screw **x64**



6x16  
Pan Head  
Screw **x20**



Spring  
Washer **x20**



M6  
Washer **x20**



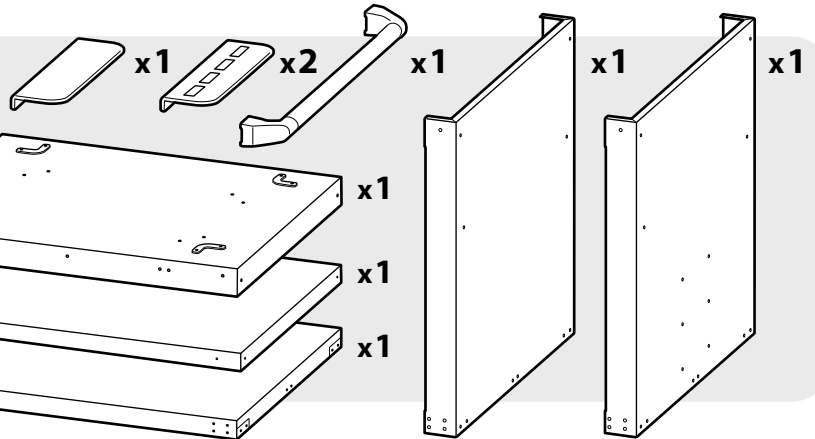
**x2**



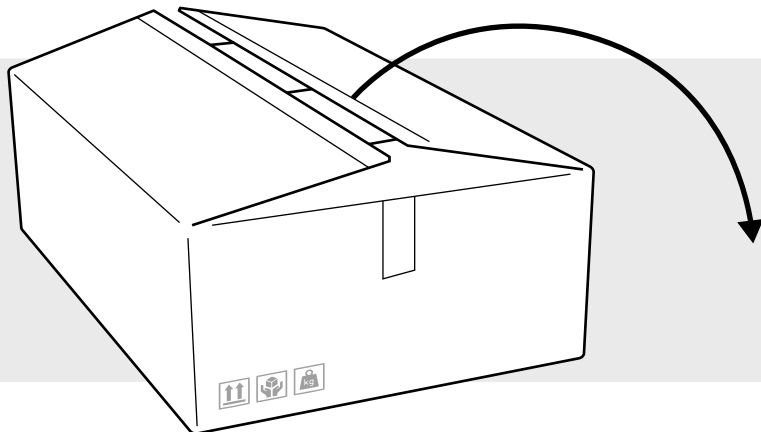
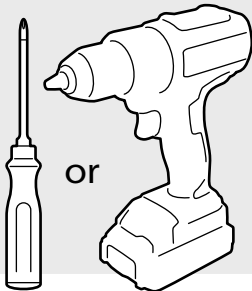
**x2**



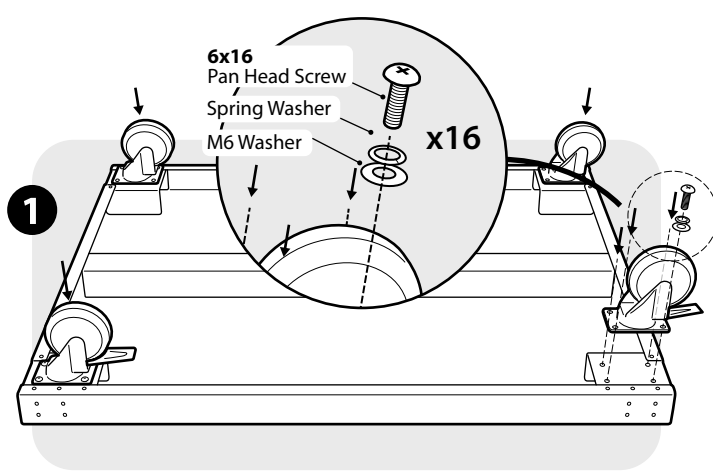
**x2**



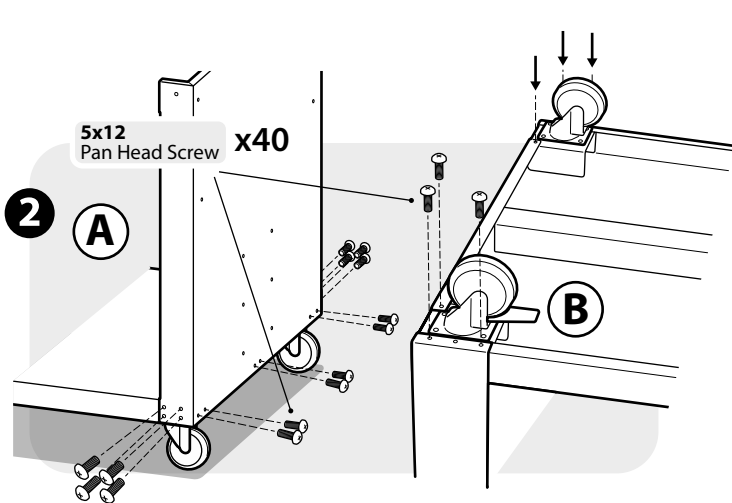
### TOOLS NEEDED



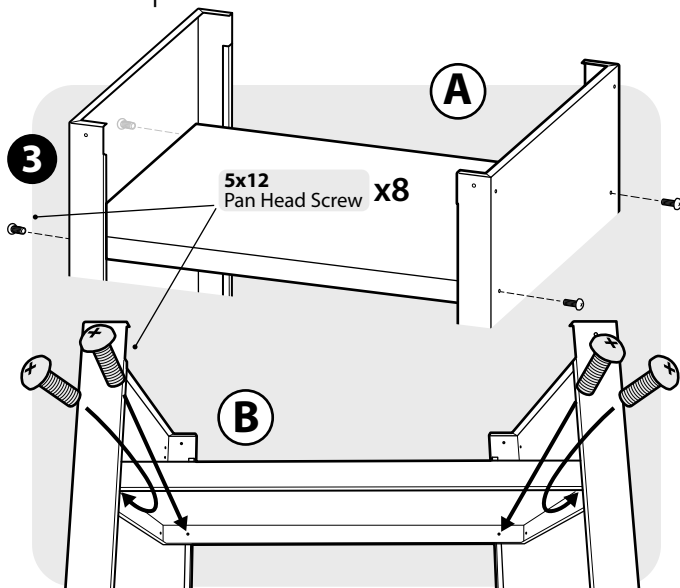
Open the package from the top and take inventory of all the parts.



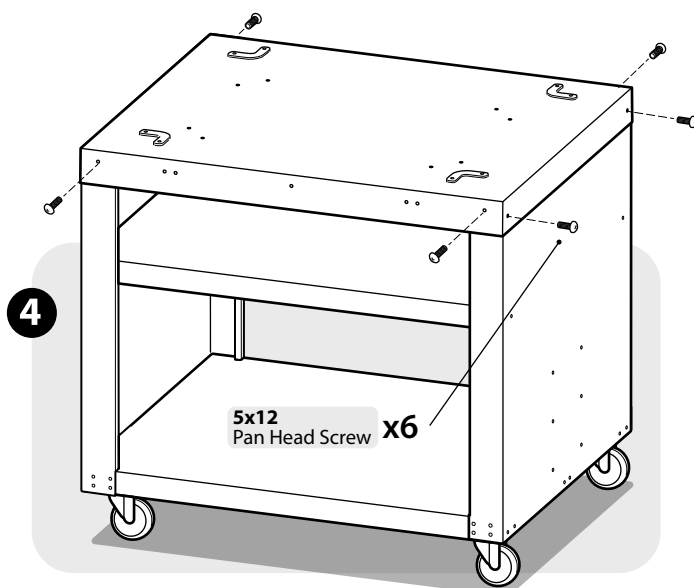
Flip the cart base and attach the casters with the locking casters at the front using the provided screws and washers.



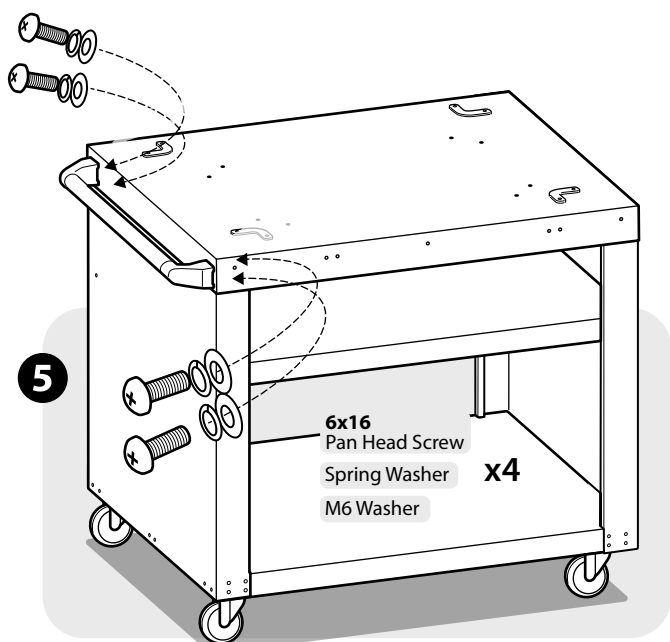
**A.** Flip the base and lock the front wheels. Then, attach the left and right side panels using the screws provided.  
**B.** Install screws under the cart as shown. If needed, lay the cart on the side to complete this step.



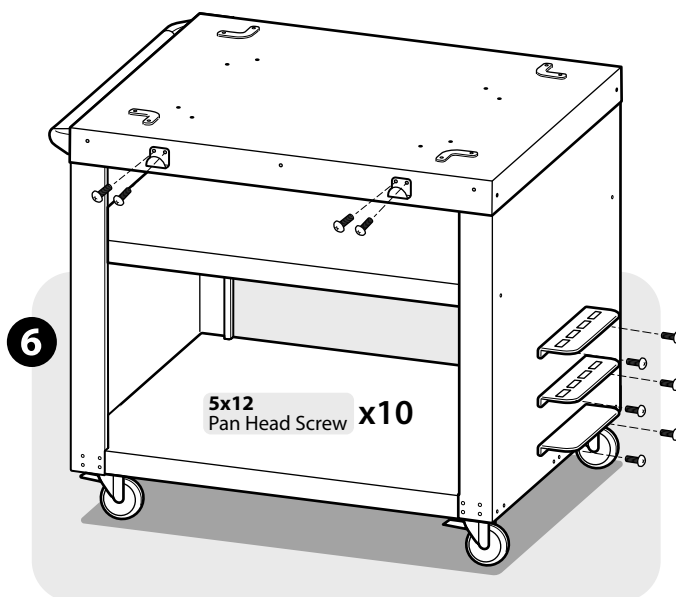
**A.** Install the middle shelf and secure it in place by installing screws on each side.  
**B.** Install screws under the shelf as shown.



Place the top on the cart and attach it using the screws provided.



Attach the handle to the cart using the screws and washers provided.



Finally, attach the tool holder and brackets to complete the assembly.