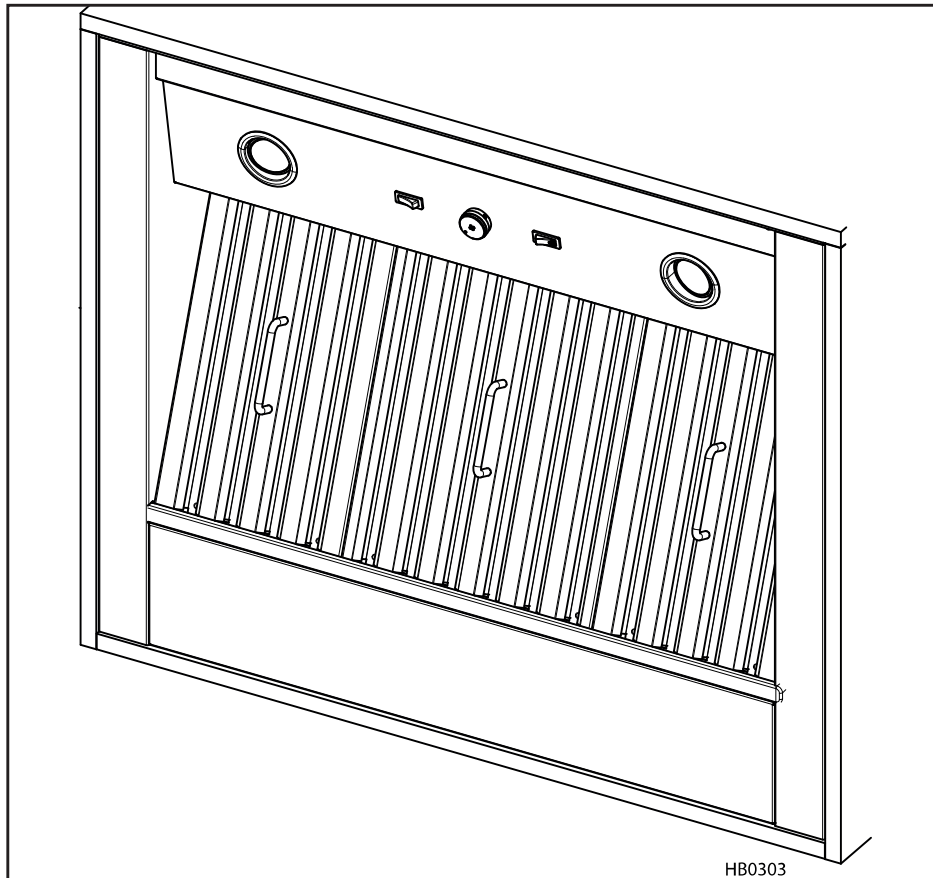




C1LINER SERIES INSTALLATION INSTRUCTIONS



⚠ INTENDED FOR OUTDOOR DOMESTIC COOKING ONLY ⚠

READ AND SAVE THESE INSTRUCTIONS

INSTALLER: LEAVE THIS MANUAL WITH HOMEOWNER.
HOMEOWNER: USE AND CARE INFORMATION ON PAGES 8 AND 9.

COYOTE OUTDOOR LIVING, INC.

www.coyoteoutdoor.com



WARNING

TO REDUCE THE RISK OF FIRE, ELECTRIC SHOCK OR INJURY TO PERSONS, OBSERVE THE FOLLOWING:

1. Use this unit only in the manner intended by the manufacturer. If you have questions, contact the manufacturer at the address or telephone number listed in the warranty.
2. Before servicing or cleaning unit, switch power off at service panel and lock service disconnecting means to prevent power from being switched on accidentally. When the service disconnecting means cannot be locked, securely fasten a prominent warning device, such as a tag, to the service panel.
3. Installation work and electrical wiring must be done by qualified personnel in accordance with all applicable codes and standards, including fire-rated construction codes and standards.
4. Sufficient air is needed for proper combustion and exhausting of gases through the flue (chimney) of fuel burning equipment to prevent backdrafting. Follow the heating equipment manufacturer's guidelines and safety standards such as those published by the National Fire Protection Association (NFPA) and the American Society for Heating, Refrigeration and Air Conditioning Engineers (ASHRAE) and the local code authorities.
5. When cutting or drilling into wall or ceiling, do not damage electrical wiring and other hidden utilities.
6. Ducted fans must always be vented to the outdoors.
7. Do not use this unit with any solid-state speed control device.
8. To reduce the risk of fire, use only metal ductwork.
9. This unit must be grounded and protected by a GFCI.
10. Suitable for use in damp locations only when installed in a GFCI-protected branch-circuit.
11. This unit is not designed to be used with a charcoal grill.
12. When applicable local regulations comprise more restrictive installation and/or certification requirements, the aforementioned requirements prevail on those of this document and the installer agrees to conform to these at his own expenses.

TO REDUCE THE RISK OF A RANGE TOP GREASE FIRE:

- a) Never leave surface units unattended at high settings. Boilovers cause smoking and greasy spillovers that may ignite. Heat oils slowly on low or medium settings.
- b) Always turn power pack ON when cooking at high heat or when flambeing food (i.e.: Crêpes Suzette, Cherries Jubilee, Peppercorn Beef Flambé).
- c) Clean ventilating fans frequently. Grease should not be allowed to accumulate on fan, filters or in exhaust ducts.
- d) Use proper pan size. Always use cookware appropriate for the size of the surface element.

WARNING

TO REDUCE THE RISK OF INJURY TO PERSONS IN THE EVENT OF A RANGE TOP GREASE FIRE, OBSERVE THE FOLLOWING*:

1. SMOTHER FLAMES with a close-fitting lid, cookie sheet or metal tray, then turn off the burner. BE CAREFUL TO PREVENT BURNS. IF THE FLAMES DO NOT GO OUT IMMEDIATELY, EVACUATE AND CALL THE FIRE DEPARTMENT.
2. NEVER PICK UP A FLAMING PAN — You may be burned.
3. DO NOT USE WATER, including wet dishcloths or towels — This could cause a violent steam explosion.
4. Use an extinguisher ONLY if:
 - A. You own a Class ABC extinguisher and you know how to operate it.
 - B. The fire is small and contained in the area where it started.
 - C. The fire department has been called.
 - D. You can fight the fire with your back to an exit.

* Based on "Kitchen Fire Safety Tips" published by NFPA.

CAUTION

1. For general ventilating use only. Do not use to exhaust hazardous or explosive materials and vapors.
2. To avoid motor bearing damage and noisy and/or unbalanced impellers, keep drywall spray, construction dust, etc. off the power pack.
3. Your power pack motor has a thermal overload which will automatically shut off the motor if it becomes overheated. The motor will restart when it cools down. If the motor continues to shut off and restart, have the power pack serviced.
4. The power pack must be installed at least 36" above the cooking surface.
5. Two installers are recommended because of the large size and weight of this unit.
6. To reduce the risk of fire and to properly exhaust air, be sure to duct air outside — Do not exhaust air into spaces within walls or ceiling or into attics, crawl space or garage.
7. This product is equipped with a thermostat which may start blower automatically. To reduce the risk of injury and to prevent power from being switched on accidentally, switch power off at service panel and lock or tag service panel.
8. To reduce the risk of fire and electrical shock, the C1LINER Series models should only be installed with the C1BLOW1200 INTERNAL BLOWER. Other blowers cannot be substituted.
9. Please read specification label on product for further information and requirements.

1. PREPARE THE INSTALLATION

NOTE: Before proceeding to the installation, check the contents of the box. If items are missing or damaged, contact the manufacturer.

Make sure that the following items are included:

- Power Pack
- Accessories
 - Baffle filters with handles
 - 10" round adapter
 - Bag of parts including: 1 wire clamp, 2 waterproof wire connectors, 9 no. 8 x 5/8" type A screws, 2 no. 8-18 x 3/8" screws, 1 suction cup.

Parts sold separately:

- Blower assembly model C1BLOW1200.

2. INSTALL THE DUCTWORK AND ELECTRICAL WIRING

⚠ WARNING

When performing installation, servicing or cleaning the unit, it is recommended to wear safety glasses and gloves. This power pack is not designed for use with a charcoal grill.

CAUTION

This range hood is intended for outdoor covered patio or lanai area. As with all electric appliances, this unit must be protected from the effects of the weather.

These power packs must be installed with the C1BLOW1200 blower (sold separately). Do not substitute for an other blower.

Plan where and how the ductwork will be installed. A straight, short duct run will allow the hood to perform most efficiently.

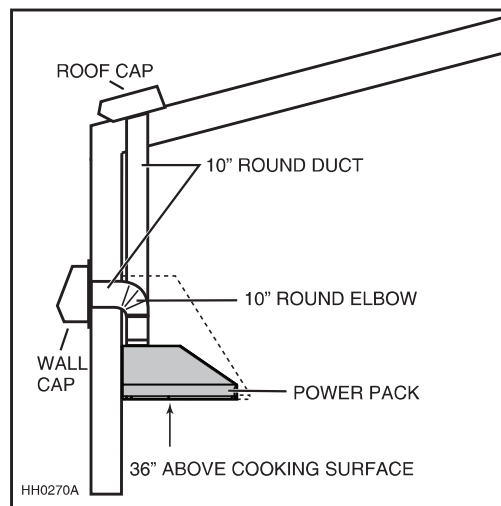
Install 10-inch ductwork, elbows and roof or wall cap. Connect metal ductwork to the cap and work back towards the hood location. Use 2" metal foil duct tape to seal the joints.

Run 3-wire power supply cable to installation location.

⚠ WARNING

The power cable must be a GFCI protected branch circuit.

The power pack must be installed at least 36" above the cooking surface



3. CUSTOM HOOD PREPARATION

⚠ WARNING

When building a custom hood, always follow all applicable construction codes and standards.

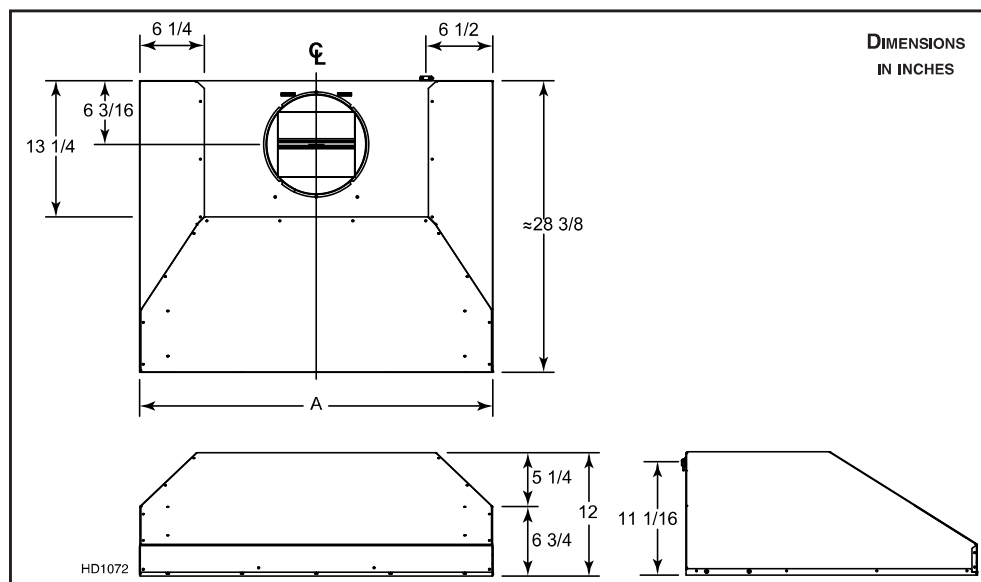
⚠ WARNING

The custom wood hood must be positively secured to wall studs or other wooden framework behind the wall. Make sure it is capable of supporting its own weight and the weight of the power pack. Failure to do so may cause personal injury or damage to surfaces below.

The custom hood must be constructed to fit the size and shape of the power pack. See chart and illustration below for details.

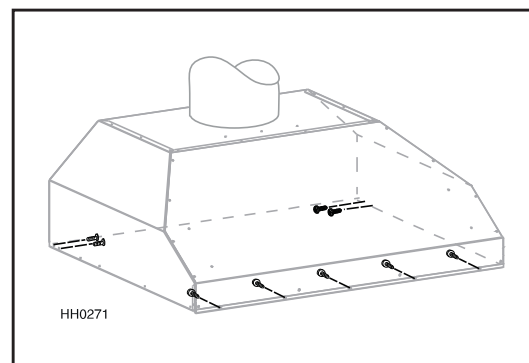
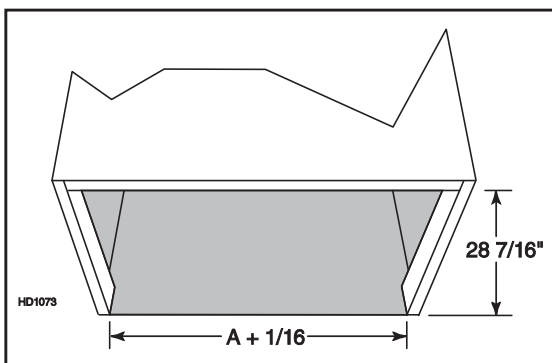
SIZE	TOTAL WEIGHT	POWER PACK WIDTH (A)*
36"	66 LB.	34 7/16"
42"	73 LB.	40 7/16"
48"	80 LB.	46 7/16"

*Includes rivet heads.



Since the power pack mounting holes are located on the front and rear sides, plan to install a wood frame in the front and sides to support the power pack using the screws provided in the parts bag.

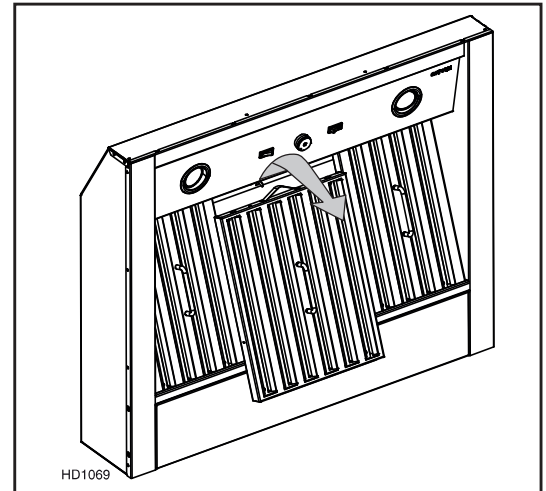
For an aesthetic gap around the power pack, **measure the actual width of the power pack and add 1/16"**



4. REMOVE THE FILTERS

Remove the tape from the filters. Remove the filters from the power pack, and set aside.

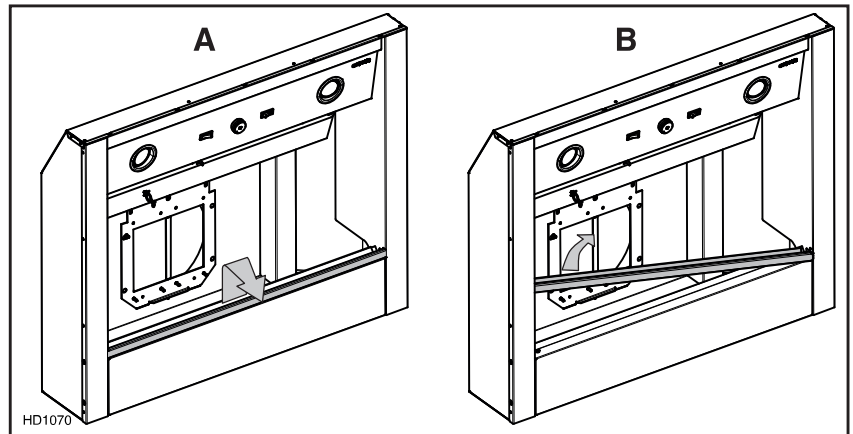
It is recommended to start with the center one(s).



5. REMOVE THE GREASE DRIP RAIL

A. Lift and rotate the grease drip rail to disengage it from the bottom panel.

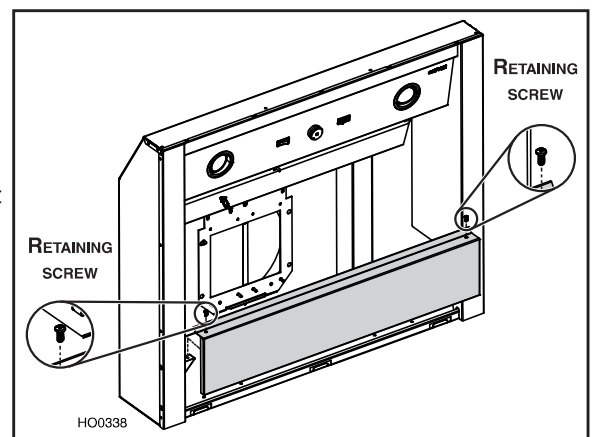
B. Slide grease drip rail all the way to the left or right and lift the opposite end to disengage the other end from the bottom panel. Remove it from the power pack and set aside for later use.



6. REMOVE THE BOTTOM PANEL

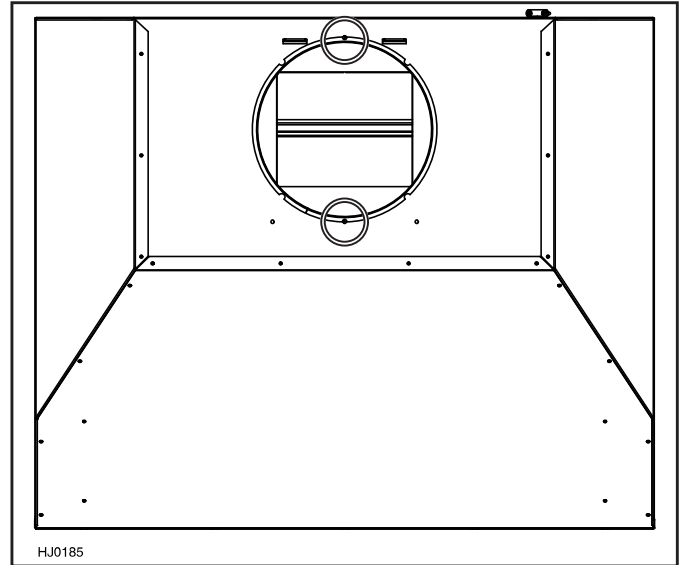
Using a Phillips screwdriver, remove both bottom panel retaining screws and set aside.

Disassemble bottom panel from power pack and set aside.



7. INSTALL THE ADAPTER

Remove the 10-inch round adapter from inside the power pack, and install it on the top using 2 no. 8-18 x 3/8" Phillips screws, and the small notches around the adapter.



8. CONNECT WIRING

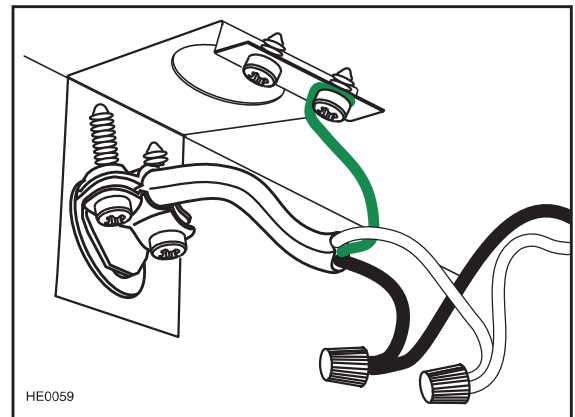
⚠ WARNING

Risk of electric shock. Electrical wiring must be done by qualified personnel in accordance with all applicable codes and standards. Before connecting wires, switch power off at service panel and lock service disconnecting means to prevent power from being switched on accidentally.

From inside the power pack, remove the wiring box cover by removing both retaining screws and set aside. Install the wire clamp included in the parts bag in the electrical hole in the back of the hood.

Position the power pack below the installed custom hood.

Insert the house wiring cable through the wire clamp, and tighten the wire clamp to secure the cable. Connect the cable into wiring box using waterproof wire connectors. Connect BLACK to BLACK, WHITE to WHITE and GREEN or bare wire under GREEN ground screw. **DO NOT FORGET TO CONNECT THE GROUND.** Reinstall wiring box cover, making sure not to pinch wires.



WATERPROOF WIRE CONNECTORS INSTRUCTIONS:

1. Strip wires 3/8".
2. Align frayed strands or conductors.
3. Do not pre-twist. Place stripped wires together with ends even, but lead smaller stranded wires slightly ahead of larger solid or stranded wire.
4. Twist connector onto wires pushing firmly until hand-tight. DO NOT over torque.
5. When inserting wires into connectors, some sealant may leak out. Wipe off excess sealant in and around conductors. DO NOT REUSE.

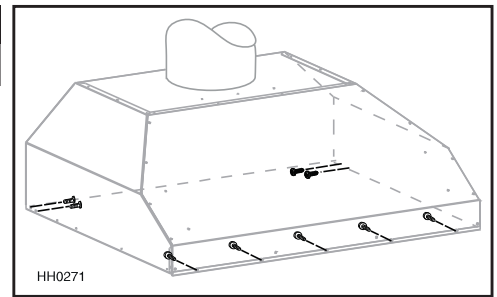
9. INSTALL THE POWER PACK

CAUTION

Take care not to kink ducting when installing the power pack.

Using the provided no. 8 x 5/8" screws, install the power pack inside the custom hood. Start with 2 screws in the front corners, then install 4 screws for the sides and use the remaining screws to finalize securing the front power pack. (See figure at right for mounting screw specific locations.)

Make sure the adapter enters the ducting. When there is access to the top of the power pack, seal connections with metal foil duct tape.



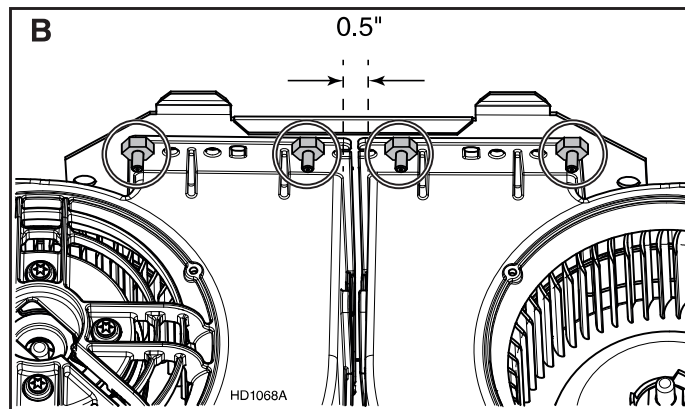
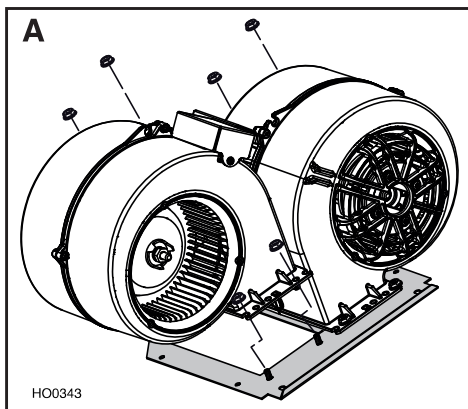
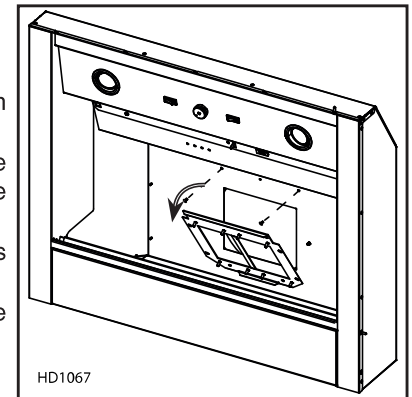
10. INSTALL THE BLOWER IN THE POWER PACK

To install the C1BLOW1200 dual blower inside the power pack, first remove the blower plate from inside the power pack, and lay it on a protected surface.

Mount both blowers on the blower plate using 8 hexagonal nuts included with the blowers (see illustration A). Make sure that both holes in the blower plate are entirely covered by the blowers. The blowers should be 0.5 inch apart (see illustration B).

To install the blower plate and blowers into the power pack, insert the blower plate tabs into the slots and reinstall both nuts previously removed to secure the blower plate to the power pack.

Connect the blower power cord to the power pack, and tie the blower power cord using the preinstalled twist tie.



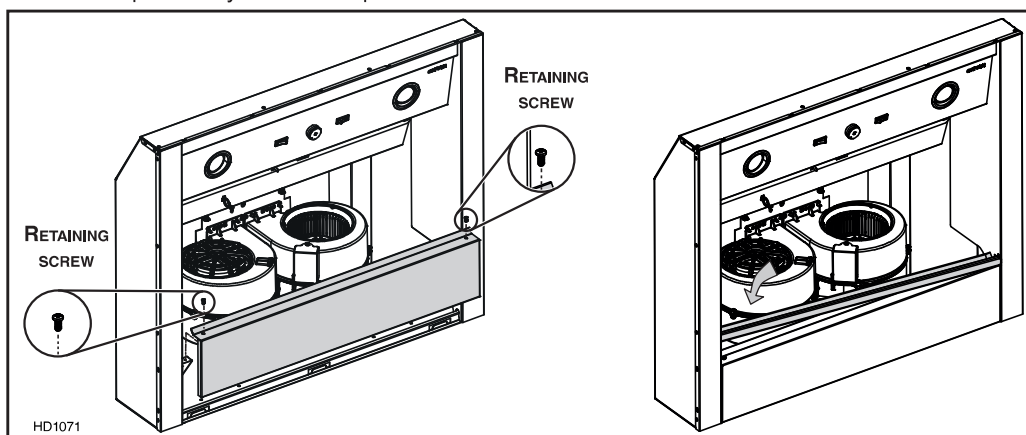
11. REINSTALL THE BOTTOM PANEL AND GREASE DRIP RAIL

CAUTION

Remove the protective plastic film covering the bottom panel and the grease drip rail before reinstalling them.

Reinstall the bottom panel using the screws removed previously and a Phillips screwdriver.

Reinstall the drip grease rail.



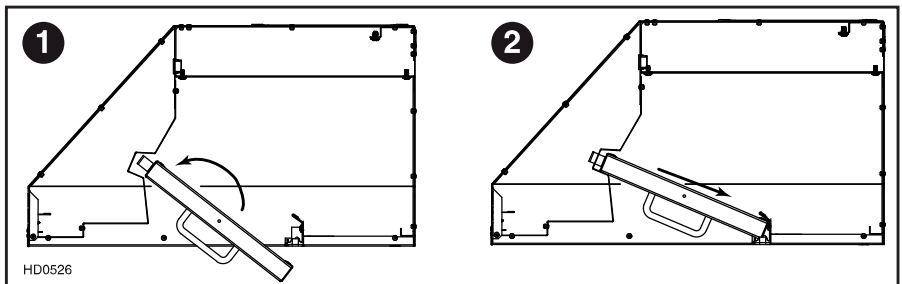
12. REINSTALL THE FILTERS

CAUTION

Remove the protective plastic film covering the filters before installing them.

It is recommended to install side filters first and to finish with center one(s).

1. Insert the end with the spring of the baffle filter into the front channel of the power pack.
2. Raise the other end toward the inside of power pack and insert in the grease drip rail of the power pack.



13. OPERATION

BLOWER

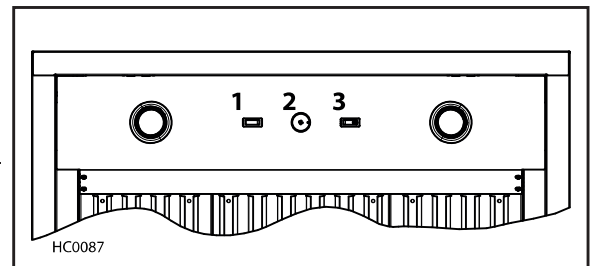
The blower is operated using two controls.

Use the on/off rocker switch (1) to start and stop the blower. When turned ON, the switch turns red and the blower operates at the speed set by the speed control knob (2).

Turn the speed control knob counterclockwise to increase blower speed – clockwise to decrease speed.

COOKTOP LIGHTING (HALOGEN)

Use the on/off rocker switch (3) to turn the halogen lights ON or OFF.



- 1) ON/OFF blower switch
- 2) Blower speed control knob
- 3) Halogen light switch

HEAT SENTRY™

This power pack is equipped with a Heat Sentry™ thermostat. This thermostat is a device that will turn on the blower to high speed if it senses excessive heat above the cooking surface.

- 1) If blower is OFF - it turns blower ON to high speed.
- 2) If blower is already ON - it sets blower on high speed.

⚠ WARNING

The HEAT SENTRY can start the blower during a range top fire or other excessive heat situations even if the power pack is turned off. In this case, it is impossible to turn the blower OFF using control panel switch. To stop the blower, disconnect blower cord plug.

When the temperature drops to normal, the blower will return to its original setting.

14. USE AND CARE

Baffle Filters

The baffle filters should be cleaned frequently. Use a warm detergent solution. Wash more often if your cooking style generates greater grease — like frying foods or wok cooking.

Remove baffle filters by pushing them towards the front of power pack and rotating filters downward. Baffle filters are dishwasher safe. Allow filters to dry completely before reinstalling them in the power pack.

Clean all-metal filters in the dishwasher using a non-phosphate detergent. Discoloration of the filter may occur if using phosphate detergent or as a result of local water conditions — but this will not affect filter performance. This discoloration is not covered by the warranty.

Grease Drip Rail

The grease drip rail should be cleaned frequently. Remove it from the power pack and use a warm detergent solution. As with the baffle filters, wash more often if your cooking style generates greater grease — like frying foods or wok cooking. Allow the grease drip rail to dry completely before reinstalling it in the power pack.

General cleaning instructions

Stainless steel cleaning:

Do:	Don't:
<ul style="list-style-type: none">Regularly wash with clean cloth or rag soaked with warm water and mild soap or liquid dish detergent.Always clean in the direction of original polish lines.Always rinse well with clear water (2 or 3 times) after cleaning. Wipe dry completely.You may also use a specialized household stainless steel cleaner.	<ul style="list-style-type: none">Use any steel or stainless steel wool or any other scrapers to remove stubborn dirt.Use any harsh or abrasive cleansers.Allow dirt to accumulate.Let plaster dust or any other construction residues reach the power pack. During construction/renovation, cover the power pack to make sure no dust sticks to stainless steel surface.

Avoid when choosing a detergent:

- Any cleaners that contain **bleach** will attack stainless steel.
- Any products containing: **chloride, fluoride, iodide, bromide** will deteriorate surfaces rapidly.
- Any combustible products used for cleaning such as **acetone, alcohol, ether, benzol**, etc., are highly explosive and should never be used close to a range.

15. LIGHT BULBS REPLACEMENT

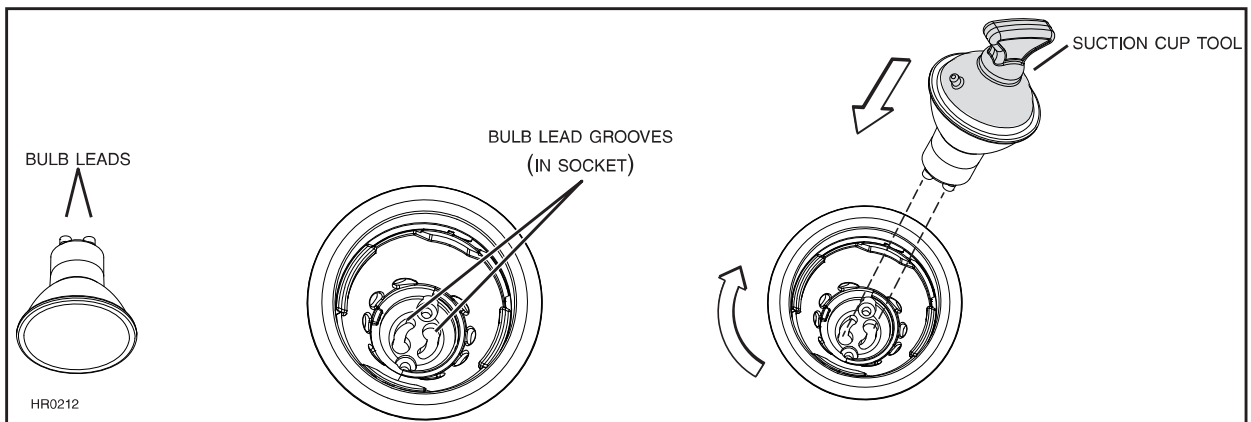
This power pack is equipped with two 120 V, 50 W, MR16 with GU10 base, shielded halogen bulbs.

⚠ WARNING

Do not touch lamps during or soon after operation. Burns may occur. In order to prevent the risk of personal injury, only install shielded halogen lamps. Also, never install a cool beam, a dichroic lamp, a lamp not suitable for use in recessed luminaires or identified for use in enclosed fixtures.

To remove the bulbs, press suction cup tool (included in parts bag) on bulb and rotate counterclockwise to disengage the bulb leads from their grooves.

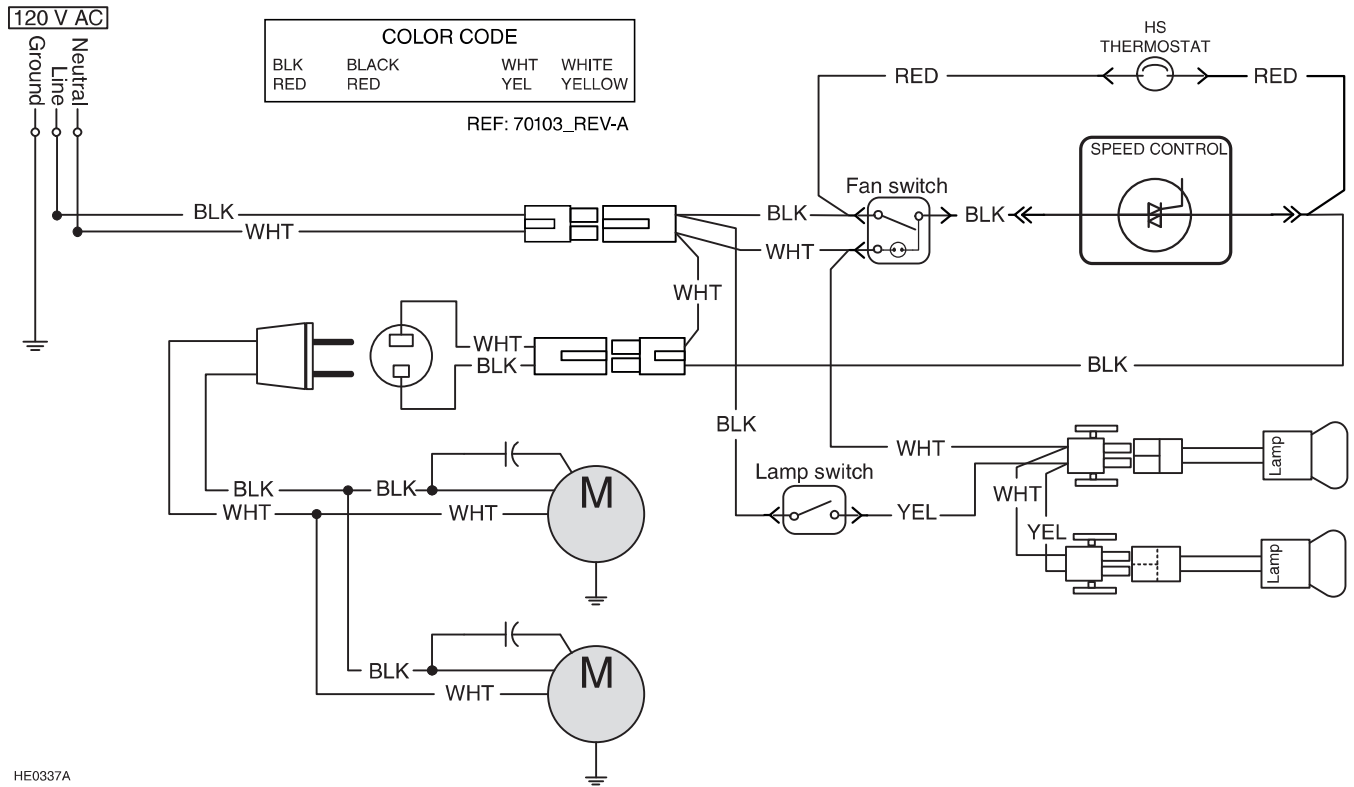
Install the new bulbs by placing the bulb leads into their grooves in the socket. Gently push upwards and turn clockwise until secure.



16. WIRING DIAGRAM

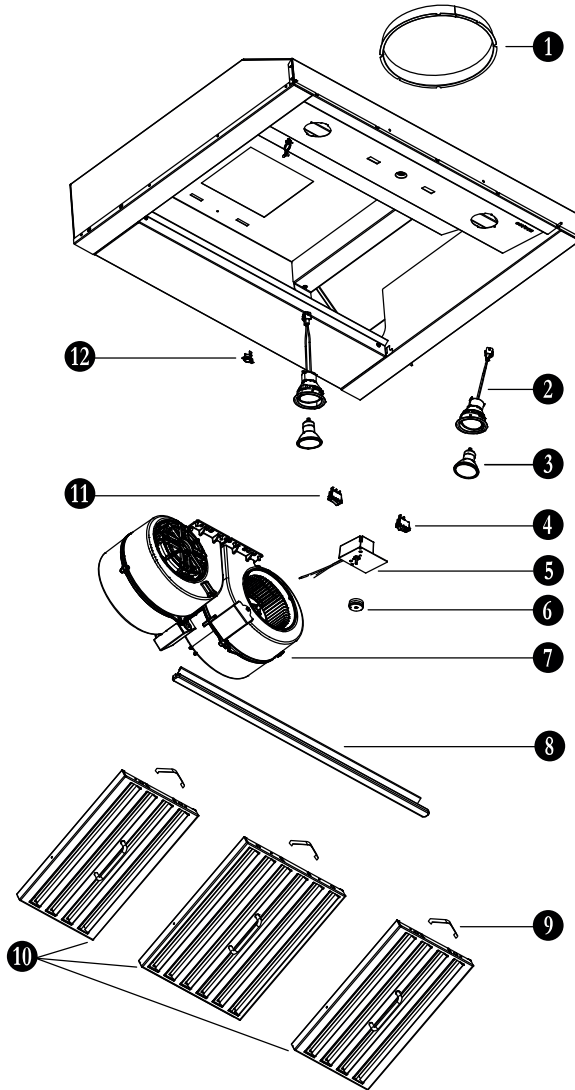
⚠ WARNING

Risk of electrical shock. Electrical wiring must be done by qualified personnel in accordance with all applicable codes and standards. Before connecting wires, switch power off at service panel and lock service disconnecting means to prevent power from being switched on accidentally.



HE0337A

17. SERVICE PARTS



REPLACEMENT PARTS AND REPAIRS

In order to ensure your unit remains in good working condition, you must use Coyote Outdoor Living Inc. genuine replacement parts only. Coyote Outdoor Living Inc. genuine replacement parts are specially designed for each unit and are manufactured to comply with all the applicable certification standards and maintain a high standard of safety. Any third party replacement part used may cause serious damage and drastically reduce the performance level of your unit, which will result in premature failing. Coyote Outdoor Living Inc. recommends to contact our Customer Service Department at 855-520-1559 for all replacement parts and service questions.

KEY NO.	PART NO.	DESCRIPTION	QUANTITY		
			36"	42"	48"
1	SV08541	10" ROUND ADAPTER	1	1	1
2	SV16569	LIGHT SOCKET AND TRIM ASSEMBLY	2	2	2
3	SV05921	GU10 HALOGEN BULB	2	2	2
4	SV02563	LIGHT ROCKER SWITCH	1	1	1
5	SV03501	BLOWER SPEED CONTROL	1	1	1
6	SV08549	BLOWER SPEED CONTROL KNOB	1	1	1
7	C1BLOW1200*	BLOWER ASSEMBLY	1	1	1
8	SV65734	GREASE RAIL FOR 36-IN.-WIDE POWER PACK	1	0	0
	SV65735	GREASE RAIL FOR 42-IN.-WIDE POWER PACK	0	1	0
	SV65736	GREASE RAIL FOR 48-IN.-WIDE POWER PACK	0	0	1
9	SV08337	SPRINGS FOR BAFFLE FILTERS (SET OF 6)	1	1	1
10	SV60675	BAFFLE FILTER WITH SPRING 11.84" x 15.125"	1	3	2
	SV60716	BAFFLE FILTER WITH SPRING 8.84" x 15.125"	2	0	2
11	SV03503	BLOWER ROCKER SWITCH	1	1	1
12	SV03435	HEAT SENTRY™ THERMOSTAT	1	1	1
**	SV23645	PARTS BAG: 1 WIRE CLAMP, 2 WATERPROOF WIRE CONNECTORS, 9 NO. 8 x 5/8" TYPE A SCREWS, 2 NO. 8-18 x 3/8" SCREWS, 1 SUCTION CUP.	1	1	1

* PART SOLD SEPARATELY

** NOT SHOWN

18. WARRANTY

TO THE MAXIMUM EXTENT PERMITTED BY LAW, THIS LIMITED WARRANTY AND THE REMEDIES SET FORTH BELOW ARE EXCLUSIVE AND IN LIEU OF ALL OTHER WARRANTIES, REMEDIES AND CONDITIONS, WHETHER ORAL OR WRITTEN, EXPRESS OR IMPLIED. TO THE MAXIMUM EXTENT PERMITTED BY LAW, COYOTE OUTDOOR LIVING, INC. ALSO SPECIFICALLY DISCLAIMS ANY AND ALL IMPLIED WARRANTIES, INCLUDING, WITHOUT LIMITATION, WARRANTIES OF MERCHANTABILITY AND FITNESS FOR A PARTICULAR PURPOSE.

Coyote Outdoor Living, Inc. issues this limited warranty to the original purchaser at the original site of delivery with proof of purchase and specifically warrants that the Outdoor Ventilation Hood or Liner, when subject to normal residential use, will be free from defects in workmanship and materials for one year from the date of original purchase. This limited warranty is not transferable and specifically excludes any ventilation product used in a commercial setting, where anyone other than the original purchaser (homeowner) would be using and maintaining the product. This limited warranty specifically excludes all issues that may arise from surface corrosion, scratches, and discoloration during regular use. It also does not extend to fluorescent lamp starters, tubes, halogen and incandescent bulbs, fuses, filters, ducts, roof caps, wall caps and other accessories for ducting. This limited warranty does **NOT COVER LABOR OR LABOR RELATED CHARGES** and there will be shipping and handling charges for the delivery of any needed part(s).

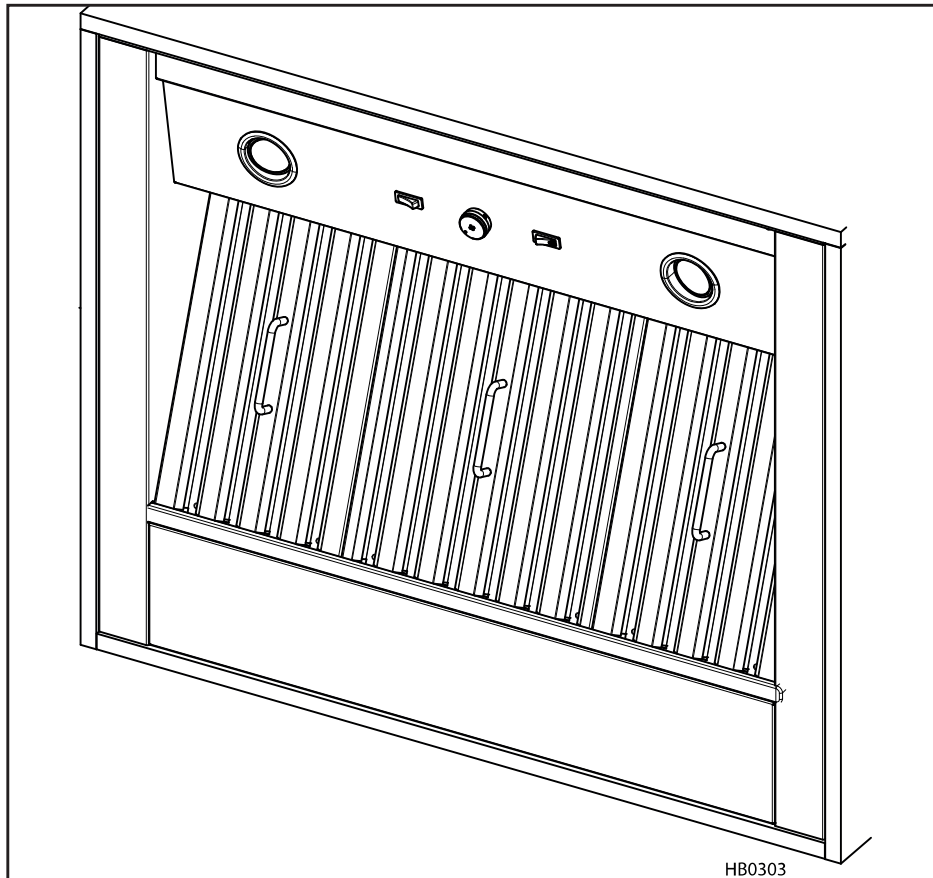
Coyote Outdoor Living, Inc.'s obligation under this limited warranty is limited solely to repair or replacement, at our option, of the pertinent component during the warranty period, and the extent of any liability of Coyote Outdoor Living, Inc. under this warranty is limited to repair or replacement. This limited warranty does not cover normal wear of parts or damage resulting from any of the following: negligent use or misuse of the product, improper maintenance or repair, faulty installation, use contrary to operating instructions, or alteration by any person other than a factory service center. The above warranty periods are not extended by any repair or replacement.

WARRANTY CLAIM PROCEDURE: If you require service or parts for your Coyote Grill, please contact our Warranty Service Center for factory direct assistance. Our hours of operation are 8 am to 4:30 pm CST. The phone number is 855.520.1559 and the email address is support@coyoteoutdoor.com. You may also fill out warranty claims online at www.coyoteoutdoor.com. Please have your model number, serial number and proof of purchase available for any warranty claim.

Coyote Outdoor Living, Inc. may require the return of defective parts for examination before issuing replacement parts. If you are required to return defective parts, shipping charges must be prepaid by the customer. Upon examination and to Coyote Outdoors determination, if the original part is proven defective, Coyote Outdoor may approve your claim and elect to replace such parts without charge. In every instance, the customer is responsible for shipping and handling of replacement parts. Component repair or replacement is the exclusive remedy under this limited warranty and Coyote Outdoor shall not be liable for any incidental or consequential damages.

This limited warranty does not cover any failures or operating difficulties due to accidents, abuse, misuse, alteration, misapplication, vandalism, improper installation, maintenance or service, or damages caused by flashback fire or grease fire. This limited warranty does not cover scratches, dents, corrosion or discoloration caused by weather, heat, abrasive and chemical cleaners, pool or spa chemicals, and/or any tools used in the assembly or installation of this unit. This limited warranty does not cover paint loss, surface rust, corrosion or stainless steel discoloration which is considered normal wear and tear. This limited warranty does not cover the cost of any inconvenience, personal injury, or property damage due to improper use or product failure. Deterioration or damage due to severe weather conditions such as hail, hurricanes, earthquakes, tsunamis, tornadoes, terrorism, discoloration due to exposure to chemicals either directly or in the atmosphere, Acts of God/forces of Nature are not covered by this limited warranty.

INSTRUCTIONS D'INSTALLATION HOTTES ENCASTRABLES SÉRIE C1LINER



⚠ CONÇUES POUR UN USAGE DOMESTIQUE EXTÉRIEUR SEULEMENT ⚠

LIRE ET CONSERVER CES DIRECTIVES

INSTALLATEUR : LAISSER CE GUIDE AU PROPRIÉTAIRE.
PROPRIÉTAIRE : DIRECTIVES D'UTILISATION ET D'ENTRETIEN
EN PAGES 8 ET 9.

COYOTE OUTDOOR LIVING, INC.

www.coyoteoutdoor.com

⚠ AVERTISSEMENT

AFIN DE RÉDUIRE LES RISQUES D'INCENDIE, D'ÉLECTROCUTION OU DE BLESSURES CORPORELLES, SUIVEZ LES DIRECTIVES SUIVANTES :

1. N'utilisez cet appareil que de la façon prévue par le fabricant. Si vous avez des questions, contactez le fabricant à l'adresse ou au numéro de téléphone indiqués dans la garantie.
2. Avant de réparer ou de nettoyer l'appareil, couper l'alimentation électrique en verrouillant le panneau de distribution afin d'éviter sa remise en marche accidentelle. Si le panneau de distribution ne peut être verrouillé, y fixer un avertissement en évidence, telle qu'une étiquette de couleur vive.
3. Les travaux d'installation et de raccordement électrique doivent être effectués par une personne qualifiée, conformément aux codes et aux standards de construction, incluant ceux concernant la protection contre les incendies.
4. Une quantité d'air adéquate est requise afin d'assurer une bonne combustion et l'évacuation des gaz par la cheminée dans le cas des équipements alimentés au gaz afin de prévenir les retours de cheminée. Conformez-vous aux instructions et aux standards de sécurité des fabricants d'équipement de chauffage, tel qu'ils sont publiés par la National Fire Protection Association (NFPA) et l'American Society for Heating, Refrigeration and Air Conditioning Engineers (ASHRAE) ainsi que les responsables des codes locaux.
5. Veillez à ne pas endommager le câblage électrique ou d'autres équipements non apparents lors de la découpe ou du perçage du mur ou du plafond.
6. Les ventilateurs avec conduits doivent toujours évacuer l'air à l'extérieur.
7. Ne pas utiliser cet appareil avec une commande de vitesse à semiconducteur additionnelle.
8. Afin de réduire les risques d'incendie, n'utilisez que des conduits de métal.
9. Cet appareil doit être mis à la terre et protégé par un DDFT (disjoncteur de fuite à la terre).
10. Convient à une utilisation dans des lieux humides seulement lorsqu'elle est raccordée à un DISJONCTEUR DE FUITE À LA TERRE (DDFT).
11. Cet appareil n'est pas conçu pour être utilisé avec un barbecue au charbon de bois.
12. Lorsqu'une réglementation est en vigueur et qu'elle comporte des exigences d'installation et/ou de certification plus restrictives, lesdites exigences prévalent sur celles de ce document et l'installateur entend s'y conformer à ses frais.

AFIN DE RÉDUIRE LES RISQUES DE FEU DE CUISINIÈRE :

- a) Ne jamais laisser les appareils de cuisson sans surveillance lorsqu'ils sont réglés à feu vif. Les débordements engendrent de la fumée et des déversements gras pouvant s'enflammer. Chauffez l'huile lentement, à feu doux ou moyen.
- b) Mettez toujours la hotte en marche lorsque vous cuisinez à feu vif ou que vous cuisinez des mets flambés (par ex. : crêpes Suzette, cerises jubilé, steaks au poivre flambés).
- c) Nettoyez régulièrement la (les) roue(s) du ventilateur. Ne laissez pas la graisse s'accumuler sur le ventilateur, les filtres ou les conduits d'évacuation.
- d) Utilisez le bon format de casserole. Servez-vous toujours de casseroles et d'ustensiles appropriés à la dimension de la surface chauffante.

⚠ AVERTISSEMENT

AFIN D'ÉVITER TOUT RISQUE DE BLESSURES LORS D'UN FEU DE CUISINIÈRE, SUIVEZ CES DIRECTIVES* :

1. Éteignez les flammes avec un couvercle hermétique, une tôle à biscuits ou un plateau métallique et ensuite, éteindre le brûleur. PRENEZ SOIN D'ÉVITER les brûlures. SI LES FLAMMES NE S'ÉTEIGNENT PAS IMMÉDIATEMENT, ÉVACUEZ LES LIEUX ET APPELEZ LES POMPIERS.
2. NE PRENEZ JAMAIS UNE CASSEROLE EN FLAMMES DANS VOS MAINS. Vous pourriez vous brûler.
3. N'UTILISEZ PAS D'EAU, incluant un linge à vaisselle ou une serviette mouillée, cela pourrait occasionner une violente explosion de vapeur.
4. N'utilisez un extincteur QUE DANS LE CAS OÙ :
 - A. Vous savez qu'il s'agit d'un extincteur de classe ABC et que vous en connaissez le fonctionnement.
 - B. Le feu est petit et limité à l'endroit où il a débuté.
 - C. Les pompiers ont été avisés.
 - D. Vous pouvez combattre l'incendie en ayant accès à une sortie de secours.

*Tirées du Kitchen Fire Safety Tips publié par la NFPA.

ATTENTION

1. Pour usage domestique seulement. Ne pas utiliser pour évacuer des vapeurs ou des matières dangereuses ou explosives.
2. Afin d'éviter tout dommage au moteur et de débalancer ou de rendre bruyantes les roues de moteurs, garder votre appareil à l'abri des poussières de gypse et de construction/rénovation, etc.
3. Le moteur de votre hotte possède une protection thermique qui éteindra automatiquement le moteur s'il devient surchauffé. Le moteur redémarrera automatiquement une fois refroidi. Si le moteur continue à arrêter et à redémarrer, faites-le vérifier.
4. Pour une meilleure évacuation des odeurs de cuisson, le bas de votre hotte doit être situé à une distance de 36 po au-dessus de la surface de cuisson.
5. Deux installateurs sont recommandés lors de l'installation vu la grande dimension et le poids de cet appareil.
6. Afin de réduire les risques d'incendie, assurez-vous d'évacuer l'air à l'extérieur. Ne pas évacuer l'air dans des espaces restreints comme l'intérieur des murs ou plafond ou dans le grenier, faux plafond ou garage.
7. Cet appareil est équipé d'un thermostat pouvant faire démarrer le ventilateur automatiquement. Afin de réduire le risque de blessure, couper le courant à partir du panneau électrique et le verrouiller ou apposer un avertissement sur le panneau afin de prévenir que la hotte ne soit mise en marche accidentellement.
8. Afin de réduire les risques d'incendie et d'électrocution, la hotte encastrable Coyote de série C1LINER doit être installée uniquement avec le ventilateur intérieur C1BLOW1200 (vendu séparément). Aucun autre ventilateur ne doit être utilisé.
9. Veuillez consulter l'autocollant apposé à l'intérieur du produit pour plus d'information ou autres exigences.

1. PRÉPARER L'INSTALLATION

NOTE: Vérifier le contenu de la boîte avant de procéder à l'installation. Si des articles sont endommagés ou manquants, contacter le fabricant.

S'assurer que les articles suivants sont inclus :

- Hotte encastrable
- Accessoires
 - Filtres à chicanes avec poignées
 - Adaptateur 10 po rond
 - Sac de pièces: 1 serre-fils, 2 capuchons de connexion étanches, 9 vis type A n° 8 x 5/8 po, 2 vis n° 8-18 x 3/8 po, 1 ventouse.

Pièce vendue séparément:

- Ensemble ventilateur C1BLOW1200.

2. INSTALLER LES CONDUITS ET LE CÂBLAGE ÉLECTRIQUE

⚠ AVERTISSEMENT

Il est recommandé de porter des lunettes et des gants de sécurité lors de l'installation, de l'entretien et de la réparation de cet appareil. Cette hotte n'est pas conçue pour être utilisée avec un barbecue au charbon de bois.

ATTENTION

Cette hotte est conçue pour être utilisée sur un patio couvert ou une véranda. Comme tous les électroménagers, cet appareil doit être à l'abri des intempéries.

Ces hottes encastrables doivent être munies de l'ensemble ventilateur C1BLOW1200 (vendu séparément). N'utiliser aucun autre modèle de ventilateur.

Planifier le réseau de conduit. Des conduits courts et droits permettront un maximum d'efficacité.

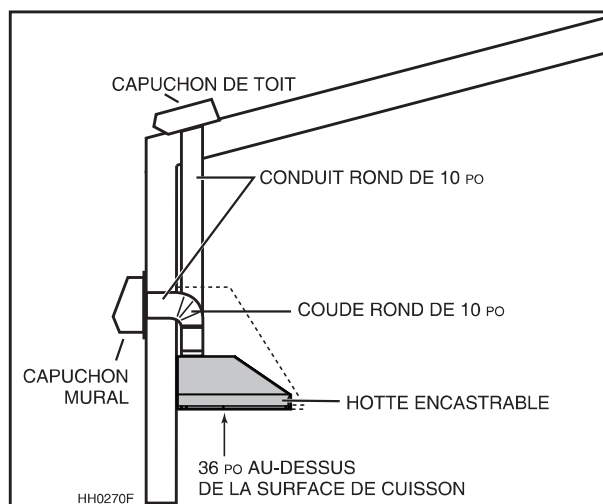
Installer des conduits, coudes et capuchon de toit de 10 po. Raccorder les conduits de métal au capuchon, puis acheminer le conduit jusqu'à l'emplacement de la hotte encastrable. Sceller les joints avec du ruban adhésif de métal de 2 po de largeur.

⚠ AVERTISSEMENT

Le fil d'alimentation électrique doit être raccordé à un disjoncteur de fuite à la terre (DDFT).

Acheminer un câble d'alimentation électrique à 3 conducteurs jusqu'à l'emplacement de la hotte.

La hotte encastrable doit être installée à au moins 36 po au-dessus de la surface de cuisson.



3. PRÉPARATION DE L'ARMOIRE POUR HOTTE

⚠ AVERTISSEMENT

Toujours suivre les codes et standards en vigueur lors de la construction de l'armoire pour hotte.

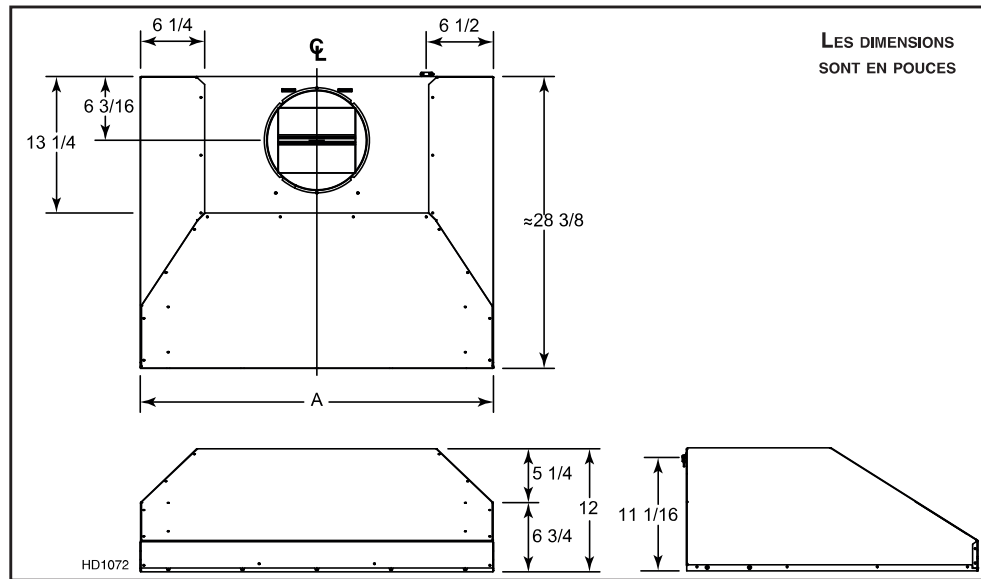
⚠ AVERTISSEMENT

La charpente de bois doit être fixée solidement aux montants ou autre structure derrière la cloison. S'assurer qu'elle puisse supporter son propre poids en plus de celui de la hotte encastrable. Ne pas suivre cette directive peut entraîner des blessures corporelles ou des dommages aux surfaces situées en dessous.

Construire l'armoire pour hotte en fonction des dimensions et du poids de la hotte encastrable. Consulter le tableau et les schémas ci-dessous pour plus de détails.

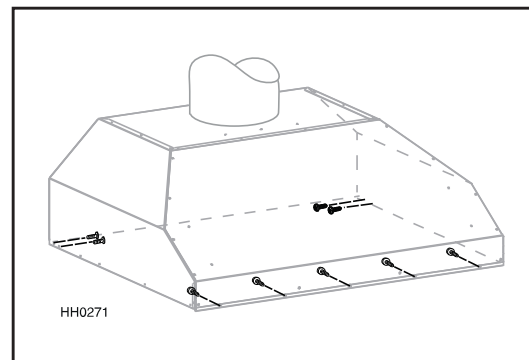
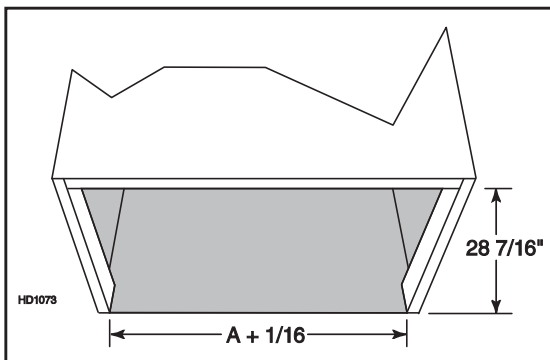
FORMAT	POIDS TOTAL	LARGEUR DE LA HOTTE ENCASTRABLE (A)*
36 PO	66 LB	34 7/16 PO
42 PO	73 LB	40 7/16 PO
48 PO	80 LB	46 7/16 PO

*Incluant les têtes de rivets.



Puisque les trous de fixation de la hotte encastrable sont situés sur le devant et les côtés de celle-ci, prévoir un cadrage de bois à l'avant et sur les côtés. Cela permettra de fixer la hotte encastrable solidement au moyen des vis fournies.

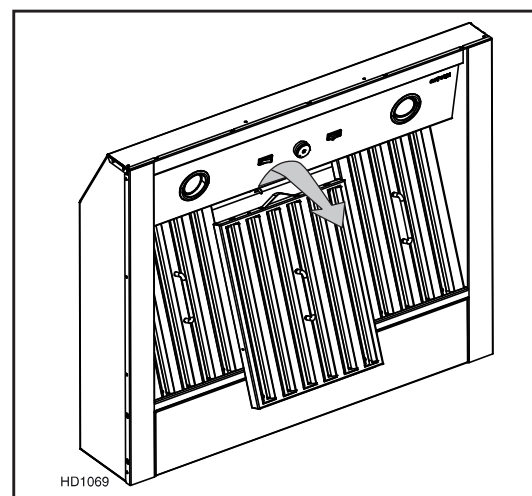
Afin d'éviter des espaces trop larges entre la hotte encastrable et l'armoire, **mesurer la largeur de la hotte encastrable, puis ajouter 1/16 po.**



4. RETIRER LES FILTRES

Retirer le ruban adhésif des filtres, puis retirer les filtres de la hotte encastrable et les mettre de côté.

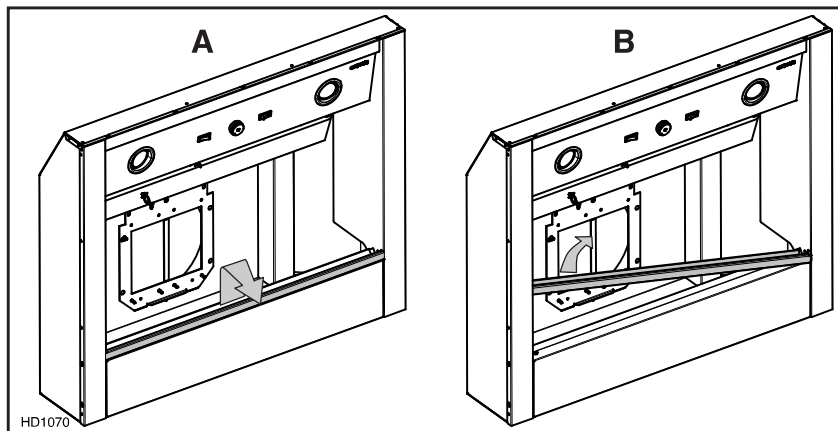
Il est recommandé de commencer avec le filtre (ou les filtres) du centre.



5. RETIRER LA GOUTTIÈRE

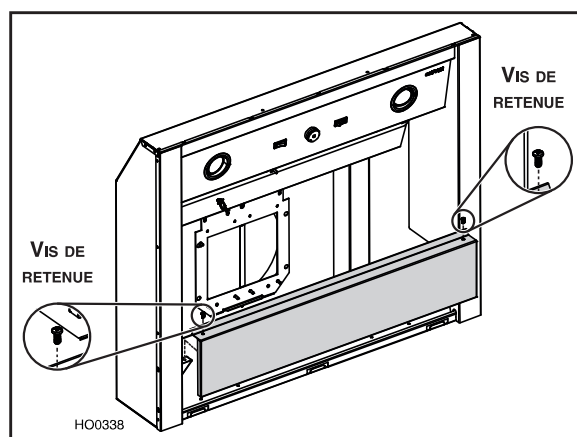
A. Soulever en tournant la gouttière pour la dégager du panneau inférieur.

B. Glisser un des côtés de la gouttière et soulever l'autre pour dégager la gouttière du panneau inférieur. Mettre la gouttière de côté.



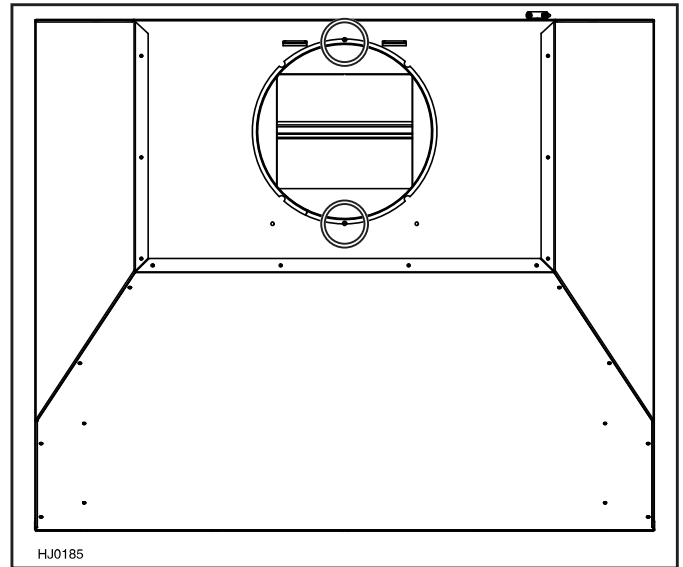
6. RETIRER LE PANNEAU INFÉRIEUR

À l'aide d'un tournevis Phillips, retirer les deux vis retenant le panneau inférieur. Retirer le panneau inférieur de la hotte encastrable, puis le mettre de côté avec les vis.



7. INSTALLER L'ADAPTATEUR

Retirer l'adaptateur 10 po rond de l'intérieur de la hotte encastrable, puis l'installer sur le dessus de celle-ci à l'aide de 2 vis Phillips n° 8-18 x 3/8 po et des petites encoches dans le pourtour de l'adaptateur.



8. BRANCHEMENT ÉLECTRIQUE

⚠ AVERTISSEMENT

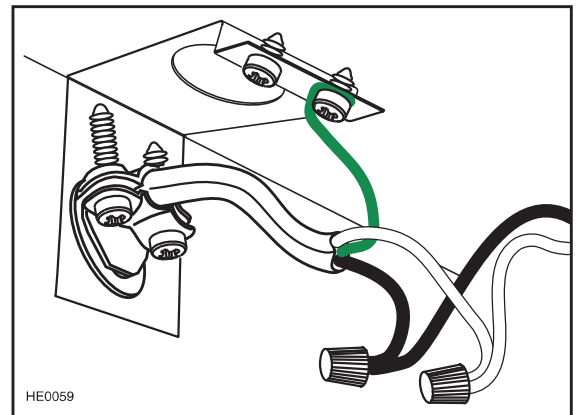
Risque d'électrocution. Le branchement électrique doit être effectué par du personnel qualifié conformément aux codes et aux standards en vigueur. Avant d'effectuer le branchement, coupez l'alimentation électrique au panneau de distribution et verrouillez-le pour éviter une mise en marche accidentelle.

Depuis l'intérieur de la hotte, retirer les 2 vis de retenue du couvercle du compartiment électrique, puis retirer ce dernier. Installer le serre-fils dans le trou prévu à cet effet au dos de la hotte encastrable.

Placer la hotte encastrable sous l'armoire où son installation est prévue.

Insérer le câble électrique dans la hotte encastrable par le passe-fils, puis serrer celui-ci. Effectuer le branchement électrique à l'aide des connecteurs étanches fournis. Connecter le fil NOIR au fil NOIR, le fil BLANC au fil BLANC et le fil VERT ou dénudé à la vis de mise à la terre. **NE PAS OUBLIER DE CONNECTER LA MISE À LA TERRE.**

Réinstaller le couvercle du compartiment électrique, en s'assurant de ne pas pincer les fils.



DIRECTIVES POUR L'UTILISATION DES CAPUCHONS DE CONNEXION ÉTANCHES :

1. Dégainer les fils d'une longueur de 3/8 po.
2. Égaliser les brins ou les conducteurs.
3. Ne pas les tordre. Rapprocher les fils et mettre leurs bouts égaux, sauf pour les fils à brins plus petits, lesquels doivent dépasser légèrement des fils plus gros.
4. Insérer les fils dans le capuchon de connexion en poussant légèrement et tordre. NE PAS trop tordre.
5. Un peu de scellant pourrait s'échapper lors de l'insertion des fils dans le capuchon de connexion. Essuyer l'excès de scellant autour des conducteurs. NE PAS RÉUTILISER.

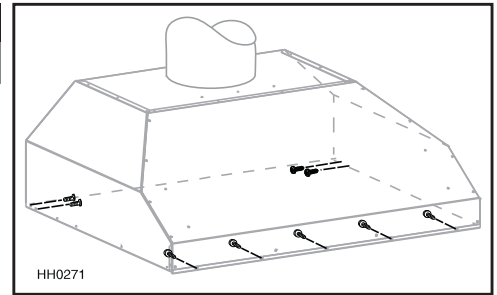
9. INSTALLER LA HOTTE ENCASTRABLE

ATTENTION

Prendre soin de ne pas gauchir les conduits en installant la hotte encastrable.

À l'aide des vis n° 8 x 5/8 po fournies, installer la hotte dans son armoire. Commencer par les vis des coins avant gauche et droit, puis visser les 4 vis des côtés. Utiliser les vis restantes pour fixer l'avant de la hotte encastrable. (Voir l'illustration ci-contre pour l'emplacement spécifique des vis de montage.)

S'assurer que l'adaptateur entre dans le conduit. Si l'accès au dessus de la hotte encastrable est ouvert, sceller le joint avec du ruban adhésif de métal.



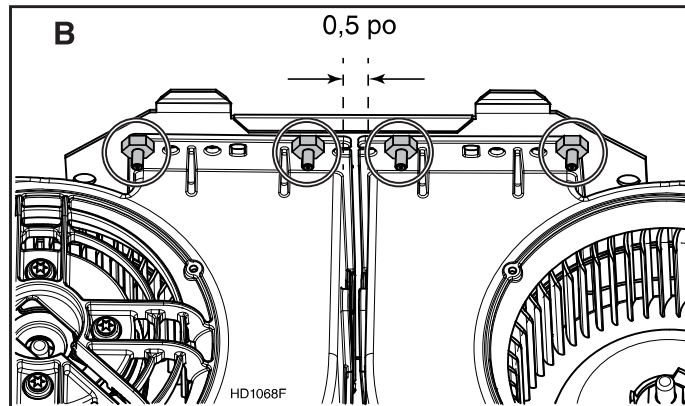
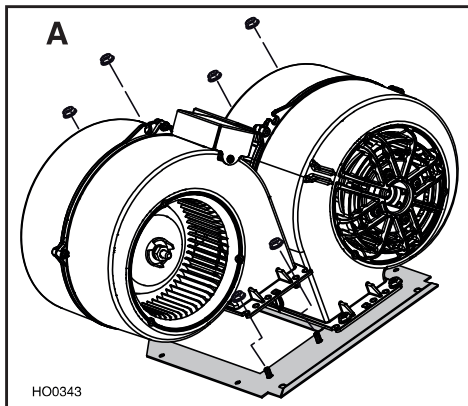
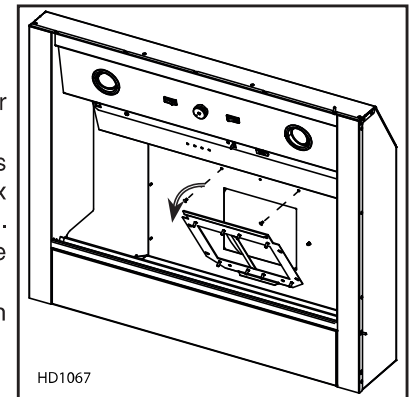
10. INSTALLER LE VENTILATEUR DANS LA HOTTE ENCASTRABLE

Pour installer le ventilateur double C1BLOW1200 à l'intérieur de la hotte encastrable, commencer par retirer la plaque ventilateur de l'intérieur de celle-ci et la déposer sur une surface protégée.

Assembler les deux ventilateurs sur la plaque à l'aide de 8 écrous hexagonaux inclus avec les ventilateurs (voir l'illustration A). S'assurer que les ventilateurs couvrent entièrement les deux ouvertures de la plaque; les ventilateurs doivent être distants de 0,5 po l'un de l'autre (voir l'illustration B).

Remettre en place la plaque ventilateur avec les ventilateurs dans la hotte en insérant les pattes de la plaque dans les fentes et fixer la plaque à la hotte à l'aide des 2 écrous retirés précédemment.

Brancher le cordon d'alimentation du ventilateur dans la hotte, puis attacher le câble d'alimentation à l'aide de l'attache installée en usine.



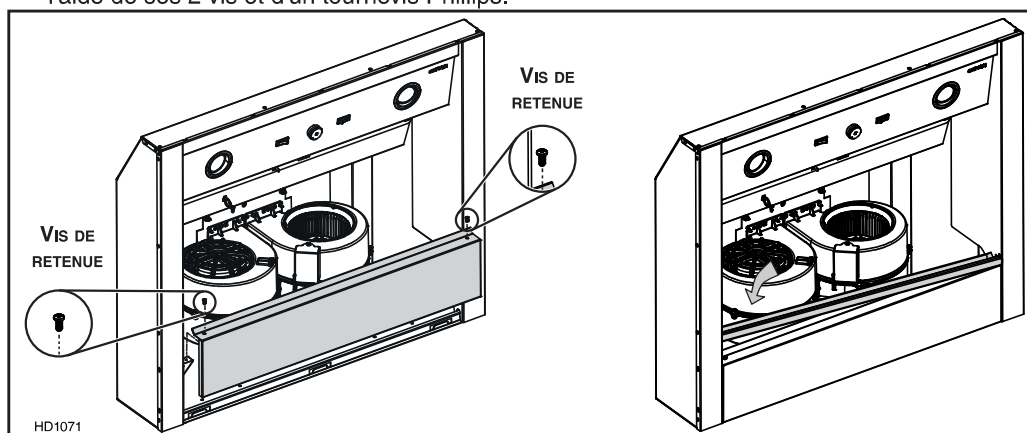
11. RÉINSTALLER LE PANNEAU INFÉRIEUR ET LA GOUTTIÈRE

ATTENTION

Retirer la pellicule de plastique protectrice du panneau inférieur et de la gouttière avant de les remettre en place.

Réinstaller le panneau inférieur retiré précédemment et le fixer à la hotte encastrable à l'aide de ses 2 vis et d'un tournevis Phillips.

Réinstaller la gouttière.



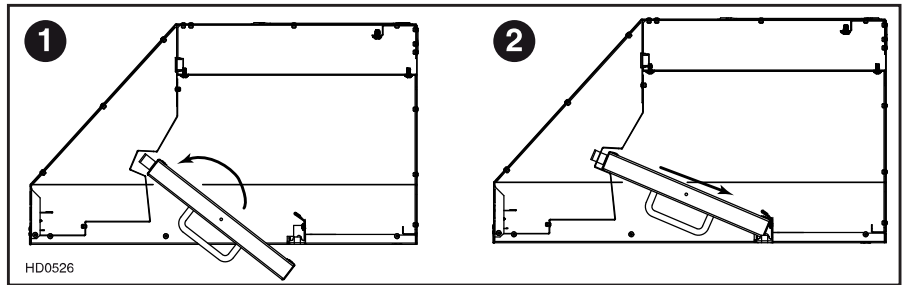
12. RÉINSTALLER LES FILTRES

ATTENTION

Retirer la pellicule de plastique protectrice des filtres avant de les remettre en place.

Il est recommandé d'installer d'abord les filtres situés aux extrémités et de terminer par le(s) filtre(s) du centre.

1. Introduire l'extrémité du filtre ayant le ressort dans le rail avant de la hotte encastrable.
2. Lever l'autre bout du filtre à l'intérieur de la hotte encastrable et l'introduire dans la gouttière.



13. FONCTIONNEMENT

VENTILATEUR

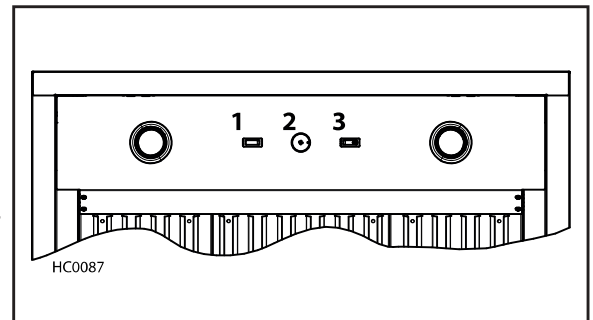
Le ventilateur fonctionne à l'aide de 2 commandes.

Utiliser l'interrupteur à bascule MARCHE/ARRÊT (1) pour activer et arrêter le ventilateur. Lorsque l'interrupteur est à la position marche, sa lumière rouge s'allume et le ventilateur fonctionne à la vitesse réglée par le bouton de la commande de vitesse (2).

Tourner le bouton de la commande de vitesse dans le sens antihoraire pour augmenter la vitesse du ventilateur et dans le sens horaire pour ralentir sa vitesse.

ÉCLAIRAGE DE LA SURFACE DE CUISSON (HALOGÈNE)

Utiliser l'interrupteur à bascule MARCHE/ARRÊT (3) pour allumer et éteindre les lumières.



- 1) Interrupteur MARCHE/ARRÊT du ventilateur
- 2) Bouton de commande de vitesse du ventilateur
- 3) Interrupteur d'éclairage halogène

HEAT SENTRY^{MC}

Cette hotte encastrable est équipée d'un thermostat Heat Sentry. Ce thermostat est un dispositif qui mettra en marche le ventilateur en haute vitesse s'il détecte de la chaleur excessive au-dessus de la surface de cuisson.

- 1) Si le ventilateur n'est pas en marche, il activera le ventilateur en haute vitesse.
- 2) Si le ventilateur est déjà en marche, le ventilateur passera en haute vitesse.

⚠ AVERTISSEMENT

Le HEAT SENTRY peut mettre le ventilateur en marche même s'il est arrêté. Si tel est le cas, il est impossible d'arrêter le ventilateur avec son interrupteur. Si vous devez arrêter le ventilateur, débrancher le cordon d'alimentation du ventilateur.

Lorsque la température revient à la normale, le ventilateur retourne à sa vitesse d'origine.

14. ENTRETIEN

Filtres à chicane

Les filtres à chicane doivent être nettoyés fréquemment. Utiliser une solution d'eau chaude et de détergent. Nettoyer les filtres à chicane souvent si vos habitudes de cuisson génèrent beaucoup de graisse, comme la friture ou les aliments sautés au wok. Les filtres à chicane sont lavables au lave-vaisselle.

Retirer les filtres à chicane en les poussant vers l'avant de la hotte et en les retournant vers le bas. Laisser les filtres sécher complètement avant de les réinstaller dans la hotte encastrable.

Nettoyer les filtres fabriqués entièrement de métal au lave-vaisselle à l'aide d'un détergent sans phosphate. L'utilisation d'un détergent avec phosphate ainsi que les conditions locales de l'eau peuvent entraîner une décoloration des filtres, sans toutefois affecter leur performance. Cette décoloration n'est pas couverte par la garantie.

Gouttière

La gouttière doit être nettoyée fréquemment. La retirer de la hotte encastrable et se servir d'une solution d'eau chaude et de détergent. Comme pour les filtres à chicane, la nettoyer plus souvent si vos habitudes de cuisson génèrent plus de graisse, comme par exemple la friture ou les aliments sautés au wok. Essuyer complètement la gouttière avant de la remettre en place.

Nettoyage de la hotte encastrable

Acier inoxydable :

À faire :	À ne pas faire :
<ul style="list-style-type: none">• Laver régulièrement les surfaces à l'aide d'un chiffon ou linge propre imbibé d'eau tiède et de savon doux ou de détergent liquide à vaisselle.• Toujours nettoyer dans le sens du polissage.• Toujours bien rincer avec de l'eau claire (2 à 3 fois) et essuyer complètement.• Un nettoyeur domestique conçu spécialement pour l'acier inoxydable peut aussi être utilisé.	<ul style="list-style-type: none">• Ne pas utiliser de laine d'acier ou d'acier inoxydable ou tout autre grattoir pour enlever la saleté tenace.• Ne pas utiliser une poudre nettoyante abrasive ou rugueuse.• Ne pas laisser la saleté s'accumuler.• Ne pas laisser la poussière de plâtre ou tout autre résidu de construction atteindre la hotte. Couvrir la hotte pour la durée des travaux afin de s'assurer qu'aucune poussière n'atteigne la hotte.

À éviter lors du choix d'un détergent :

- Tous produits nettoyants contenant des **agents de blanchiment**; ils attaqueront l'acier inoxydable.
- Tous produits contenant du **chlorure**, du **fluorure**, de l'**iode** ou du **bromure**; ils détérioreront rapidement les surfaces.
- Tous produits combustibles utilisés pour le nettoyage : **acétone**, **alcool**, **éther**, **benzène**, etc.; ils sont grandement explosifs et ne devraient jamais être utilisés près d'une cuisinière.

15. REMPLACEMENT DES AMPOULES

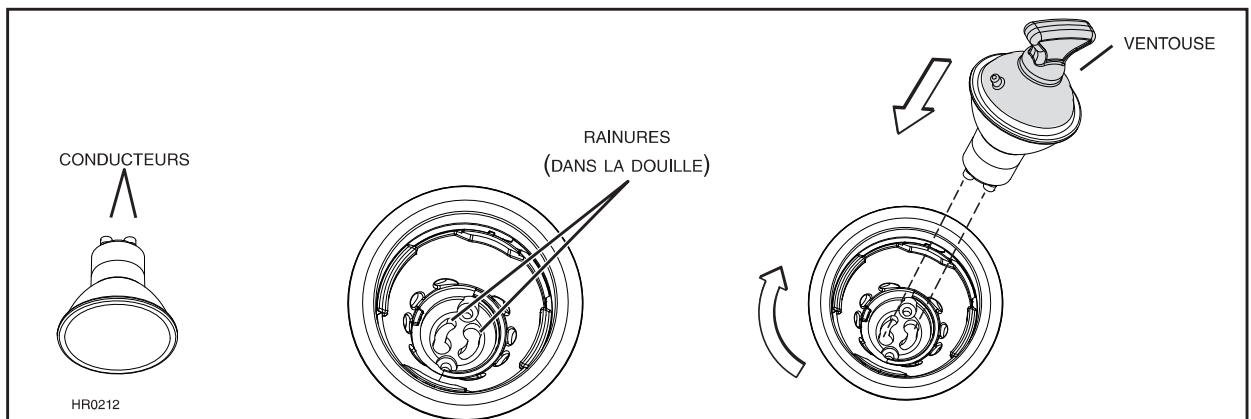
L'éclairage de cette hotte encastrable est produit par des ampoules halogènes avec écran de 120 V, 50 W, MR16 à culot GU10.

⚠ AVERTISSEMENT

Ne pas toucher aux lampes durant ou peu après leur utilisation. Peuvent causer des brûlures. Afin de réduire le risque de blessures corporelles, n'installer que des ampoules halogènes avec écran. Aussi, ne jamais installer une ampoule à faisceau froid, dichroïque, non conçue pour des luminaires encastrés ou conçue uniquement pour des luminaires fermés.

Pour retirer les ampoules, appuyer la ventouse (incluse dans le sac de pièces de la hotte) sur l'ampoule et tourner dans le sens antihoraire pour dégager les conducteurs de l'ampoule des rainures de la douille.

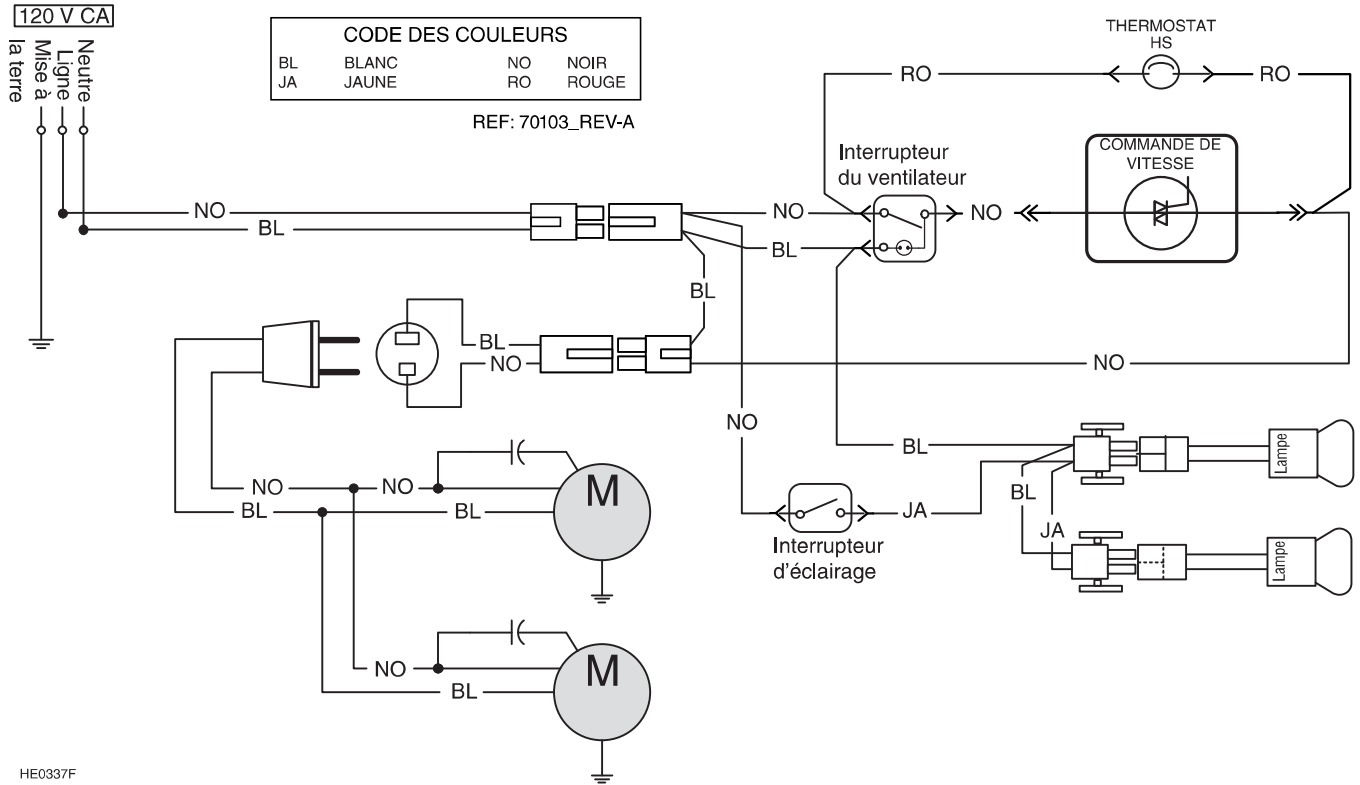
Installer les nouvelles ampoules en glissant les conducteurs dans les rainures à l'intérieur de la douille. Pousser doucement vers le haut et tourner dans le sens horaire jusqu'à ce que l'ampoule soit bien en place.



16. SCHÉMA ÉLECTRIQUE

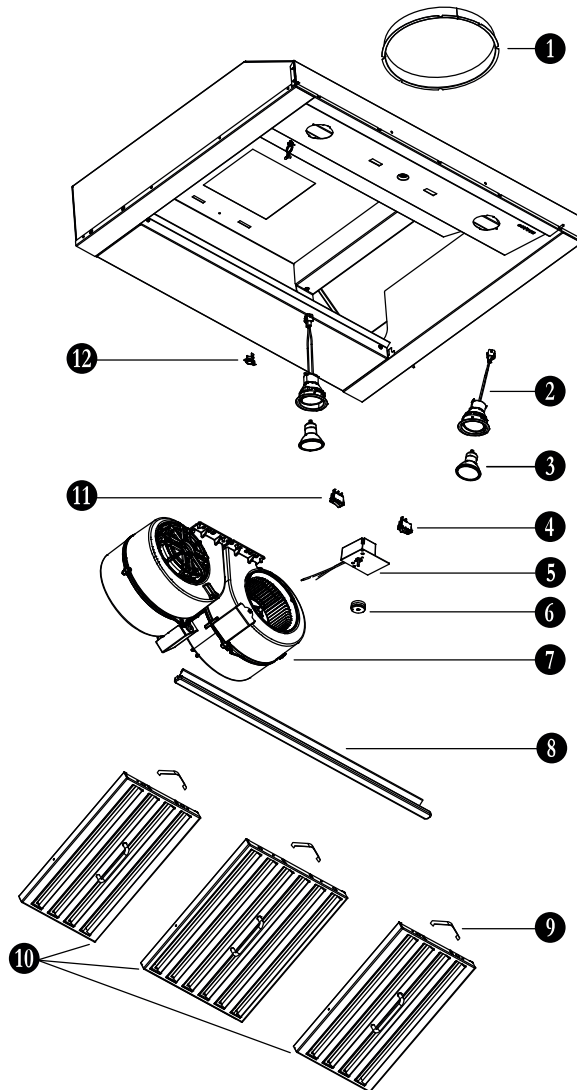
⚠ AVERTISSEMENT

Risque d'électrocution. Le raccordement électrique doit être effectué par du personnel qualifié conformément aux codes et aux standards. Avant d'effectuer le branchement, coupez l'alimentation électrique au panneau de distribution et verrouillez-le pour éviter une mise en marche accidentelle.



HE0337F

17. PIÈCES DE REMPLACEMENT



PIÈCES DE REMPLACEMENT ET SERVICE

Pour assurer le bon fonctionnement de votre appareil, vous devez toujours utiliser des pièces d'origine provenant de Coyote Outdoor Living Inc. Les pièces d'origine de Coyote Outdoor Living Inc. sont spécialement conçues pour satisfaire toutes les normes de certification de sécurité applicables. Leur remplacement par des pièces ne provenant pas de Coyote Outdoor Living Inc. pourrait ne pas assurer la sécurité de l'appareil, entraîner une réduction sévère des performances ainsi qu'un risque de défaillance prématurée. Coyote Outdoor Living Inc. recommande de contacter notre Service à la clientèle au 855 520-1559 pour toutes questions relatives à vos pièces de remplacement et appels de service.

N°	Pièce N°	DESCRIPTION	QUANTITÉ		
			36 PO	42 PO	48 PO
1	SV08541	ADAPTATEUR ROND DE 10 PO	1	1	1
2	SV16569	ENSEMBLE DE DOUILLE ET GARNITURE DE LAMPE	2	2	2
3	SV05921	AMPOULE HALOGÈNE GU10	2	2	2
4	SV02563	INTERRUPTEUR À BASCULE DE L'ÉCLAIRAGE	1	1	1
5	SV03501	COMMANDE DE VITESSE DU VENTILATEUR	1	1	1
6	SV08549	BOUTON DE LA COMMANDE DE VITESSE DU VENTILATEUR	1	1	1
7	C1BLOW1200*	ENSEMBLE VENTILATEUR	1	1	1
8	SV65734	GOUTTIÈRE POUR HOTTE ENCASTRABLE DE 36 PO DE LARGEUR	1	0	0
	SV65735	GOUTTIÈRE POUR HOTTE ENCASTRABLE DE 42 PO DE LARGEUR	0	1	0
	SV65736	GOUTTIÈRE POUR HOTTE ENCASTRABLE DE 48 PO DE LARGEUR	0	0	1
9	SV08337	RESSORTS POUR FILTRE À CHICANE (JEU DE 6)	1	1	1
10	SV60675	FILTRE À CHICANE AVEC RESSORT 11,84 PO x 15,125 PO	1	3	2
	SV60716	FILTRE À CHICANE AVEC RESSORT 8,84 PO x 15,125 PO	2	0	2
11	SV03503	INTERRUPTEUR À BASCULE DU VENTILATEUR	1	1	1
12	SV03435	THERMOSTAT HEAT SENTRY ^{MC}	1	1	1
**	SV23645	SAC DE PIÈCES : 1SERRE-FILS, 2 CAPUCHONS DE CONNEXION ÉTANCHES, 9 VIS TYPE A N° 8 x 5/8 PO, 2 VIS N° 8-18 x 3/8 PO, 1 VENTOUSE.	1	1	1

* PIÈCE VENDUE SÉPARÉMENT

** NON ILLUSTRÉ

18. GARANTIE

DANS LA PLEINE MESURE PERMISE PAR LA LOI, LA PRÉSENTE GARANTIE RESTREINTE ET LES RECOURS QUI Y SONT PRÉVUS SONT EXCLUSIFS ET L'EMPORTENT SUR LES AUTRES GARANTIES, RECOURS ET MODALITÉS, QU'ILS AIENT ÉTÉ STIPULÉS EXPLICITEMENT OU TACITEMENT, À L'ORAL OU À L'ÉCRIT. EN OUTRE, DANS LA PLEINE MESURE PERMISE PAR LA LOI, COYOTE OUTDOOR LIVING, INC. REJETTE EXPRESSÉMENT TOUTE GARANTIE IMPLICITE, Y COMPRIS LES GARANTIES DE QUALITÉ MARCHANDE ET D'ADAPTATION À UN USAGE PARTICULIER.

Coyote Outdoor Living, Inc., par la présente garantie restreinte qu'elle donne, avec preuve d'achat, à l'acheteur original au lieu de la livraison originale du produit, garantit expressément la hotte ou la doublure de ventilation extérieure contre les défauts de fabrication et de matériaux pour un an à partir de la date de l'achat original, à condition qu'elles soient soumises à une utilisation résidentielle normale. Cette garantie n'est pas transférable et exclut expressément tout produit de ventilation utilisé dans un contexte commercial où une personne autre que l'acheteur original (le propriétaire de la résidence) l'utiliserait et en ferait l'entretien. Elle exclut aussi expressément, dans un contexte d'utilisation normale, tout problème pouvant découler de la corrosion ainsi que les égratignures et la décoloration à la surface du produit. Elle ne s'applique pas non plus aux tubes fluorescents et aux démarreurs, ni aux ampoules halogènes ou incandescentes, fusibles, filtres, conduits, capuchons de toit, capuchons muraux et autres accessoires pour conduits. Enfin, la présente garantie NE COUVRE PAS LES FRAIS DE MAIN-D'ŒUVRE DIRECTS OU INDIRECTS, l'expédition et la manutention de toute pièce requise étant aux frais de l'acheteur.

Coyote Outdoor Living, Inc. n'est tenu par la présente garantie restreinte qu'à la réparation ou au remplacement, le choix étant laissé à sa discrétion, de la pièce défectueuse durant la période de garantie. Ne sont pas couverts l'usure normale des pièces ni les dommages découlant : d'une utilisation négligente ou inadéquate du produit; de réparations ou d'un entretien inadéquats; d'une mauvaise installation; d'une utilisation contraire aux instructions; ou d'une altération effectuée par quiconque n'est pas mandaté par le centre de service de l'usine. Les réparations et remplacements effectués ne sauraient prolonger la période de garantie.

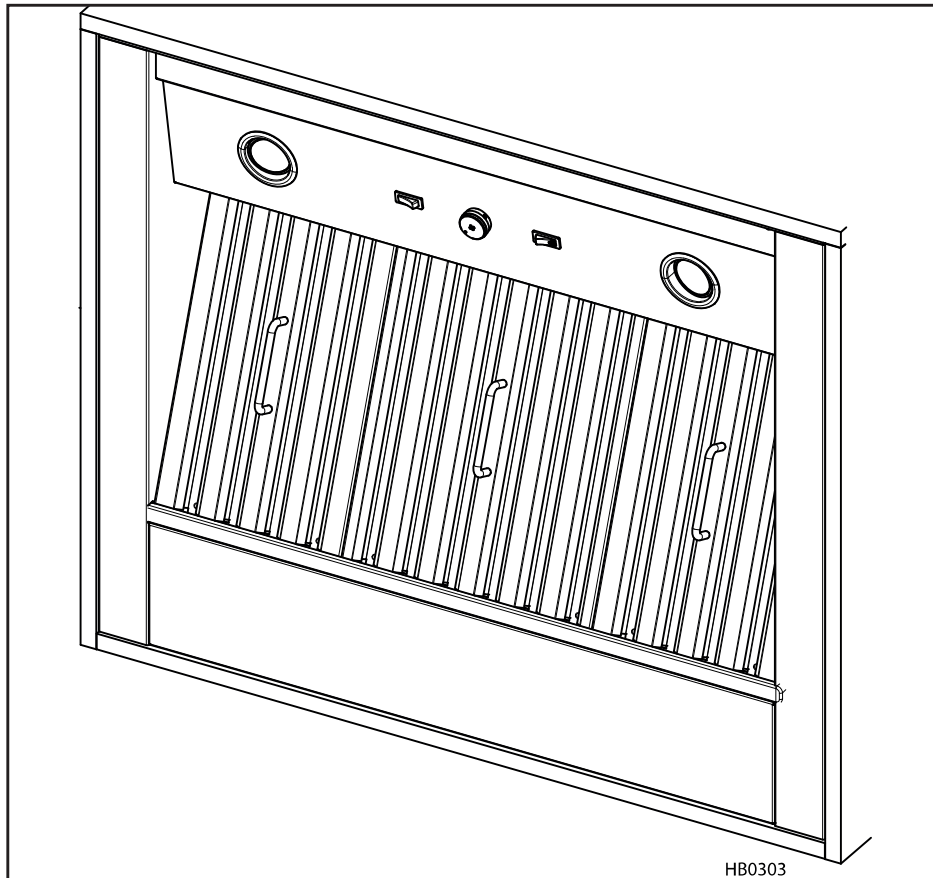
PROCÉDURE DE RÉCLAMATION : Si vous avez besoin d'assistance ou de pièces pour votre gril Coyote, veuillez communiquer avec notre centre de service de garantie pour obtenir une assistance directe de l'usine, entre 8 h et 16 h 30 (HNC). Vous pouvez composer le 855 520-1559 ou écrire à support@coyoteoutdoor.com. Vous pouvez aussi remplir le formulaire de réclamation en ligne au www.coyoteoutdoor.com. Pour faire une réclamation, vous aurez besoin du numéro de modèle, du numéro de série et de votre preuve d'achat.

En cas de réclamation, Coyote Outdoor Living, Inc. peut vous demander de lui retourner les pièces défectueuses afin de les examiner avant de vous envoyer des pièces de remplacement, auquel cas vous devrez prépayer les frais d'expédition. Si, après examen des pièces retournées, Coyote Outdoor Living, Inc. constate un défaut sur une pièce originale, il pourra accepter votre réclamation et remplacer la pièce défectueuse gratuitement. Dans tous les cas, c'est l'acheteur qui assume les frais d'expédition et de manutention des pièces de remplacement. Votre seul recours aux termes de la présente garantie restreinte est la réparation ou le remplacement de pièces, et Coyote Outdoor Living, Inc. ne saurait être responsable de tout dommage consécutif ou indirect.

La présente garantie restreinte ne couvre pas les défaillances ou les difficultés d'utilisation dues à un accident, à une utilisation abusive ou inadéquate, à une altération, à un acte de vandalisme, à une installation ou un entretien inadéquats, ou à des dommages causés par un retour de flamme ou un feu de graisse. Elle ne couvre pas non plus les égratignures, les bosses, la corrosion ou la décoloration causées par des intempéries, la chaleur, des produits nettoyants abrasifs ou chimiques, des produits chimiques pour piscine ou spa, ou les outils utilisés pour l'assemblage ou l'installation du produit. Ne sont pas non plus couverts l'écaillage de la peinture, ni la rouille ou la corrosion à la surface, ni la décoloration de l'acier inoxydable, qui sont considérés comme des effets de l'usure normale du produit. La présente garantie ne couvre aucunement le coût des désagréments, blessures ou dommages matériels que vous pourriez subir en raison d'une mauvaise utilisation ou d'une défaillance du produit. Enfin, elle ne couvre pas la détérioration ni les dommages causés par des événements météorologiques extrêmes, comme des averses de grêle, des ouragans, des tremblements de terre, des tsunamis, des tornades, ou toute autre catastrophe naturelle, ou par des actes de terrorisme, et exclut la décoloration découlant d'une exposition à des produits chimiques, que ce soit par contact direct ou par transmission aérienne.



INSTRUCCIONES DE INSTALACIÓN GRUPOS DE ALIMENTACIÓN SERIE C1LINER



⚠ EXCLUSIVAMENTE PARA COCINAS DOMÉSTICAS EXTERIORES ⚠

LEA ESTAS INSTRUCCIONES Y GUÁRDELAS

INSTALADOR: ENTREGUE ESTE MANUAL AL PROPIETARIO DE LA CASA.
PROPIETARIO: INFORMACIÓN SOBRE UTILIZACIÓN Y CUIDADO
EN LAS PÁGINAS 8 Y 9.

COYOTE OUTDOOR LIVING, INC.

www.coyoteoutdoor.com

⚠️ ADVERTENCIA

PARA REDUCIR EL RIESGO DE INCENDIO, DESCARGA ELÉCTRICA O LESIÓN CORPORAL, RESPETE LAS SIGUIENTES INDICACIONES:

1. Utilice esta unidad únicamente de la forma en que indica el fabricante. Si tiene cualquier pregunta, póngase en contacto con el fabricante en la dirección o el teléfono que aparecen en la garantía.
2. Antes de reparar o limpiar el aparato, apáguelo en el tablero de servicio y bloquee los medios de desconexión para impedir que la corriente se conecte accidentalmente. Cuando no se pueda bloquear los medios de desconexión, coloque un dispositivo de advertencia visible (como una etiqueta) en el tablero de servicio.
3. La instalación y la conexión eléctrica deben ser realizadas por personal calificado de acuerdo con todos los códigos y normas aplicables, incluso los relativos a la construcción ignífuga.
4. Para lograr una combustión adecuada y una extracción correcta de los gases a través de la salida del humo (chimenea) del equipo quemador de combustible — evitando así el contratiempo — es necesario disponer de aire suficiente. Siga las directrices del fabricante del equipo de material térmico y las normas de seguridad, como las que publica la NFPA (asociación de protección contra los incendios) y la ASHRAE (sociedad estadounidense de técnicos de calefacción, refrigeración y aire acondicionado) así como los códigos de los organismos responsables locales.
5. Al cortar o perforar la pared o el techo, procure no dañar el cableado eléctrico ni otras instalaciones de servicios públicos.
6. Los ventiladores entubados siempre deben tener salida al exterior.
7. No utilice este aparato con un dispositivo de control de velocidad con semiconductores.
8. Para reducir el riesgo de incendio, utilice sólo tuberías metálicas.
9. Este aparato debe conectarse a tierra y ha de estar protegido con un disyuntor.
10. Adecuado para lugares húmedos cuando se instala en un circuito de derivación PROTEGIDO CON UN DISYUNTOR.
11. Este aparato no está pensado para utilizarse con una parrilla de carbón.
12. Cuando una reglamentación local esta en vigor y conlleva exigencias de instalación y/o de certificación más estrictas, susodichas exigencias prevalecen sobre aquellas en este documento y el instalador acepta someterse a estas exigencias a sus gastos.

PARA REDUCIR EL RIESGO DE QUE ARDA LA GRASA EN LA PARTE SUPERIOR DE LA COCINA:

- a) No deje nunca recipientes de cocina a fuego vivo sin vigilancia. Los desbordamientos producen humo y derrames grasientos que pueden inflamarse. Caliente el aceite despacio, a fuego lento o mediano.
- b) Ponga en marcha siempre la campana extractora al cocinar a temperaturas elevadas o al cocinar alimentos flameados (crepas Suzette, cerezas jubilee, res con pimienta flambeada).
- c) Limpie los ventiladores con frecuencia. No deje que la grasa se acumule en el ventilador, ni en los filtros o en los conductos de evacuación.
- d) Utilice cacerolas de tamaño apropiado. Emplee siempre un recipiente adecuado para el tamaño de la placa.

⚠️ ADVERTENCIA

PARA REDUCIR EL RIESGO DE LESIONES CORPORALES EN EL CASO DE QUE ARDA LA GRASA EN LA PARTE SUPERIOR DE LA COCINA, SIGA ESTAS INDICACIONES*:

1. SOFOQUE LAS LLAMAS con una tapa ajustada, una hoja o bandeja metálica para hornear galletas, y apague luego el quemador. TENGA CUIDADO PARA EVITAR QUEMADURAS. SI LAS LLAMAS NO SE APAGAN INMEDIATAMENTE, EVACUE EL LUGAR Y LLAME A LOS BOMBEROS.
2. NO SUJETE NUNCA UNA SARTÉN EN LLAMAS ya que podría quemarse.
3. NO USE AGUA, ni trapos húmedos. Podría causar una violenta explosión de vapor.
4. Utilice un extintor SOLAMENTE si:
 - A. Tiene un extintor de tipo ABC y sabe usarlo.
 - B. El incendio es pequeño y está circunscrito a la zona donde empezó.
 - C. Ya ha llamado a los bomberos.
 - D. Puede tratar de apagar el fuego si dispone siempre de una salida detrás de usted.

* Fuente: "Kitchen Fire Safety Tips" publicado por la NFPA

PRECAUCIÓN

1. Sólo para ventilación general. No debe utilizarse para extraer materiales o vapores peligrosos o explosivos.
2. Para evitar daños en el cojinete de los motores y que las hélices haga ruido o se desequilibre, mantenga la unidad de alimentación lejos de los vaporizadores de pirca, del polvo de la construcción, etc.
3. El motor de la campana tiene un dispositivo contra sobrecargas térmicas que apaga el motor automáticamente si éste se sobrecalienta. El motor volverá a ponerse en marcha cuando se enfríe. Si el motor sigue apagándose, haga examinar la campana.
4. Para que la campana capte bien las impurezas que se desprenden al cocinar, la distancia mínima entre el grupo de alimentación y la superficie de la cocina debe ser a 36 pulgadas.
5. Dado el peso y el tamaño de esta unidad, se aconseja que la instalen dos personas.
6. Para reducir los riesgos de incendio y extraer el aire debidamente, el aire debe evacuarse fuera. No extraiga el aire a espacios situados entre las paredes, en el techo o en el desván, falso techo o garaje.
7. Este producto está equipado con un termostato que puede poner en marcha el ventilador automáticamente. Para reducir el riesgo de que se produzcan daños y evitar poner en marcha la alimentación accidentalmente, apague la corriente en el tablero de servicio, bloquee este tablero o ponga una etiqueta de advertencia.
8. Para reducir el riesgo de incendio y de choque eléctrico, los modelos de la serie C1LINER de Coyote deben instalarse únicamente con el ventilador C1BLOW1200 (se vende aparte). No emplee otros ventiladores.
9. Para mayor información y conocer los requisitos, lea la etiqueta con las especificaciones en el producto.

1. PREPARACIÓN DE LA INSTALACIÓN

NOTA: Antes de comenzar la instalación, verificar el contenido de la caja. Si alguna pieza falta o está dañada, póngase en contacto con el fabricante.

Compruebe que el conjunto para la instalación contiene los elementos siguientes:

- Grupo de alimentación
- Accesorios
 - Filtros deflectores con manilla
 - Adaptador redondo de 10 pulgadas
 - Bolsa de piezas: 1 abrazadera para hilos, 2 conectores impermeables de hilos, 9 tornillos tipo A n.º 8 x 5/8 pulg, 2 tornillos n.º 8-18 x 3/8 pulg., 1 ventosa.

Pieza vendida aparte:

- Ventilador C1BLOW1200.

2. INSTALAR LOS CONDUCTOS Y EL CABLEADO ELÉCTRICO

⚠ ADVERTENCIA

Se aconseja llevar lentes y guantes de seguridad para instalar, reparar o limpiar la unidad. Este unidad no es diseñado por una utilización con un parilla de carbón.

PRECAUCIÓN

Este grupo de alimentación está previsto para patios o terrazas exteriores cubiertos. Como ocurre con todos los aparatos eléctricos, se debe proteger esta campana todo lo posible de la intemperie.

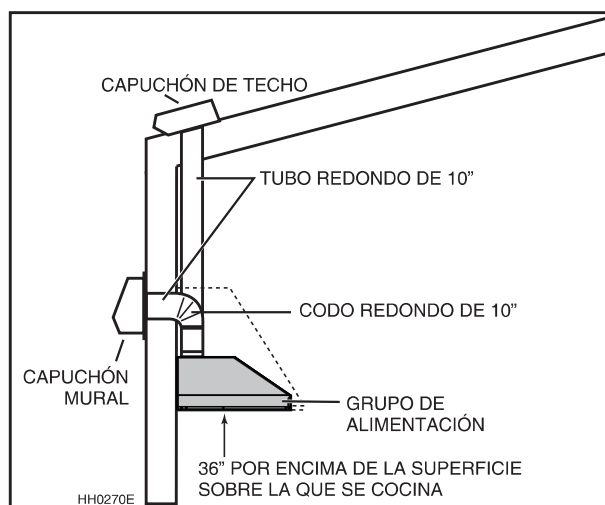
Estos grupos de alimentación deben instalarse con el ventilador C1BLOW1200 (se vende aparte). No lo sustituya por otro ventilador. Planifique dónde y cómo instalará los conductos. Un conducto recto y corto hará que la campana funcione más eficientemente. Instale conductos, codos y el capuchón de la pared o del tejado de 10 pulgadas. Empiece conectando el conducto de metal al capuchón y prosiga hacia el lugar donde se encuentre la campana. Utilice cinta adhesiva metálica de 2 pulgadas para sellar las juntas.

⚠ ADVERTENCIA

El cable de alimentación debe ser un circuito de derivación protegido con un disyuntor.

Lleve un cable de alimentación de tres hilos hasta el lugar de la instalación.

La distancia mínima entre el grupo de alimentación y la superficie sobre la que se cocina no debe ser inferior a 36 pulgadas.



3. PREPARACIÓN DE LA CAMPANA A MEDIDA

⚠ ADVERTENCIA

Siga siempre todos los códigos y normas de construcción aplicables al construir una campana a medida.

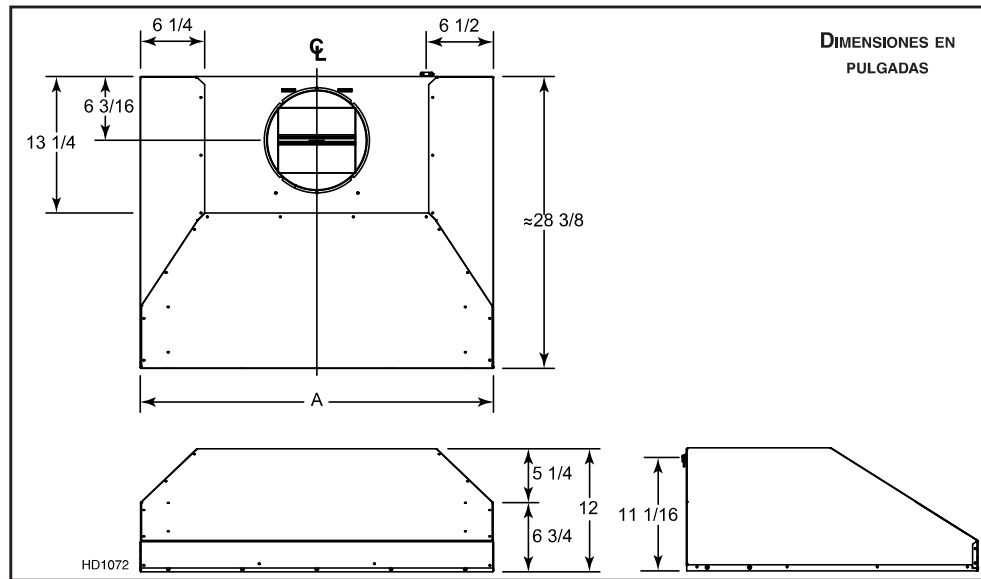
⚠ ADVERTENCIA

La campana de madera debe fijarse bien a los montantes murales o a otra estructura de madera situada detrás de la pared. Asegúrese de que pueda soportar su propio peso y el peso del grupo de alimentación. De no ser así, podrían producirse lesiones personales o daños en las superficies inferiores.

Debe prepararse la campana a medida de manera que acepte el tamaño y la forma del grupo de alimentación. Consulte el gráfico y la ilustración de abajo para más detalles.

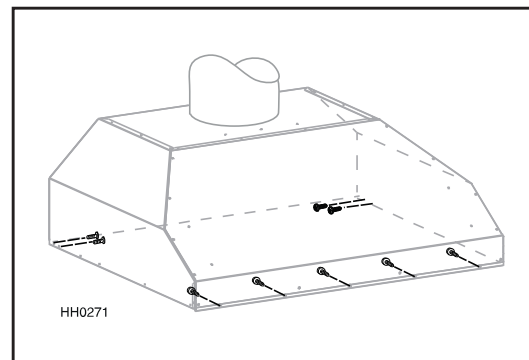
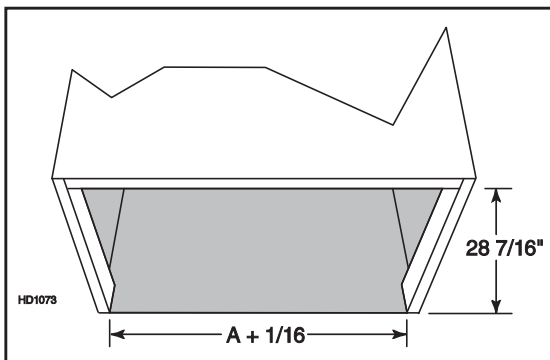
TAMAÑO	PESO TOTAL	ANCHURA DEL GRUPO DE ALIMENTACIÓN (A)*
36 PULG.	66 LB	34 7/16 PULG.
42 PULG.	73 LB	40 7/16 PULG.
48 PULG.	80 LB	46 7/16 PULG.

*Incluyendo las cabezas de los remaches.



Dado que los orificios de montaje del grupo de alimentación están situados en la parte delantera y en la trasera, prevea la instalación de una estructura de madera en la parte delantera y en los lados para sostener el grupo de alimentación con los tornillos incluidos en la bolsa de piezas.

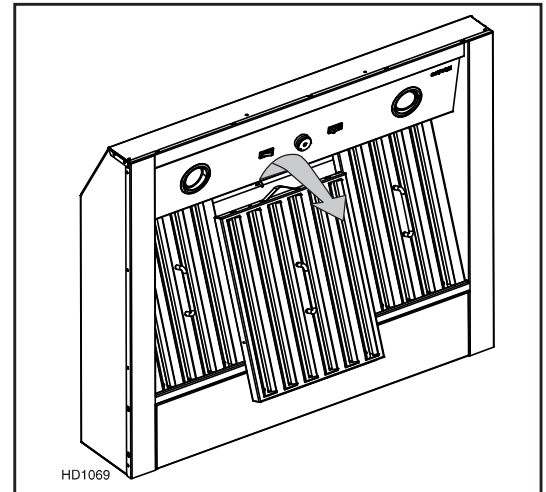
Para dejar una separación estética alrededor del grupo de alimentación, **mida la anchura real del grupo de alimentación y añada 1/16"** .



4. DESMONTAJE DE LOS FILTROS

Retire la cinta de los filtros. Saque los filtros del grupo de alimentación y póngalos aparte.

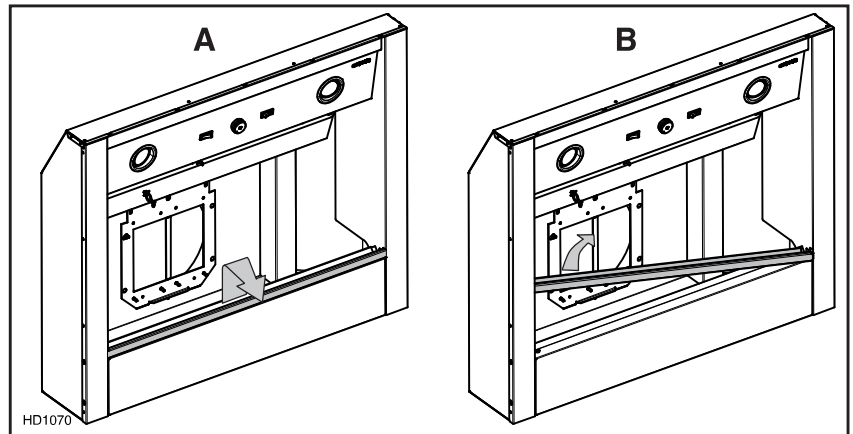
Se aconseja empezar por el filtro o filtros centrales.



5. DESMONTAJE DEL RIEL DE VERTIDO DE LA GRASA

A. Levante y gire el riel de vertido de la grasa para separarlo del tablero inferior.

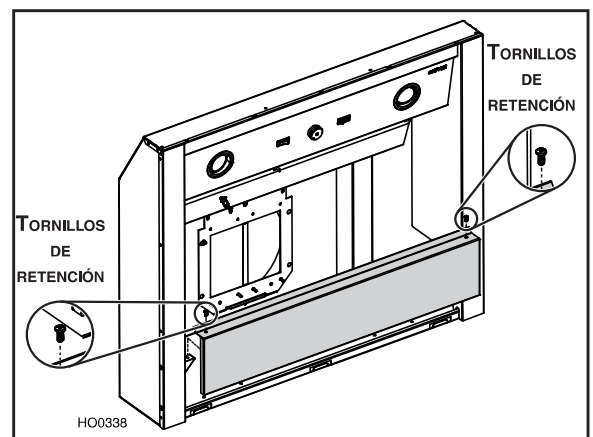
B. Deslice el riel completamente a la izquierda o a la derecha y levante el extremo contrario para desprenderlo del tablero inferior. Sáquelo del grupo de alimentación y póngalo a un lado.



6. DESMONTAJE DEL TABLERO INFERIOR

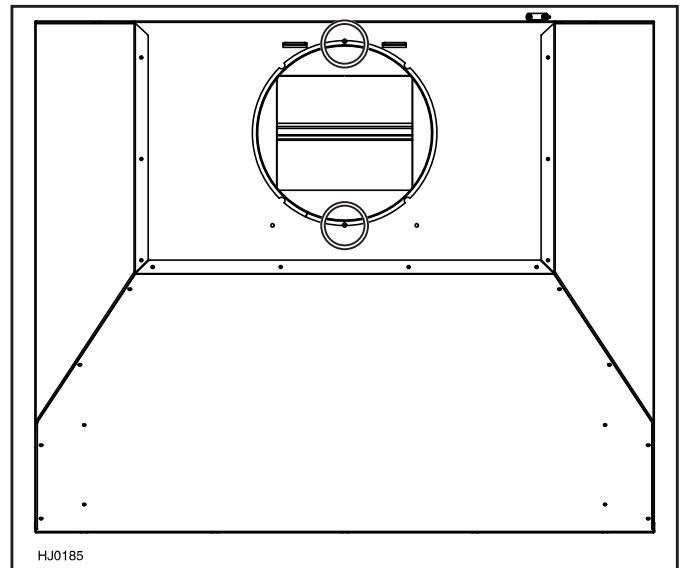
Utilice un destornillador Phillips para quitar los ambos tornillos que sujetan el tablero inferior.

Desmonte el tablero inferior del grupo de alimentación y consérvelo con sus tornillos.



7. INSTALACIÓN DEL ADAPTADOR

Retire el adaptador redondo de 10 pulgadas desde el interior del grupo de alimentación, e instálelo en la parte superior utilizando 2 tornillos Phillips n.º 8-18 x 3/8" y las pequeñas muescas alrededor del adaptador.



8. CONEXIÓN DEL CABLEADO

⚠ ADVERTENCIA

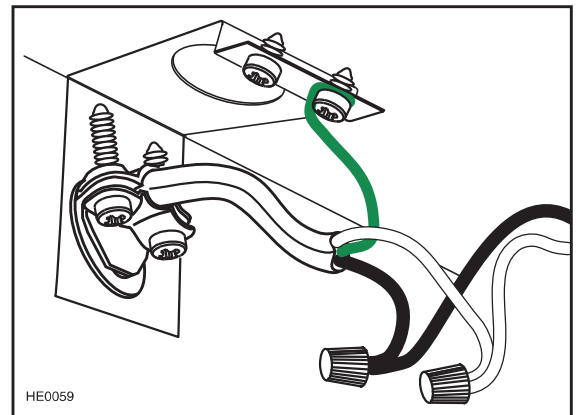
Riesgo de choque eléctrico. La conexión eléctrica debe hacerla personal competente con arreglo a los códigos y normas en vigor. Antes de conectar los hilos, corte la alimentación en el tablero de servicio y bloquee los medios de desconexión para impedir que la corriente se conecte accidentalmente.

Desde el interior del grupo de alimentación retire la tapa de la caja de cableados quitando dos tornillos de retención y póngalas a un lado. Instale la abrazadera de hilos incluida en la bolsa de piezas en el agujero eléctrico situado en la parte posterior de la campana.

Ponga el grupo de alimentación debajo de la ubicación de la campana instalada.

Introduzca el cable de conexión doméstico a través de la abrazadera para hilos y apriete la abrazadera para sujetar el cable. Conecte el cable en la caja de conexiones con los conectores impermeables de hilos incluidos. Conecte el hilo NEGRO con el NEGRO, el BLANCO con el BLANCO y el VERDE o desnudo en el tornillo de tierra VERDE. **NO OLVIDE CONECTAR LA TIERRA.**

Vuelva a instalar la tapa de la caja de cableados asegurándose de no aplastar los cables.



INSTRUCCIONES PARA LOS CONECTORES IMPERMEABLES DE HILOS:

1. Pele 3/8 de pulg. de los hilos.
2. Junte las puntas peladas o conductores.
3. No las retuerza. Coloque los hilos pelados juntos, con los extremos a la misma altura. Si la parte pelada de uno de los hilos es más corta que la del otro, ponga ese hilo más alto.
4. Gire el conector sobre los hilos empujando firmemente hasta que quede bien apretado. NO apriete demasiado.
5. Al introducir los hilos en los conectores, puede que salgan restos de un producto para la obturación. Limpie el sobrante de este producto alrededor de los conductores. NO VUELVA A UTILIZAR LOS CONECTORES.

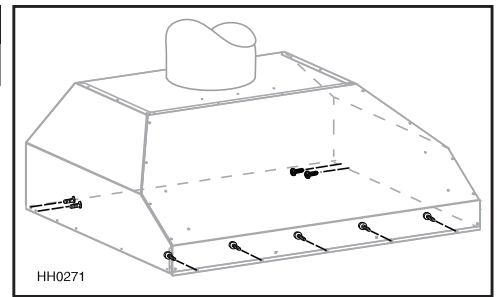
9. INSTALACIÓN DEL GRUPO DE ALIMENTACIÓN

PRECAUCIÓN

Procure no doblar los tubos al instalar el grupo de alimentación.

Utilice los tornillos n.º 8 x 5/8" provistos para instalar el grupo de alimentación en la campana. Empiece por los 2 tornillos en las esquinas delanteras; a continuación, utilice 4 tornillos para los lados y emplee los demás tornillos para sujetar el grupo de alimentación por delante (véase la figura de al lado para la ubicación exacta de los tornillos).

Compruebe que el adaptador se introduce en el tubo. Cuando hay acceso a la parte superior del grupo de alimentación, precinte las conexiones con cinta adhesiva metálica para tubos.



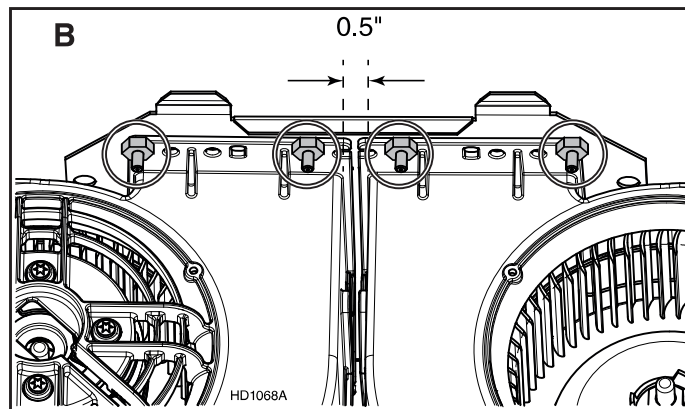
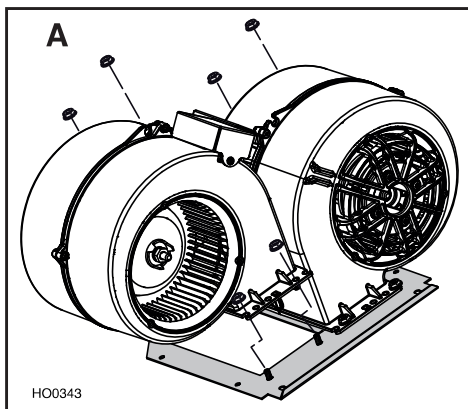
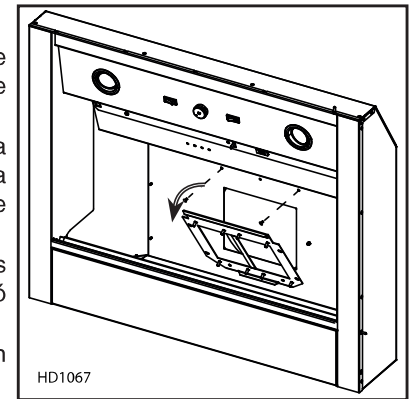
10. INSTALE EL VENTILADOR EN EL GRUPO DE ALIMENTACIÓN

Para instalar el ventilador doble C1BLOW1200 en el grupo de alimentación, en primer lugar retire la placa del ventilador desde el interior del grupo de alimentación y colóquela sobre una superficie protegida.

Use las 8 tuercas que vienen con los ventiladores para instalar ambos ventiladores sobre la placa del ventilador asegurándose de que los ventiladores cubran totalmente ambos agujeros en la placa del ventilador (véase la ilustración **A**). Entre los ventiladores debe haber una separación de 0,5 pulgadas (véase la ilustración **B**).

Para instalar la placa del ventilador y los ventiladores en el grupo de alimentación, introduzca las lengüetas de la placa del ventilador en las ranuras y vuelva a instalar las dos tuercas que retiró anteriormente para fijar la placa del ventilador al grupo de alimentación.

Conecte el cable de alimentación de los ventiladores a la campana y ate el cable de alimentación de los ventiladores con el alambre preinstalado.



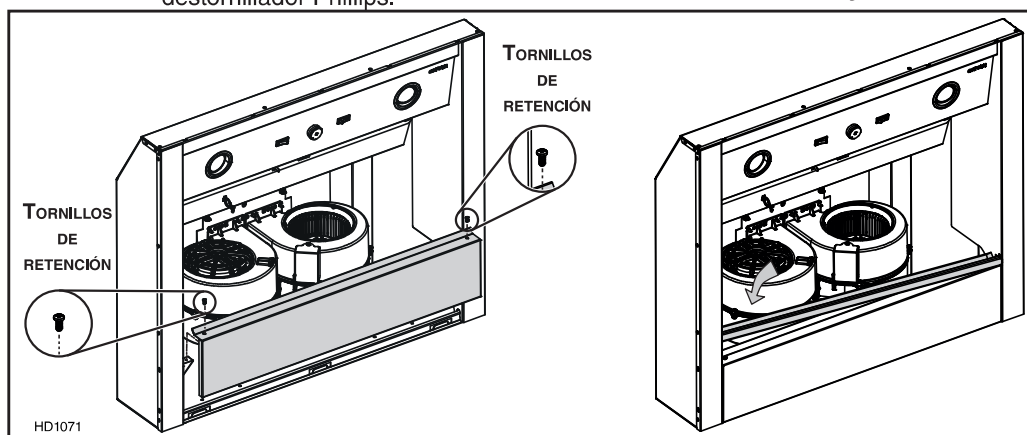
11. VUELVA A INSTALAR EL TABLERO INFERIOR Y EL RIEL DE VERTIDO DE LA GRASA

PRECAUCIÓN

Retire la película protectora de plástico que cubre el tablero inferior y el riel de vertido de grasa antes de instalarlos.

Vuelva a instalar el tablero inferior con los dos tornillos que retiró anteriormente y con un destornillador Phillips.

Vuelva a instalar el riel de vertido de la grasa.



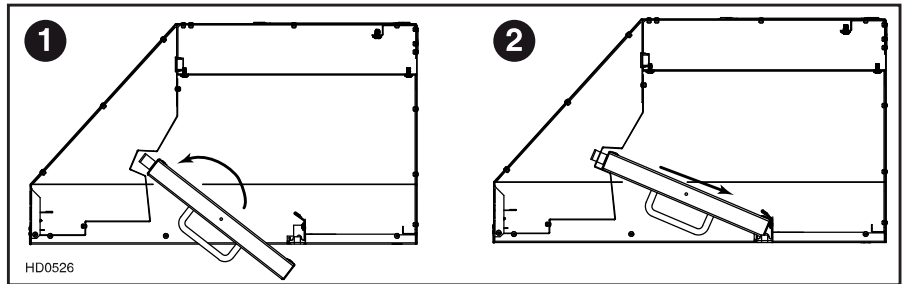
12. VUELVA A INSTALAR LOS FILTROS

PRECAUCIÓN

Retire la película protectora de plástico que cubre los filtros antes de instalarlos.

Se aconseja instalar primero los filtros laterales y terminar por el o los centrales.

1. Introduzca el extremo del filtro con resorte en el canal delantero del grupo de alimentación.
2. Levante el otro extremo hacia el interior del grupo de alimentación e introdúzcalo en el riel de vertido de la grasa.



13. FUNCIONAMIENTO

VENTILADOR

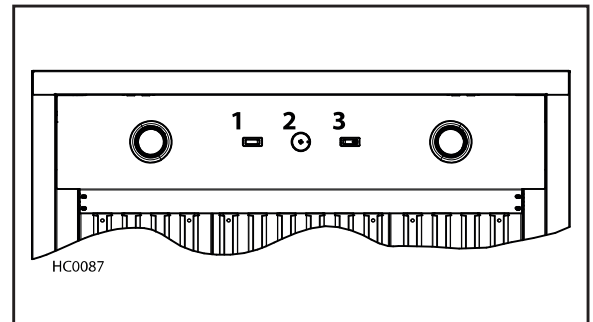
El ventilador se maneja con dos controles.

Utilice el interruptor oscilante (1) para poner en marcha y detener el ventilador. Al ponerlo en marcha, el interruptor se ilumina en rojo y el ventilador funciona a la velocidad que se haya elegido con el botón de control de velocidad (2).

Gire el botón de control de velocidad en el sentido contrario de las agujas del reloj para incrementar la velocidad del ventilador y en el sentido de las agujas del reloj para disminuirla.

LUCES (HALÓGENAS)

Utilice el interruptor oscilante (3) para encender y apagar las luces halógenas.



- 1) Interruptor ENCENDIDO/APAGA del ventilador
- 2) Botón de control de velocidad del ventilador
- 3) Interruptor de las luces halógenas

HEAT SENTRY™

Este grupo de alimentación viene equipado con un termostato Heat Sentry™. Este termostato pondrá en marcha el ventilador a alta velocidad si detecta un calor excesivo por encima de la superficie de cocción.

- 1) Si el ventilador está apagado, lo pondrá en marcha a alta velocidad.
- 2) Si el ventilador ya está encendido, lo pondrá a alta velocidad.

⚠ ADVERTENCIA

Durante un calor excesivo, el Heat Sentry puede poner en marcha el ventilador, incluso si este está apagado. Si este es el caso, es imposible parar el ventilador con su interruptor. Si usted necesita detener el ventilador, desconecte del grupo de alimentación el cordón de alimentación del ventilador

Cuando la temperatura baje a un nivel normal, el ventilador volverá a su velocidad original.

14. USO Y CUIDADO

Filtros deflectores

Los filtros deflectores deben limpiarse con frecuencia. Utilice una disolución de detergente con agua templada. Lávelos con mayor frecuencia si su tipo de cocina genera más grasa (alimentos fritos o cocina con wok).

Retire los filtros empujándolos hacia la parte delantera del grupo de alimentación y girándolos hacia abajo. Las placas de los filtros pueden lavarse en el lavavajillas. Deje que los filtros sequen completamente antes de volver a instalarlos en el grupo de alimentación.

Limpie los filtros totalmente metálicos en el lavavajillas con un detergente sin fosfato. El filtro podría descolorarse si se utiliza un detergente con fosfato o debido al tipo de agua, pero esto no afecta su funcionamiento. Este descoloramiento no está cubierto por la garantía.

Riel de vertido de la grasa

El riel debe limpiarse con frecuencia. Sáquelo del grupo de alimentación y límpielo con una disolución de detergente con agua templada. Lávelo con mayor frecuencia si su tipo de cocina genera más grasa (alimentos fritos o cocina con wok). Deje que el riel seque completamente antes de volver a instalarlo en el grupo de alimentación.

Limpieza del grupo de alimentación

Limpieza del acero inoxidable:

Debe hacerse:

- Limpiar regularmente las superficies con un trapo limpio humedecido con una mezcla de agua templada y jabón suave o detergente para la vajilla.
- Limpiar siempre en la dirección de las líneas originales de pulido del acero.
- Enjuagar siempre con agua limpia (2 o 3 veces) después de limpiar. Seque completamente.
- También puede utilizar un limpiador doméstico especial para acero inoxidable.

No debe hacerse:

- Utilizar un estropajo de acero o acero inoxidable u otro tipo de rasquetas para quitar la suciedad resistente.
- Utilizar limpiadores fuertes o abrasivos.
- Dejar que la suciedad se acumule.
- Dejar que el polvo del yeso u otros residuos de la construcción manchen la campana. Si efectúa obras de construcción o renovación, cubra la campana para que no se manche la superficie de acero inoxidable.

Al escoger un detergente, evite:

- Los limpiadores que contienen **blanqueador** (lejía), ya que dañarán el acero inoxidable.
- Los productos que contengan **cloruro, fluoruro, yoduro y bromuro**, ya que deterioran las superficies rápidamente.
- Los productos combustibles que se emplean para la limpieza, como **acetona, alcohol, éter, bencol**, etc., ya que son altamente explosivos y nunca deberían estar cerca de una cocina.

15. SUSTITUCIÓN DE LAS BOMBILLAS

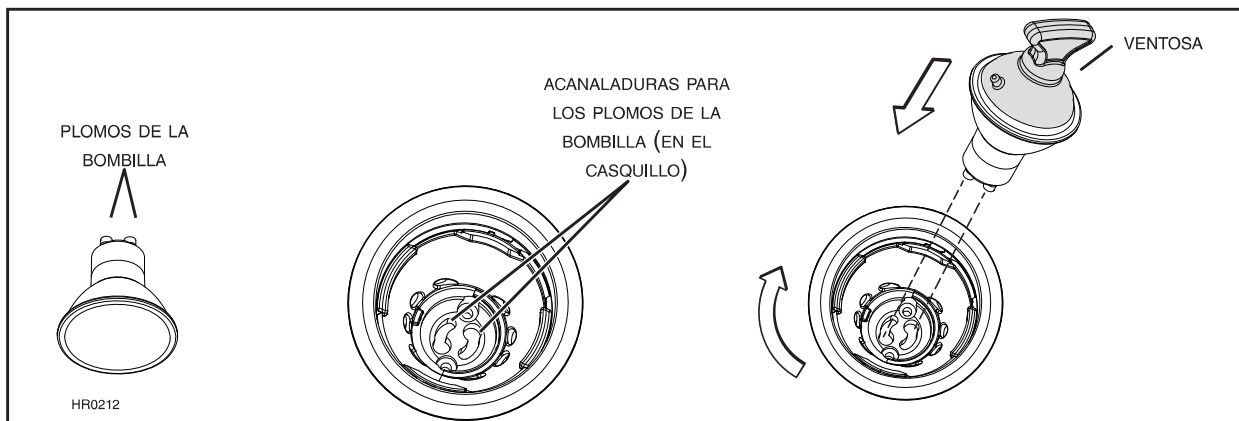
Este grupo de alimentación debe utilizar bombillas halógenas protegidas de tipo MR16, de 120 V y 50 W con base GU10 o PAR16 con base GU10.

⚠ ADVERTENCIA

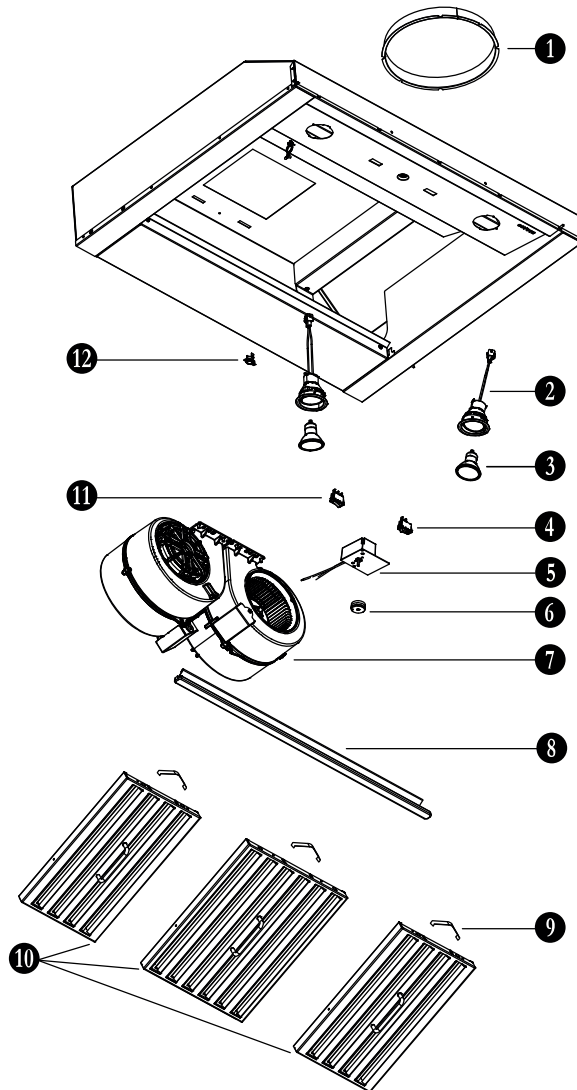
No tocar las bombillas durante o justo después de la utilización. Pueden causar quemaduras. Para prevenir el riesgo de lesiones corporales, instale solamente bombillas halógenas protegidas. Nunca instalar una bombilla dicroica o no concebida para luminarias empotradas o bombillas identificadas sólo para uso en dispositivos encerrados.

Para retirar una bombilla, presione la ventosa (incluida en la bolsa de piezas) contra la bombilla y gire en sentido contrario a las agujas de un reloj para retirar los plomos de la bombilla de las acanaladuras en el casquillo.

Instale la bombilla colocando los plomos en sus acanaladuras en el casquillo. Empuje suavemente hacia arriba y gire en el sentido de las agujas de un reloj hasta fijar la bombilla.



17. PIEZAS DE REPUESTO



SUSTITUCIÓN DE PIEZAS Y REPARACIÓN

Para que la unidad se conserve en buen estado, debe usar repuestos genuinos de Coyote Outdoor Living Inc. únicamente. Estas piezas se han diseñado especialmente para cada unidad y se han fabricado conforme a las normas de certificación aplicables y un elevado nivel de seguridad. El uso de repuestos de otros fabricantes podría causar daños graves y reducir radicalmente el desempeño de la unidad, causando así fallas prematuras. Coyote Outdoor Living Inc. también aconseja ponerse en contacto con nuestro Servicio al cliente al número de teléfono 855-520-1559 para todas las cuestiones relacionadas al los repuestos y reparaciones.

N.º	N.º DE PIEZA	DESCRIPCIÓN	CANTIDAD		
			36"	42"	48"
1	SV08541	ADAPTADOR REDONDO DE 10"	1	1	1
2	SV16569	CONJUNTO DEL CASQUILLO Y DEL PORTALÁMPARAS	2	2	2
3	SV05921	BOMBILLA HALÓGENA GU10	2	2	2
4	SV02563	INTERRUPTOR OSCILANTE DE LA LUZ	1	1	1
5	SV03501	CONTROL DE LA VELOCIDAD DEL VENTILADOR	1	1	1
6	SV08549	BOTÓN DE CONTROL DE LA VELOCIDAD DEL VENTILADOR	1	1	1
7	C1BLOW1200*	CONJUNTO DEL VENTILADOR	1	1	1
8	SV65734	RIEL DE VERTIDO DE LA GRASA PARA EL GRUPO DE ALIMENTACIÓN DE 36" DE ANCHO	1	0	0
	SV65735	RIEL DE VERTIDO DE LA GRASA PARA EL GRUPO DE ALIMENTACIÓN DE 42" DE ANCHO	0	1	0
	SV65736	RIEL DE VERTIDO DE LA GRASA PARA EL GRUPO DE ALIMENTACIÓN DE 48" DE ANCHO	0	0	1
9	SV08337	RESORTES DE LOS FILTROS (JUEGO DE 6)	1	1	1
10	SV60675	FILTRO DEFLECTORES CON RESORTE 11,84" x 15,125"	1	3	2
	SV60716	FILTRO DEFLECTORES CON RESORTE 8,84" x 15,125"	2	0	2
11	SV03503	INTERRUPTOR OSCILANTE DEL VENTILADOR	1	1	1
12	SV03435	TERMOSTATO HEAT SENTRY ^{MC}	1	1	1
**	SV23645	BOLSA DE PIEZAS : 1 ABRAZADERA DE HILOS, 2 CONECTORES DE HILOS IMPERMEABLES, 9 TORNILLOS TIPO A N.º 8 x 5/8", 2 TORNILLOS N.º 8-18 x 3/8", 1 VENTOSA.	1	1	1

* PIEZA VENDIDA APARTE

** NO SE MUESTRAN.

18. GARANTÍA

EN LA MEDIDA MÁXIMA EN QUE LO PERMITA LA LEY, ESTA GARANTÍA LIMITADA Y LOS RECURSOS ENUNCIADOS A CONTINUACIÓN SON EXCLUSIVOS Y SE ANTEPONEN A TODAS LAS OTRAS GARANTÍAS, RECURSOS O CONDICIONES, YA SEAN VERBALES O ESCRITOS, EXPRESOS O IMPLÍCITOS. EN LA MEDIDA MÁXIMA EN QUE LO PERMITA LA LEY, COYOTE OUTDOOR LIVING, INC. TAMBIÉN RENUNCIA EXPRESAMENTE A TODAS LAS GARANTÍAS IMPLÍCITAS, INCLUYENDO, ENTRE OTRAS, LAS GARANTÍAS DE COMERCIALIZACIÓN Y LAS DE IDONEIDAD PARA UN PROPÓSITO PARTICULAR.

Con esta garantía limitada, Coyote Outdoor Living, Inc. garantiza expresamente al comprador original, en el sitio original de entrega, que la campana o el forro de ventilación exterior, bajo un uso residencial normal, será libre de defectos de fabricación y de materiales por una duración de un año a partir de la fecha de compra. La garantía limitada no es transferible y excluye expresamente cualquier producto de ventilación usado en un entorno comercial donde el producto sería usado y mantenido por una persona que no sea el comprador original (el dueño de casa). La garantía limitada excluye expresamente cualquier problema que podría resultar de la corrosión, los rasguños o las decoloraciones en la superficie bajo un uso normal. También excluye los arrancadores y tubos de lámparas fluorescentes, las bombillas incandescentes y halógenas, los fusibles, los filtros, los conductos, las tapas para techo, las tapas para pared y los otros accesorios para conductos. Esta garantía limitada NO CUBRE LOS COSTOS DIRECTOS O INDIRECTOS DE MANO DE OBRA, y el envío y la manipulación de las piezas requeridas será al cargo del comprador.

La responsabilidad de Coyote Outdoor Living, Inc. bajo esta garantía limitada se restringe a la reparación o reemplazo, según su criterio, de la pieza defectuosa durante el periodo de garantía. Esta garantía limitada no cubre el uso y desgaste normales ni los daños causados por: el uso negligente o indebido del producto, la reparación o el mantenimiento inadecuados, una instalación incorrecta, el uso contrario a las instrucciones o una modificación efectuada por una persona que no esté autorizada para hacerlo por el centro de servicio de la fábrica. Las reparaciones y reemplazos efectuados no prolongarán el periodo de garantía.

PROCEDIMIENTO DE RECLAMACIÓN: Si necesita servicio o piezas para su parrilla Coyote, por favor contacte con nuestro centro de servicio de garantía para obtener una asistencia directa de la fábrica, de 8 a.m. a 4:30 p.m. (hora del centro), llamando al 855 520 1559 o escribiendo a support@coyoteoutdoor.com. También puede utilizar el formulario de reclamación en línea en www.coyoteoutdoor.com. Necesitará el número de modelo, el número de serie y la prueba de compra.

Coyote Outdoor Living, Inc. puede exigir la devolución de las piezas defectuosas para examinarlas antes de enviar piezas de repuesto. En este caso, usted tendrá que prepagar los gastos de envío. Si Coyote Outdoor Living, Inc. determina que la pieza original es defectuosa después de haberla examinado, podrá aceptar su reclamación y, según su criterio, reemplazar la pieza defectuosa sin cargo alguno. En todos los casos, el cliente tiene que pagar los gastos de envío y manipulación de las piezas de repuesto. La reparación o el reemplazo de piezas constituyen su único recurso bajo esta garantía limitada, y Coyote Outdoor Living, Inc. no se hace responsable de cualquier daño fortuito o consecuente.

Esta garantía limitada no cubre los mal funcionamientos o las dificultades de uso causados por cualquier accidente, maltrato, uso indebido, modificación, aplicación indebida o acto de vandalismo ni por la instalación, mantenimiento o servicio incorrecto del producto o por daños causados por un retroceso de llama o un fuego de grasa. La garantía limitada tampoco cubre las ralladuras, las abolladuras, la corrosión o la decoloración causadas por el mal tiempo, el calor, productos de limpieza abrasivos o químicos, productos químicos para piscina o spa, ni las herramientas utilizadas en el montaje y la instalación del producto. Tampoco están cubiertos por esta garantía limitada el desconchado de la pintura, la herrumbre en la superficie, la corrosión o la decoloración del acero inoxidable, que son considerados como efectos del uso y desgaste normales. La garantía limitada no cubre las molestias, lesiones corporales o daños a la propiedad causados por el uso incorrecto o el mal funcionamiento del producto. Finalmente, la garantía limitada no cubre la deterioración o los daños causados por condiciones meteorológicas extremas como granizo, huracanes, terremotos, tsunamis, tornados u otros desastres naturales, o por terrorismo, y excluye la decoloración causada por la exposición a productos químicos, ya sea por contacto directo o por transmisión aérea.