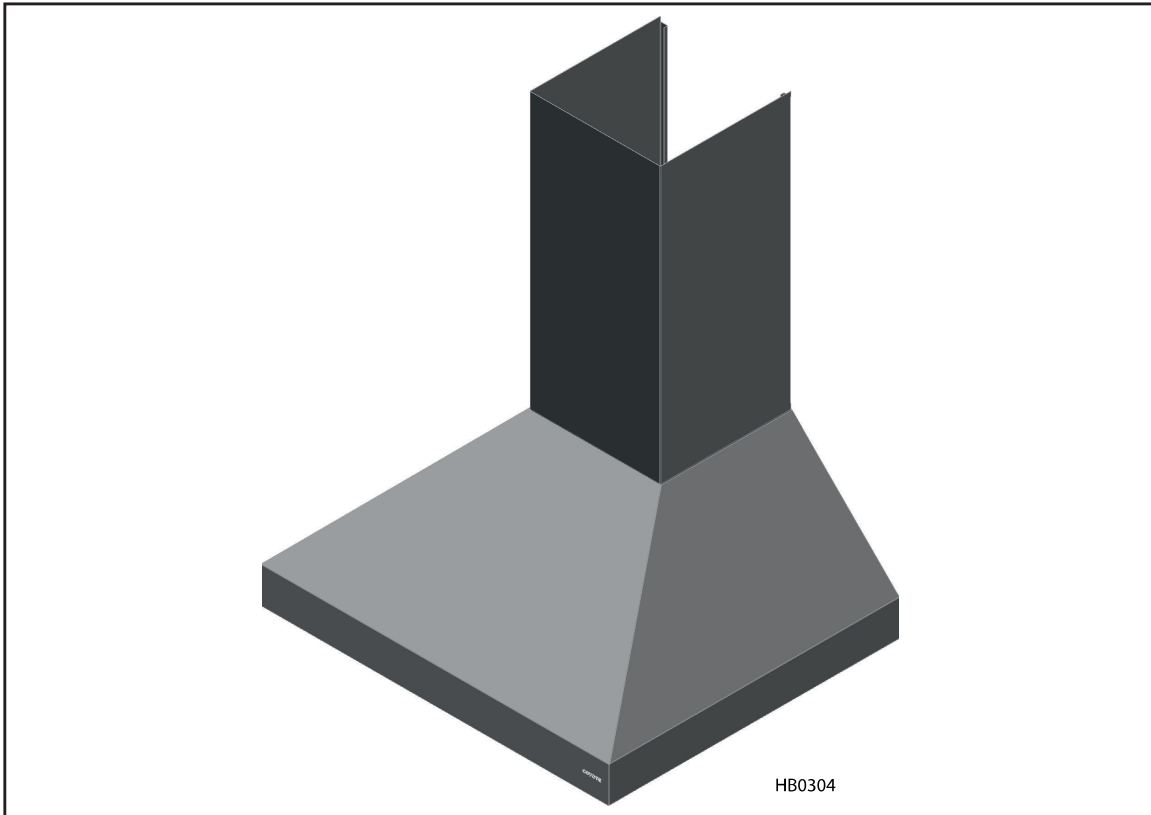




## C1HOOD SERIES INSTALLATION INSTRUCTIONS



**⚠ INTENDED FOR OUTDOOR DOMESTIC COOKING ONLY ⚠**

**READ AND SAVE THESE INSTRUCTIONS**

INSTALLER: LEAVE THIS MANUAL WITH HOMEOWNER.  
HOMEOWNER: USE AND CARE INFORMATION ON PAGES 8 AND 9.

**COYOTE OUTDOOR LIVING, INC.**

[www.coyoteoutdoor.com](http://www.coyoteoutdoor.com)



## **WARNING**

### **TO REDUCE THE RISK OF FIRE, ELECTRIC SHOCK OR INJURY TO PERSONS, OBSERVE THE FOLLOWING:**

1. Use this unit only in the manner intended by the manufacturer. If you have questions, contact the manufacturer at the address or telephone number listed in the warranty.
2. Before servicing or cleaning unit, switch power off at service panel and lock service disconnecting means to prevent power from being switched on accidentally. When the service disconnecting means cannot be locked, securely fasten a prominent warning device, such as a tag, to the service panel.
3. Installation work and electrical wiring must be done by qualified personnel in accordance with all applicable codes and standards, including fire-rated construction codes and standards.
4. Sufficient air is needed for proper combustion and exhausting of gases through the flue (chimney) of fuel burning equipment to prevent backdrafting. Follow the heating equipment manufacturer's guidelines and safety standards such as those published by the National Fire Protection Association (NFPA) and the American Society for Heating, Refrigeration and Air Conditioning Engineers (ASHRAE) and the local code authorities.
5. When cutting or drilling into wall or ceiling, do not damage electrical wiring and other hidden utilities.
6. Ducted fans must always be vented to the outdoors.
7. Do not use this unit with any solid-state speed control device.
8. To reduce the risk of fire, use only metal ductwork.
9. This unit must be grounded and protected by a GFCI.
10. Suitable for use in damp locations only when installed in a GFCI-protected branch-circuit.
11. This unit is not designed to be used with a charcoal grill.
12. When applicable local regulations comprise more restrictive installation and/or certification requirements, the aforementioned requirements prevail on those of this document and the installer agrees to conform to these at his own expense.

### **TO REDUCE THE RISK OF A RANGE TOP GREASE FIRE:**

- a) Never leave surface units unattended at high settings. Boilovers cause smoking and greasy spillovers that may ignite. Heat oils slowly on low or medium settings.
- b) Always turn the range hood ON when cooking at high heat or when flambeing food (i.e.: Crêpes Suzette, Cherries Jubilee, Peppercorn Beef Flambé).
- c) Clean ventilating fans frequently. Grease should not be allowed to accumulate on fan, filters or in exhaust ducts.
- d) Use proper pan size. Always use cookware appropriate for the size of the surface element.

## **WARNING**

### **TO REDUCE THE RISK OF INJURY TO PERSONS IN THE EVENT OF A RANGE TOP GREASE FIRE, OBSERVE THE FOLLOWING\*:**

1. SMOTHER FLAMES with a close-fitting lid, cookie sheet or metal tray, then turn off the burner. BE CAREFUL TO PREVENT BURNS. IF THE FLAMES DO NOT GO OUT IMMEDIATELY, EVACUATE AND CALL THE FIRE DEPARTMENT.
2. NEVER PICK UP A FLAMING PAN — You may be burned.
3. DO NOT USE WATER, including wet dishcloths or towels — This could cause a violent steam explosion.
4. Use an extinguisher ONLY if:
  - A. You own a Class ABC extinguisher and you know how to operate it.
  - B. The fire is small and contained in the area where it started.
  - C. The fire department has been called.
  - D. You can fight the fire with your back to an exit.

\* Based on "Kitchen Fire Safety Tips" published by NFPA.

## **CAUTION**

1. For general ventilating use only. Do not use to exhaust hazardous or explosive materials and vapors.
2. To avoid motor bearing damage and noisy and/or unbalanced impellers, keep drywall spray, construction dust, etc. off the hood.
3. Your hood has a thermal overload which will automatically shut off the motor if it becomes overheated. The motor will restart when it cools down. If the motor continues to shut off and restart, have the hood serviced.
4. The hood must be installed at least 36" above the cooking surface.
5. Two installers are recommended because of the large size and weight of this unit.
6. To reduce the risk of fire and to properly exhaust air, be sure to duct air outside — Do not exhaust air into spaces within walls or ceiling or into attics, crawl space or garage.
7. This product is equipped with a thermostat which may start blower automatically. To reduce the risk of injury and to prevent power from being switched on accidentally, switch power off at service panel and lock or tag service panel.
8. To reduce the risk of fire and electrical shock, the C1HOOD Series models should only be installed with the C1BLOW1200 INTERNAL BLOWER. Other blowers cannot be substituted.
9. Please read specification label on product for further information and requirements.

# 1. PREPARE THE INSTALLATION

Make sure that the following items are included:

- Hood
- Hood mounting bracket (taped inside the hood)
- 10" round adapter (taped inside the hood)
- Installation manual
- Bag of parts including: 1 wire clamp, 3 waterproof wire connectors, 14 no. 10-12 x 2½" screws, 4 no. 8-18 x 3/8" screws, 10 washers, 1 suction cup (contains more parts than required to perform the installation). (Taped inside the hood.)

Parts sold separately:

- Blower assembly model C1BLOW1200
- Decorative flue:
  - Part no. C1FLUE8 for ceilings 8' to 8.5' high
  - Part no. C1FLUE10 for ceilings 8.5' to 9.5' high
  - Part no. C1FLUE12 for ceilings 9.5' to 12' high

# 2. INSTALL THE DUCTWORK AND ELECTRICAL WIRING

## ⚠ WARNING

When performing installation, servicing or cleaning the unit, it is recommended to wear safety glasses and gloves. This range hood is not designed for use with a charcoal grill.

## CAUTION

This range hood is intended for outdoor covered patio or lanai area. As with all electric appliances, this unit must be protected from the effects of weather.

These range hoods must be installed with the C1BLOW1200 blower (sold separately). Do not substitute for an other blower.

Plan where and how the ductwork will be installed. A straight, short duct run will allow the hood to perform most efficiently. Refer to illustrations below to locate duct opening.

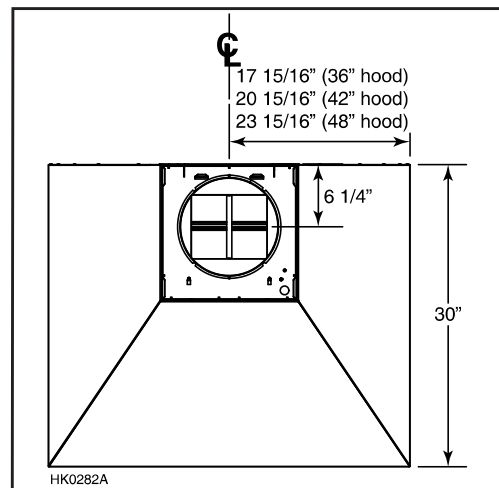
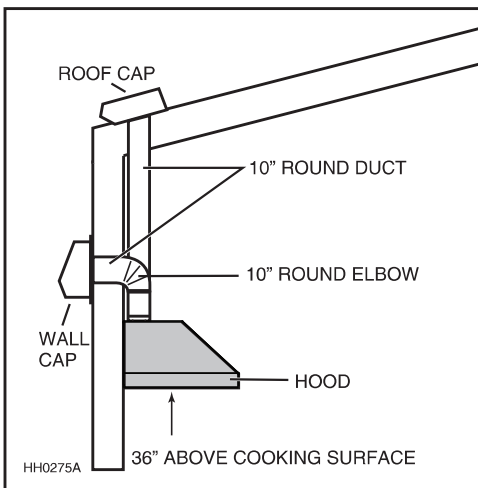
Install 10-inch ductwork, elbows (if needed) and roof or wall cap. Connect metal ductwork to the cap and work back towards the hood location. Use 2" metal foil duct tape to seal the joints.

## ⚠ WARNING

The power cable must be a GFCI protected branch circuit.

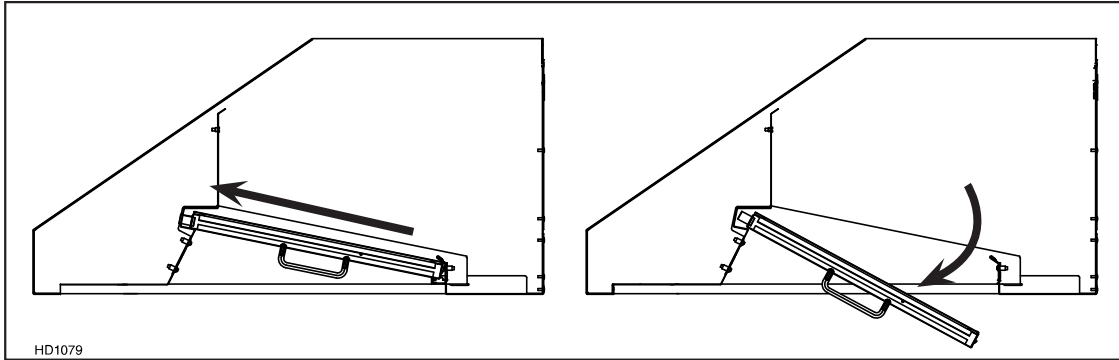
Run 3-wire power supply cable to installation location.

The hood must be installed at least 36" above the cooking surface.



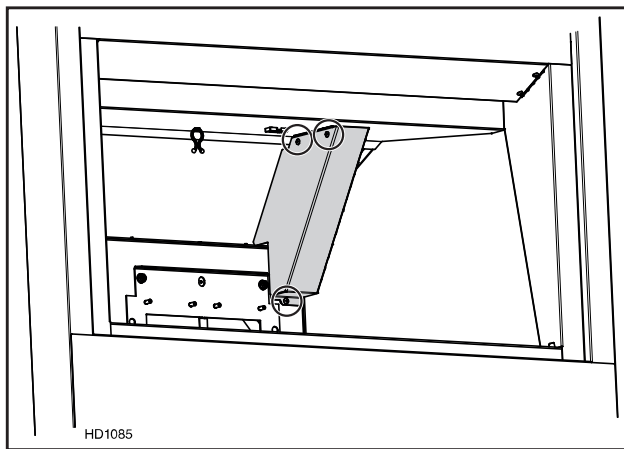
### 3. REMOVE THE GREASE FILTERS

Rest the range hood on a protected surface and remove the tape from the filters. Remove the filters from the range hood by pushing them towards the nose of the hood and rotate downwards. Remove the parts bag, the adapter ring and the hood mounting bracket from inside the hood and set these parts aside.

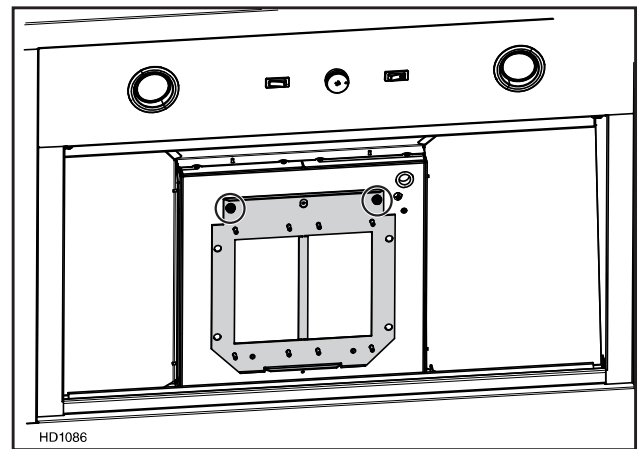


### 4. REMOVE THE WIRING COVER AND THE BLOWER PLATE

Using a Philips no. 2 screwdriver, remove the 3 retaining screws (circled in illustration below) holding the wiring cover inside the hood. Set aside the cover and its screws.

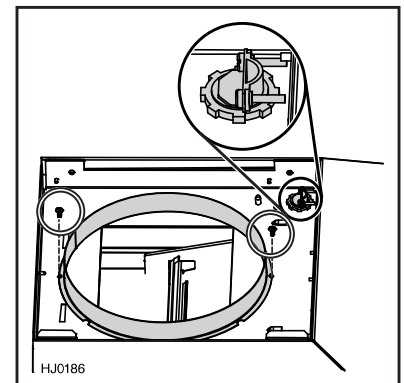


Using a 3/8" nutdriver, remove 2 nuts retaining the blower plate to the inner top of the hood, set the plate and nuts aside.



### 5. INSTALL THE ADAPTER AND THE WIRE CLAMP

Install the 10-inch round adapter on the top of the hood using 2 no. 8-18 x 3/8" Phillips screws.  
NOTE: Use the smaller notches around the adapter.  
Install the wire clamp (as shown in the inset on illustration at right).

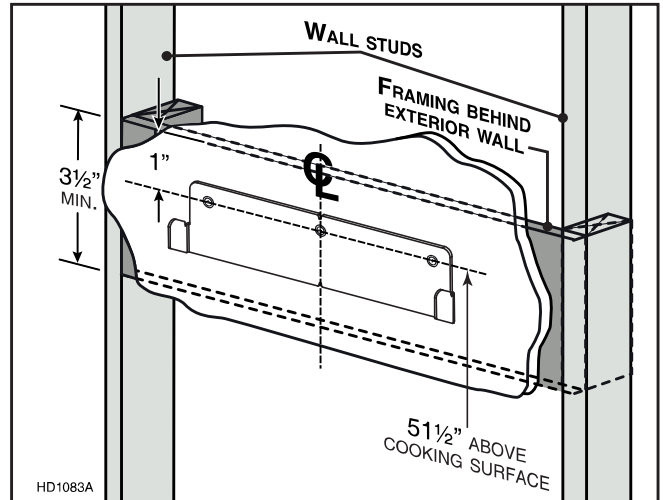


## 6. INSTALL HOOD MOUNTING BRACKET

### **⚠ WARNING**

When cutting or drilling into wall, do not damage electrical wiring and other hidden utilities. Ensure that the wall is solid enough to withstand the weight of the hood.

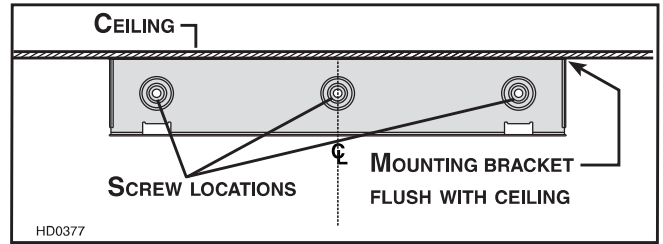
If necessary, construct a wall framing using minimum 2" x 4" lumber. Proper structural support is required to accommodate the weight of the hood. After the wall surface is finished, measure and mark the center of the installation; draw the vertical center line up to the ceiling. Carefully center and level the hood mounting bracket over the installation location. Secure it to the wall framing using 3 no. 10-12 x 1½" screws.



## 7. INSTALL UPPER FLUE MOUNTING BRACKET

**NOTE:** The upper flue mounting bracket is packed with the decorative flue, but the mounting bracket screws are in the parts bag of the hood.

Center the upper flue mounting bracket with the center line drawn in the previous step and place it flush with the ceiling. Use the upper flue mounting bracket as a template to mark the position of the screws. Secure the upper flue bracket to the wall using 3 no. 10-12 x 2½" screws. Ensure that the bracket is tight against the wall.



## 8. INSTALL THE HOOD

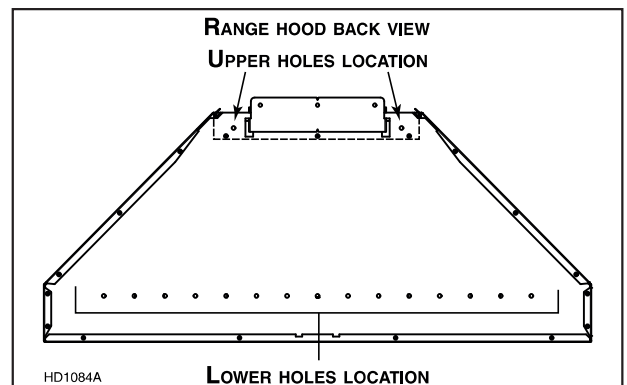
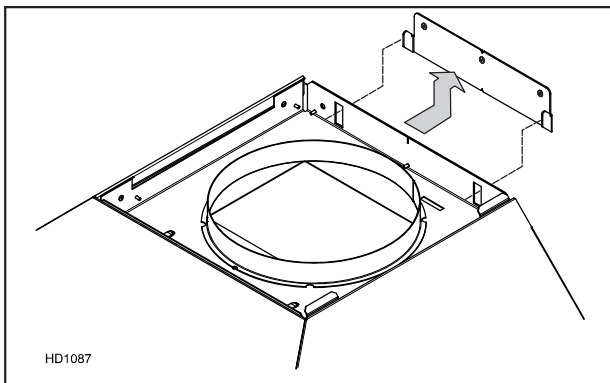
### **⚠ WARNING**

**BE CAREFUL** when installing the decorative flue and hood, they may have sharp edges.

### **CAUTION**

**DO NOT REMOVE** the protective plastic film covering the decorative flue (upper & lower) yet.

1. Align the hood and center it above the hood mounting bracket. Gently lower the hood until it securely engages the bracket.
2. Level the hood.
3. While the hood is hanging in place, secure it to the wall through both holes located in the upper back of hood using 2 no. 10-12 x 2½" screws and washers. If required, pre-drill holes before securing the screws.
4. Using at least 1 hole on each side of the lower back of the hood, secure the hood into solid material (wall studs) using 2 no. 10-12 x 2½" screws and washers. If required, pre-drill holes before securing the screws.



## 9. CONNECT THE WIRING

### ⚠ WARNING

Risk of electric shock. Electrical wiring must be done by qualified personnel in accordance with all applicable codes and standards. Before connecting wires, switch power off at service panel and lock service disconnecting means to prevent power from being switched on accidentally.

Insert the house wiring cable through the wire clamp, and tighten the wire clamp to secure the cable. Connect the power cable to the range hood wires using provided waterproof wire connectors. Connect BLACK to BLACK, WHITE to WHITE and GREEN or bare wire under GREEN ground screw. **DO NOT FORGET TO CONNECT THE GROUND.**

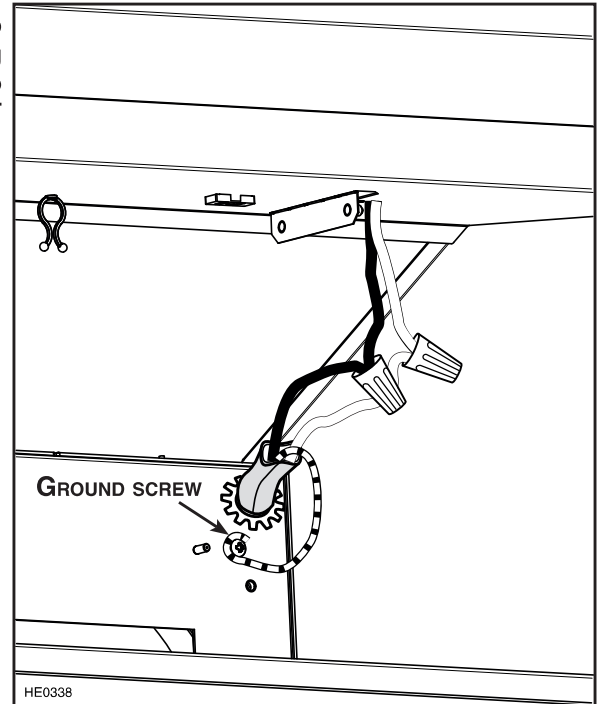
#### WATERPROOF WIRE CONNECTORS INSTRUCTIONS:

1. Strip wires 3/8".
2. Align frayed strands or conductors.
3. Do not pre-twist. Place stripped wires together with ends even, but lead smaller stranded wires slightly ahead of larger solid or stranded wire.
4. Twist connector onto wires pushing firmly until hand-tight. DO NOT over torque.
5. When inserting wires into connectors, some sealant may leak out. Wipe off excess sealant in and around conductors. DO NOT REUSE.

### CAUTION

When reinstalling the wiring box cover, carefully insert the screws by hand, then use a screwdriver to prevent stripping.

Reinstall wiring box cover, making sure not to pinch wires.

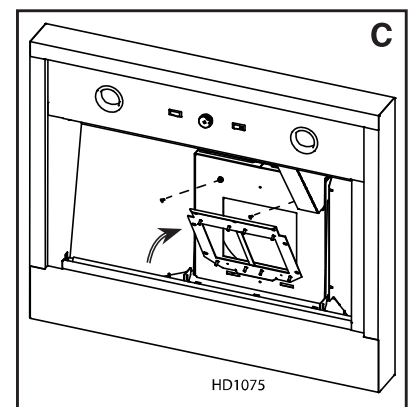
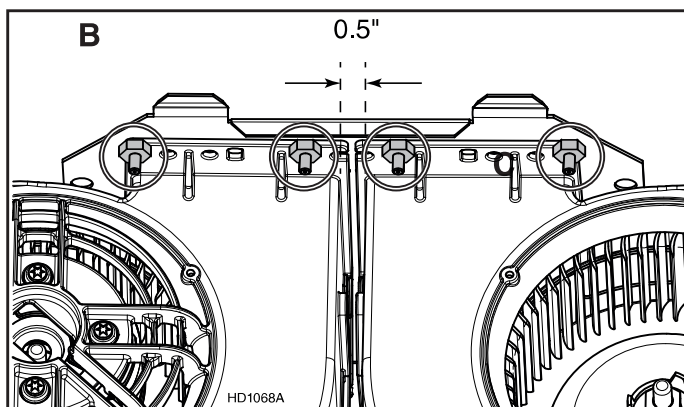
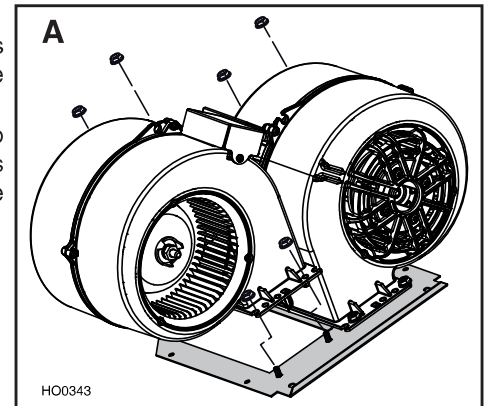


## 10. INSTALL THE BLOWER IN THE HOOD

Take the blower plate previously removed in step 4 and lay it on a protected surface.

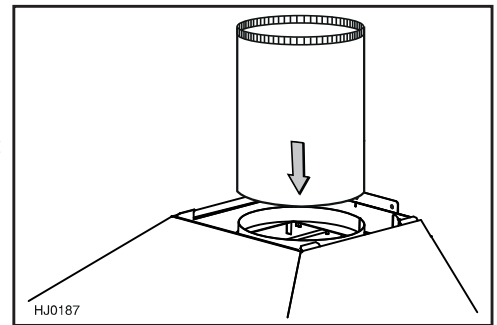
Mount both blowers on the blower plate using 8 hexagonal nuts included with the blowers (see illustration **A**). Make sure that both holes in the blower plate are entirely covered by the blowers. The blowers should be 0.5 inch apart (see illustration **B**).

Reinstall the blower plate with blowers inside the hood by insert the blower plate tabs into the slots and secure using both nuts previously removed in step 4 (see illustration **C**; blowers not shown to ease understanding). Connect the blower power cord to the hood, and tie the blower power cord using the preinstalled twist tie.



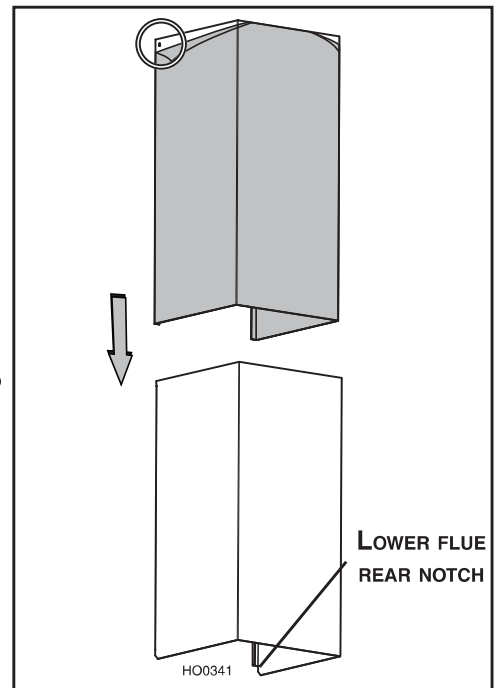
## 11. DUCT CONNECTION

Slide a 10" metal round duct over the adapter ring on top of the hood. Use metal foil duct tape to seal the joint.

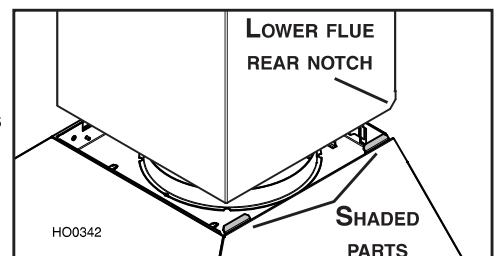


## 12. PREPARE AND INSTALL THE DECORATIVE FLUE

Remove the protective plastic film covering the lower flue only. Peel off both corners at the top of the upper flue. Position the lower flue rear notches down (the ones with the 45° angle). Gently slide the upper flue inside the lower flue, making sure the holes are on the top, so the upper flue can be screwed to the flue mounting bracket.

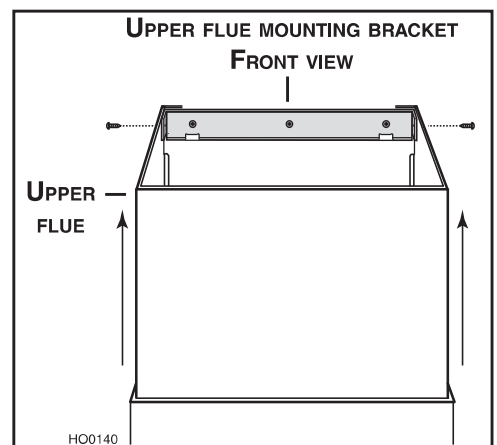


Carefully slide in place the decorative flues (notches end first) between the shaded parts and the exterior wall of the top of the hood.



Slide up the upper flue until it is aligned with its mounting bracket. The bracket must be inside the flue. Secure it to the bracket using 2 no. 8 x 3/8" screws (from hood parts bag). NOTE: Duct not shown in illustration to ease understanding.

Remove the protective plastic film covering the upper flue.



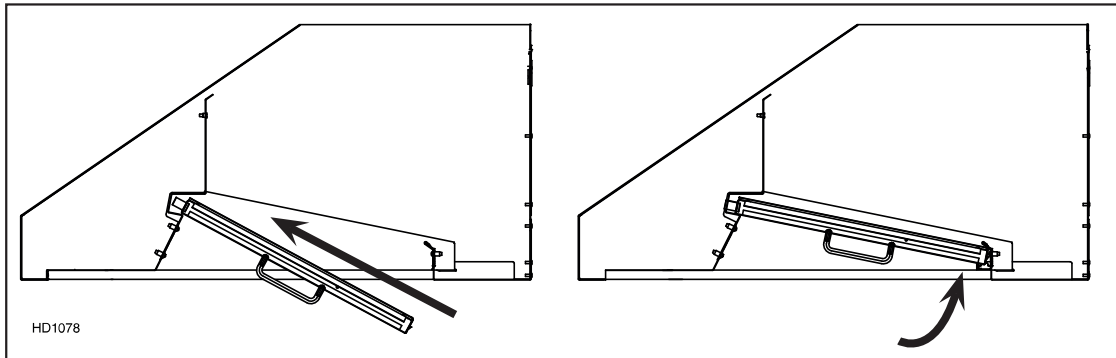
## 13. REINSTALL THE FILTERS

### CAUTION

Remove the protective plastic film covering the filters before installing them.

It is recommended to install side filters first and to finish with center one(s).

1. Insert the end of the filter with the spring into the front channel of the hood.
2. Raise the other end toward the inside of the hood and insert in the grease drip rail.



## 14. OPERATION

### CAUTION

Before using the range hood, remove the remaining protective plastic film covering the hood surfaces.

#### BLOWER

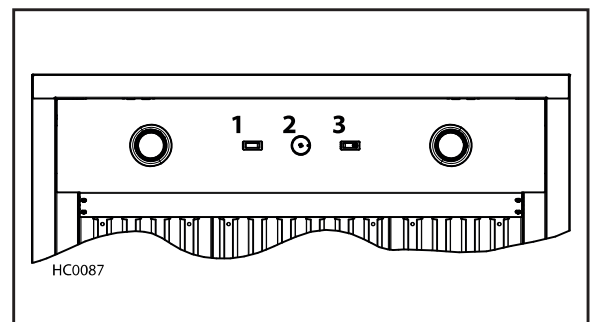
The blower is operated using two controls.

Use the ON/OFF rocker switch (1) to start and stop the blower. When turned ON, the switch turns red and the blower operates at the speed set by the speed control knob (2).

Turn the speed control knob counterclockwise to increase blower speed – clockwise to decrease speed.

#### COOKTOP LIGHTING (HALOGEN)

Use the ON/OFF rocker switch (3) to turn the halogen lights ON or OFF.



- 1) ON/OFF blower switch
- 2) Blower speed control knob
- 3) Halogen light switch

#### HEAT SENTRY™

This hood is equipped with a Heat Sentry™ thermostat. This thermostat is a device that will turn on the blower to high speed if it senses excessive heat above the cooking surface.

- 1) If blower is OFF - it turns blower ON to high speed.
- 2) If blower is already ON - it sets blower on high speed.

### ⚠ WARNING

The HEAT SENTRY can start the blower during a range top fire or other excessive heat situations even if the hood is turned off. In this case, it is impossible to turn the blower OFF using control panel switch. To stop the blower, disconnect blower cord plug.

When the temperature drops to normal, the blower will return to its original setting.



## 15. USE AND CARE

### **Baffle Filters**

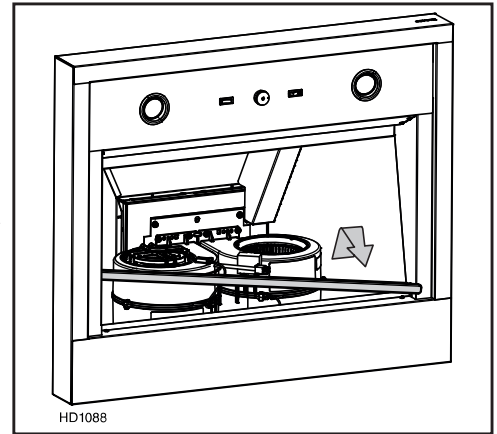
The baffle filters should be cleaned frequently. Use a warm detergent solution. Wash more often if your cooking style generates greater grease — like frying foods or wok cooking.

Remove the filters from the range hood by pushing them towards the nose of the hood and rotate downwards. Baffle filters are dishwasher safe. Allow filters to dry completely before reinstalling them in the hood.

Clean all-metal filters in the dishwasher using a non-phosphate detergent. Discoloration of the filters may occur if using phosphate detergent or as a result of local water conditions — but this will not affect filter performance. This discoloration is not covered by the warranty.

### **Grease Drip Rail**

The grease drip rail should be cleaned frequently. To remove, rotate the grease rail to disengage it from the bottom panel, then slide it away in a diagonal movement. Wash in a warm detergent solution. As with the baffle filters, wash more often if your cooking style generates greater grease — like frying foods or wok cooking. Allow the grease drip rail to dry completely before reinstalling it in the hood.



### **General cleaning instructions**

#### Stainless steel cleaning:

<b>Do:</b>	<b>Don't:</b>
<ul style="list-style-type: none"><li>• Regularly wash with clean cloth or rag soaked with warm water and mild soap or liquid dish detergent.</li><li>• Always clean in the direction of original polish lines.</li><li>• Always rinse well with clear water (2 or 3 times) after cleaning. Wipe dry completely.</li><li>• You may also use a specialized household stainless steel cleaner.</li></ul>	<ul style="list-style-type: none"><li>• Use any steel or stainless steel wool or any other scrapers to remove stubborn dirt.</li><li>• Use any harsh or abrasive cleansers.</li><li>• Allow dirt to accumulate.</li><li>• Let plaster dust or any other construction residues reach the range hood. During construction/renovation, cover the range hood to make sure no dust sticks to stainless steel surface.</li></ul>

#### **Avoid when choosing a detergent:**

- Any cleaners that contain **bleach** will attack stainless steel.
- Any products containing: **chloride, fluoride, iodide, bromide** will deteriorate surfaces rapidly.
- Any combustible products used for cleaning such as **acetone, alcohol, ether, benzol**, etc., are highly explosive and should never be used close to a range.

## 16. LIGHT BULBS REPLACEMENT

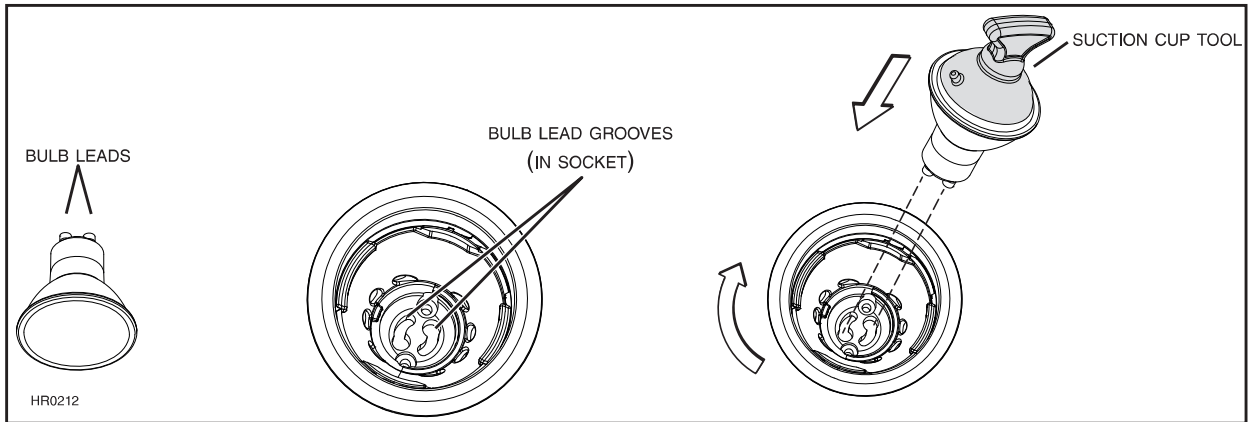
This hood is equipped with two 120 V, 50 W, MR16 with GU10 base, shielded halogen bulbs.

### ⚠ WARNING

**Do not touch lamps during or soon after operation. Burns may occur. In order to prevent the risk of personal injury, only install shielded halogen lamps. Also, never install a cool beam, a dichroic lamp, a lamp not suitable for use in recessed luminaires or identified for use in enclosed fixtures.**

To remove the bulbs, press suction cup tool (included in parts bag) on bulb and rotate counterclockwise to disengage the bulb leads from their grooves.

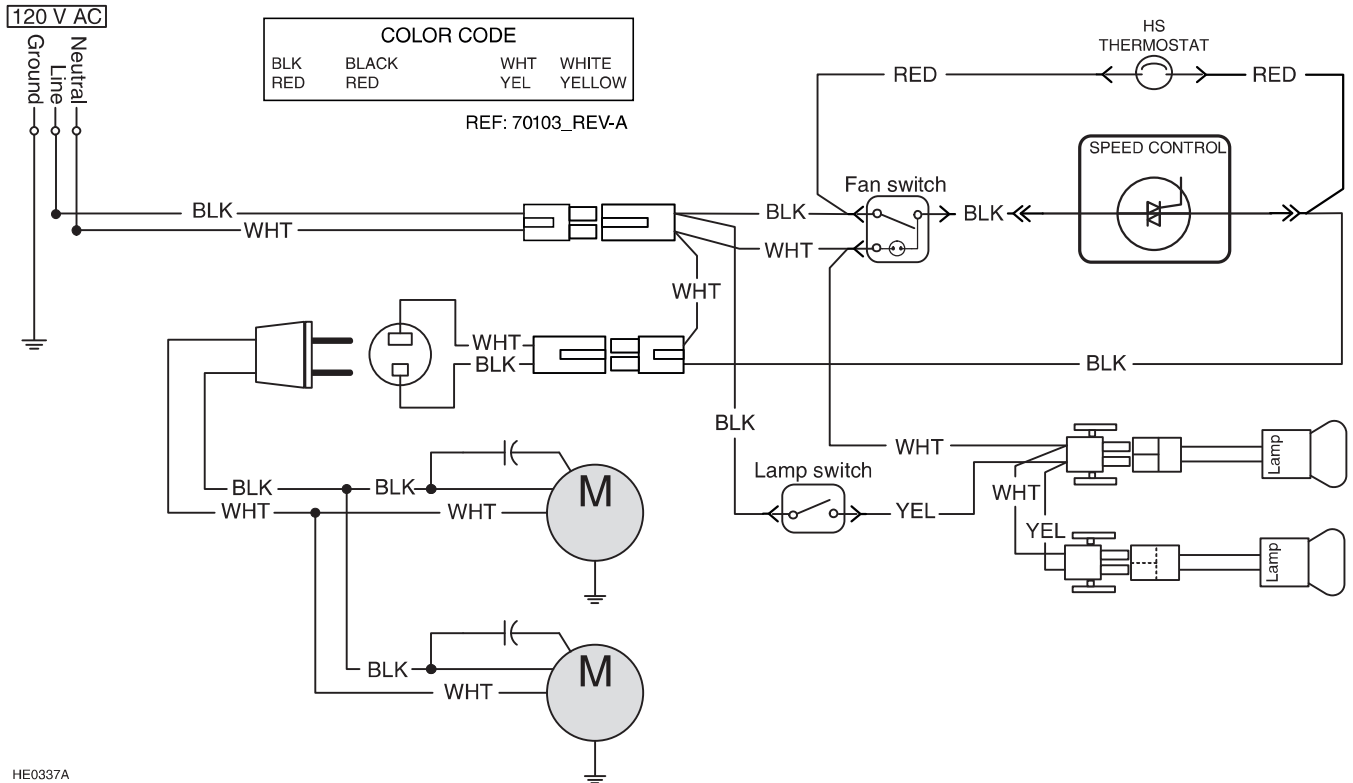
Install the new bulbs by placing the bulb leads into their grooves in the socket. Gently push upwards and turn clockwise until secure.



## 17. WIRING DIAGRAM

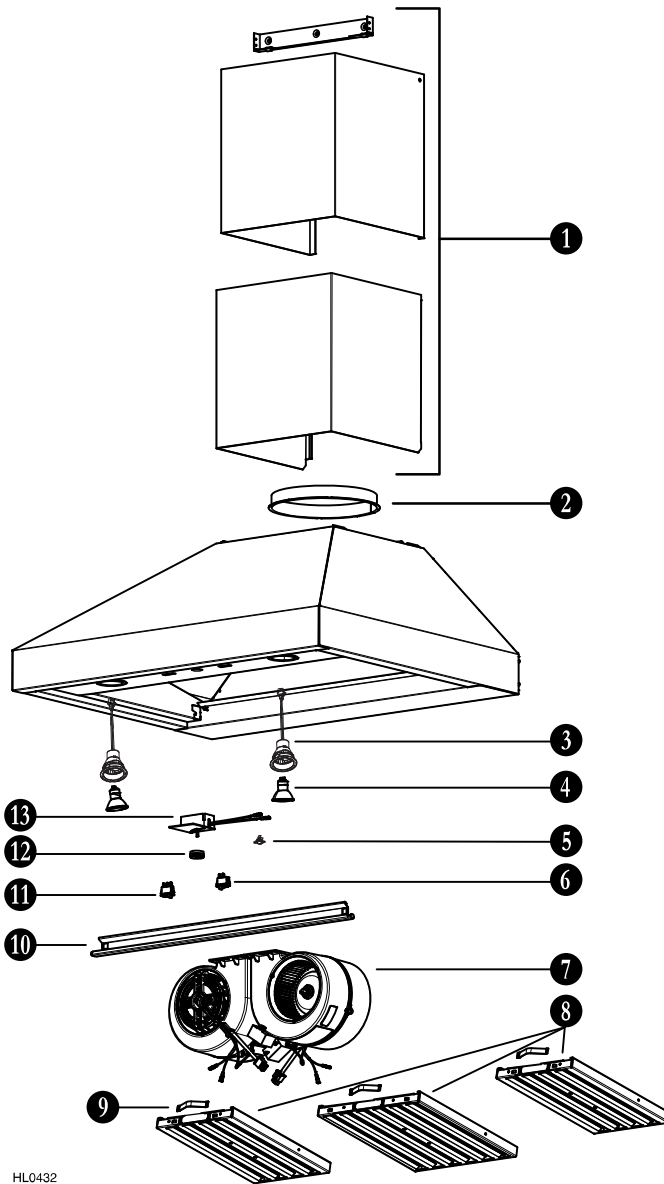
### ⚠ WARNING

**Risk of electrical shock. Electrical wiring must be done by qualified personnel in accordance with all applicable codes and standards. Before connecting wires, switch power off at service panel and lock service disconnecting means to prevent power from being switched on accidentally.**



HE0337A

## 18. SERVICE PARTS



HL0432

### REPLACEMENT PARTS AND REPAIRS

In order to ensure your unit remains in good working condition, you must use Coyote Outdoor Living Inc. genuine replacement parts only. Coyote Outdoor Living Inc. genuine replacement parts are specially designed for each unit and are manufactured to comply with all the applicable certification standards and maintain a high standard of safety. Any third party replacement part used may cause serious damage and drastically reduce the performance level of your unit, which will result in premature failing. Coyote Outdoor Living Inc. recommends to contact our Customer Service Department at 855-520-1559 for all replacement parts and service questions.

KEY NO.	PART NO.	DESCRIPTION	QUANTITY		
			36"	42"	48"
1	C1FLUE8*	DECORATIVE FLUE KIT - 8 TO 8.5-FT HIGH CEILING	1	1	1
1	C1FLUE10*	DECORATIVE FLUE KIT - 8.5 TO 9.5-FT HIGH CEILING	1	1	1
1	C1FLUE12*	DECORATIVE FLUE KIT - 9.5 TO 12-FT HIGH CEILING	1	1	1
2	SV08541	10" ROUND ADAPTER	1	1	1
3	SV16569	LIGHT SOCKET AND TRIM ASSEMBLY	2	2	2
4	SV05921	GU10 HALOGEN BULB	2	2	2
5	SV03435	HEAT SENTRY™ THERMOSTAT	1	1	1
6	SV02563	LIGHT ROCKER SWITCH	1	1	1
7	C1BLOW1200**	BLOWER ASSEMBLY	1	1	1
8	SV60675	BAFFLE FILTER WITH FILTER SPRING 11.84" x 15.125"	1	3	2
	SV60716	BAFFLE FILTER WITH FILTER SPRING 8.84" x 15.125"	2	0	2
9	SV08337	SPRINGS FOR BAFFLE FILTERS (SET OF 6)	1	1	1
10	SV65734	GREASE RAIL FOR 36-IN.-WIDE HOOD	1	0	0
	SV65735	GREASE RAIL FOR 42-IN.-WIDE HOOD	0	1	0
	SV65736	GREASE RAIL FOR 48-IN.-WIDE HOOD	0	0	1
11	SV03503	BLOWER ROCKER SWITCH	1	1	1
12	SV08549	BLOWER SPEED CONTROL KNOB	1	1	1
13	SV03501	BLOWER SPEED CONTROL	1	1	1
***	SV23320	PARTS BAG: 1 WIRE CLAMP, 3 WATERPROOF WIRE CONNECTORS, 14 NO. 10-12 x 2½" SCREWS, 4 NO. 8-18 x 3/8" SCREWS, 10 WASHERS, 1 SUCTION CUP.	1	1	1

\* OPTIONAL PART, SOLD SEPARATELY

\*\* PART SOLD SEPARATELY

\*\*\* NOT SHOWN

## 19. WARRANTY

---

TO THE MAXIMUM EXTENT PERMITTED BY LAW, THIS LIMITED WARRANTY AND THE REMEDIES SET FORTH BELOW ARE EXCLUSIVE AND IN LIEU OF ALL OTHER WARRANTIES, REMEDIES AND CONDITIONS, WHETHER ORAL OR WRITTEN, EXPRESS OR IMPLIED. TO THE MAXIMUM EXTENT PERMITTED BY LAW, COYOTE OUTDOOR LIVING, INC. ALSO SPECIFICALLY DISCLAIMS ANY AND ALL IMPLIED WARRANTIES, INCLUDING, WITHOUT LIMITATION, WARRANTIES OF MERCHANTABILITY AND FITNESS FOR A PARTICULAR PURPOSE.

Coyote Outdoor Living, Inc. issues this limited warranty to the original purchaser at the original site of delivery with proof of purchase and specifically warrants that the Outdoor Ventilation Hood or Liner, when subject to normal residential use, will be free from defects in workmanship and materials for one year from the date of original purchase. This limited warranty is not transferable and specifically excludes any ventilation product used in a commercial setting, where anyone other than the original purchaser (homeowner) would be using and maintaining the product. This limited warranty specifically excludes all issues that may arise from surface corrosion, scratches, and discoloration during regular use. It also does not extend to fluorescent lamp starters, tubes, halogen and incandescent bulbs, fuses, filters, ducts, roof caps, wall caps and other accessories for ducting. This limited warranty does **NOT COVER LABOR OR LABOR RELATED CHARGES** and there will be shipping and handling charges for the delivery of any needed part(s).

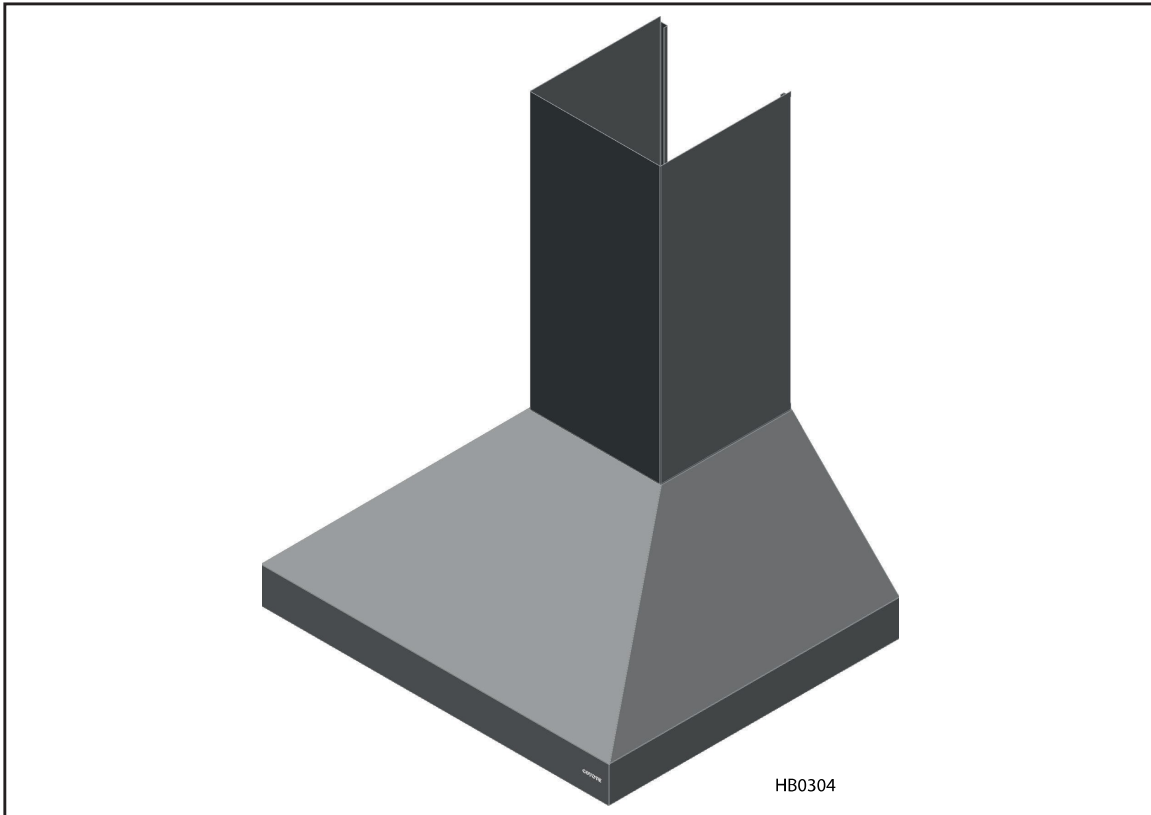
Coyote Outdoor Living, Inc.'s obligation under this limited warranty is limited solely to repair or replacement, at our option, of the pertinent component during the warranty period, and the extent of any liability of Coyote Outdoor Living, Inc. under this warranty is limited to repair or replacement. This limited warranty does not cover normal wear of parts or damage resulting from any of the following: negligent use or misuse of the product, improper maintenance or repair, faulty installation, use contrary to operating instructions, or alteration by any person other than a factory service center. The above warranty periods are not extended by any repair or replacement.

**WARRANTY CLAIM PROCEDURE:** If you require service or parts for your Coyote Grill, please contact our Warranty Service Center for factory direct assistance. Our hours of operation are 8 am to 4:30 pm CST. The phone number is 855.520.1559 and the email address is support@coyoteoutdoor.com. You may also fill out warranty claims online at www.coyoteoutdoor.com. Please have your model number, serial number and proof of purchase available for any warranty claim.

Coyote Outdoor Living, Inc. may require the return of defective parts for examination before issuing replacement parts. If you are required to return defective parts, shipping charges must be prepaid by the customer. Upon examination and to Coyote Outdoor's determination, if the original part is proven defective, Coyote Outdoor may approve your claim and elect to replace such parts without charge. In every instance, the customer is responsible for shipping and handling of replacement parts. Component repair or replacement is the exclusive remedy under this limited warranty and Coyote Outdoor shall not be liable for any incidental or consequential damages.

This limited warranty does not cover any failures or operating difficulties due to accidents, abuse, misuse, alteration, misapplication, vandalism, improper installation, maintenance or service, or damages caused by flashback fire or grease fire. This limited warranty does not cover scratches, dents, corrosion or discoloration caused by weather, heat, abrasive and chemical cleaners, pool or spa chemicals, and/or any tools used in the assembly or installation of this unit. This limited warranty does not cover paint loss, surface rust, corrosion or stainless steel discoloration which is considered normal wear and tear. This limited warranty does not cover the cost of any inconvenience, personal injury, or property damage due to improper use or product failure. Deterioration or damage due to severe weather conditions such as hail, hurricanes, earthquakes, tsunamis, tornadoes, terrorism, discoloration due to exposure to chemicals either directly or in the atmosphere, Acts of God/forces of Nature are not covered by this limited warranty.

## INSTRUCTIONS D'INSTALLATION DES HOTTES DE SÉRIE C1HOOD



**⚠️ CONÇUES UNIQUEMENT POUR LA CUISSON DOMESTIQUE EXTÉRIEURE ⚠️**

**LIRE ET CONSERVER CES DIRECTIVES**

INSTALLATEUR : LAISSER CE GUIDE AU PROPRIÉTAIRE.

PROPRIÉTAIRE : DIRECTIVES D'UTILISATION ET D'ENTRETIEN EN PAGES 8 ET 9.

COYOTE OUTDOOR LIVING, INC.

[www.coyoteoutdoor.com](http://www.coyoteoutdoor.com)

## **⚠ AVERTISSEMENT**

---

### **AFIN DE RÉDUIRE LES RISQUES D'INCENDIE, D'ÉLECTROCUTION OU DE BLESSURES CORPORELLES, SUIVEZ LES DIRECTIVES SUIVANTES :**

1. N'utilisez cet appareil que de la façon prévue par le fabricant. Si vous avez des questions, contactez le fabricant à l'adresse ou au numéro de téléphone indiqués dans la garantie.
2. Avant de réparer ou de nettoyer l'appareil, couper l'alimentation électrique en verrouillant le panneau de distribution afin d'éviter sa remise en marche accidentelle. Si le panneau de distribution ne peut être verrouillé, y fixer un avertissement en évidence, telle qu'une étiquette de couleur vive.
3. Les travaux d'installation et de raccordement électrique doivent être effectués par une personne qualifiée, conformément aux codes et aux standards de construction, incluant ceux concernant la protection contre les incendies.
4. Une quantité d'air adéquate est requise afin d'assurer une bonne combustion et l'évacuation des gaz par la cheminée dans le cas des équipements alimentés au gaz afin de prévenir les retours de cheminée. Conformez-vous aux instructions et aux standards de sécurité des fabricants d'équipement de chauffage, tel qu'ils sont publiés par la National Fire Protection Association (NFPA) et l'American Society for Heating, Refrigeration and Air Conditioning Engineers (ASHRAE) ainsi que les responsables des codes locaux.
5. Veillez à ne pas endommager le câblage électrique ou d'autres équipements non apparents lors de la découpe ou du perçage du mur ou du plafond.
6. Les ventilateurs avec conduits doivent toujours évacuer l'air à l'extérieur.
7. Ne pas utiliser cet appareil avec une commande de vitesse à semi-conducteur additionnelle.
8. Afin de réduire les risques d'incendie, n'utilisez que des conduits de métal.
9. Cet appareil doit être mis à la terre et protégé par un DDFT (disjoncteur de fuite à la terre).
10. Convient à une utilisation dans des lieux humides seulement lorsqu'elle est raccordée à un DISJONCTEUR DE FUITE À LA TERRE (DDFT).
11. Cet appareil n'est pas conçu pour être utilisé avec un barbecue au charbon de bois.
12. Lorsqu'une réglementation est en vigueur et qu'elle comporte des exigences d'installation et/ou de certification plus restrictives, lesdites exigences prévalent sur celles de ce document et l'installateur entend s'y conformer à ses frais.

### **AFIN DE RÉDUIRE LES RISQUES DE FEU DE CUISINIÈRE :**

- a) Ne jamais laisser les appareils de cuisson sans surveillance lorsqu'ils sont réglés à feu vif. Les débordements engendrent de la fumée et des déversements gras pouvant s'enflammer. Chauffez l'huile lentement, à feu doux ou moyen.
- b) Mettez toujours la hotte en marche lorsque vous cuisinez à feu vif ou que vous cuisinez des mets flambés (par ex. : crêpes Suzette, cerises jubilé, steaks au poivre flambés).
- c) Nettoyez régulièrement le ventilateur. Ne laissez pas la graisse s'accumuler sur le ventilateur, les filtres ou les conduits d'évacuation.
- d) Utilisez le bon format de casserole. Servez-vous toujours de casseroles et d'ustensiles appropriés à la dimension de la surface chauffante.

## **⚠ AVERTISSEMENT**

---

### **AFIN D'ÉVITER TOUT RISQUE DE BLESSURES LORS D'UN FEU DE CUISINIÈRE, SUIVEZ CES DIRECTIVES\* :**

1. Éteignez les flammes avec un couvercle hermétique, une tôle à biscuits ou un plateau métallique et ensuite, éteindre le brûleur. PRENEZ SOIN D'ÉVITER LES BRÛLURES. SI LES FLAMMES NE S'ÉTEIGNENT PAS IMMÉDIATEMENT, ÉVACUEZ LES LIEUX ET APPELEZ LES POMPIERS.
2. NE PRENEZ JAMAIS UNE CASSEROLE EN FLAMMES DANS VOS MAINS. Vous pourriez vous brûler.
3. N'UTILISEZ PAS D'EAU, incluant un linge à vaisselle ou une serviette mouillée, cela pourrait occasionner une violente explosion de vapeur.
4. N'utilisez un extincteur QUE DANS LE CAS OÙ :
  - A. Vous savez qu'il s'agit d'un extincteur de classe ABC et que vous en connaissez le fonctionnement.
  - B. L'incendie est petit et limité à l'endroit où il a débuté.
  - C. Les pompiers ont été avisés.
  - D. Vous pouvez combattre l'incendie en ayant accès à une sortie de secours.

\*Tirées du *Kitchen Fire Safety Tips* publié par la NFPA.

## **ATTENTION**

---

1. Pour usage domestique seulement. Ne pas utiliser pour évacuer des vapeurs ou des matières dangereuses ou explosives.
2. Afin d'éviter tout dommage au moteur et de débalancer ou de rendre bruyantes les roues de moteurs, garder votre appareil à l'abri des poussières de gypse et de construction/rénovation, etc.
3. Le moteur de votre hotte possède une protection thermique qui arrêtera automatiquement le fonctionnement du moteur s'il surchauffe. Le moteur redémarrera automatiquement une fois refroidi. Si le moteur continue à arrêter et à redémarrer, faites-le vérifier.
4. Le bas de votre hotte doit être situé à un minimum de 36 po au-dessus de la table de cuisson.
5. Deux installateurs sont recommandés lors de l'installation vu la grande dimension et le poids de cette hotte.
6. Afin de réduire les risques d'incendie, assurez-vous d'évacuer l'air à l'extérieur. Ne pas évacuer l'air dans des espaces restreints comme l'intérieur des murs ou plafond ou dans le grenier, faux plafond ou garage.
7. Cet appareil est équipé d'un thermostat pouvant faire démarrer le ventilateur automatiquement. Afin de réduire le risque de blessure, couper le courant à partir du panneau électrique et le verrouiller ou apposer un avertissement sur le panneau afin de prévenir que la hotte ne soit mise en marche accidentellement.
8. Afin de réduire les risques d'incendie et d'électrocution, la hotte Coyote de série C1HOOD ne doit être installée uniquement qu'avec le ventilateur interne C1BLOW1200. Aucun autre ventilateur ne doit être utilisé.
9. Veuillez consulter l'autocollant apposé à l'intérieur de la hotte pour plus d'information ou autres exigences.

# 1. PRÉPARER L'INSTALLATION

NOTE : Avant de commencer l'installation, vérifier le contenu de la boîte. Si des pièces sont manquantes ou endommagées, contacter le fabricant.

S'assurer que les articles suivants sont inclus :

- Hotte
- Accessoires
  - Support de montage de la hotte (fixé avec du ruban adhésif à l'intérieur de la hotte)
  - Adaptateur de 10 po rond (fixé avec du ruban adhésif à l'intérieur de la hotte)
  - Guide d'installation
  - Sac de pièces comprenant : 3 capuchons de connexion étanches, 1 serre-fils, 14 vis n° 10-12 x 2½ po, 4 vis n° 8-18 x 3/8 po, 10 rondelles, 1 ventouse (comprend plus de pièces que nécessaire pour l'installation) (le sac est fixé avec du ruban adhésif à l'intérieur de la hotte).

Pièces vendues séparément :

- Ensemble ventilateur modèle C1BLOW1200
- Conduit décoratif :
  - Pièce n° C1FLUE8 pour un plafond de 8 pi à 8,5 pi de hauteur
  - Pièce n° C1FLUE10 pour un plafond de 8,5 pi à 9,5 pi de hauteur
  - Pièce n° C1FLUE12 pour un plafond de 9,5 pi à 12 pi de hauteur.

# 2. INSTALLER LES CONDUITS ET LE CÂBLAGE ÉLECTRIQUE

## ⚠ AVERTISSEMENT

**Il est recommandé de porter des lunettes et des gants de sécurité lors de l'installation, de l'entretien et de la réparation de cet appareil. Cette hotte n'est pas conçue pour être utilisée avec un barbecue au charbon de bois.**

## ATTENTION

**Cette hotte est conçue pour être utilisée sur un patio couvert ou une véranda. Comme tous les électroménagers, cet appareil doit être à l'abri des intempéries.**

**Ces hottes doivent être installées avec le ventilateur C1BLOW1200 (vendu séparément). Ne pas utiliser d'autre ventilateur.**

Déterminer à quel endroit et de quelle façon les conduits seront installés. Un conduit droit et court permettra à votre hotte de fonctionner plus efficacement. Consulter les illustrations ci-dessous pour positionner l'ouverture pour le conduit.

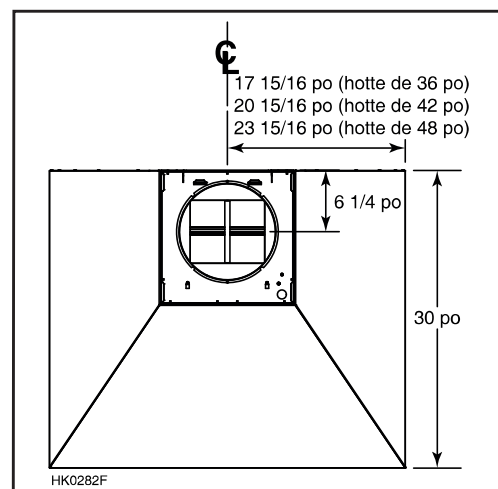
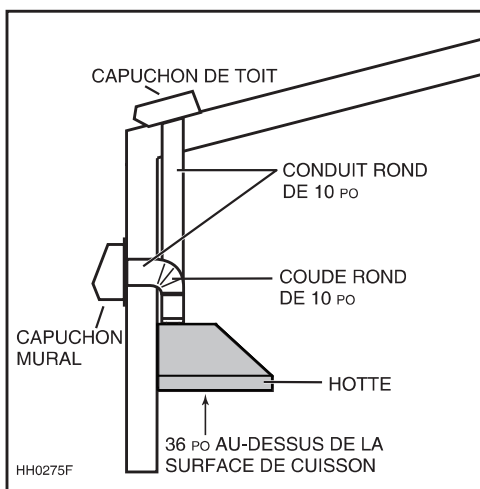
Installer des conduits de 10 po rond, des coudes (si nécessaires) et un capuchon de toit ou de mur. Relier le conduit en métal au capuchon, puis acheminer le conduit jusqu'à l'emplacement de la hotte. Sceller hermétiquement les raccords à l'aide de ruban adhésif de métal de 2 po de largeur.

## ⚠ AVERTISSEMENT

**Le fil d'alimentation électrique doit être raccordé à un disjoncteur de fuite à la terre (DDFT).**

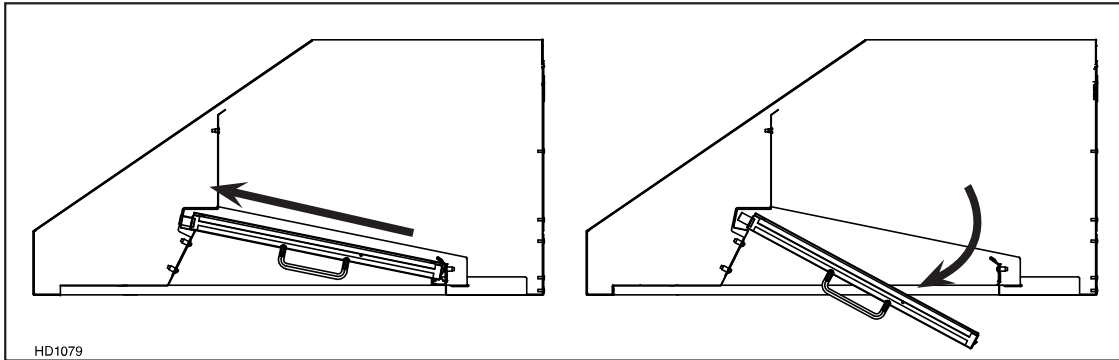
Acheminer un câble d'alimentation électrique à 3 conducteurs jusqu'à l'emplacement de la hotte.

**La hotte doit être installée à au moins 36 po au-dessus de la surface de cuisson.**



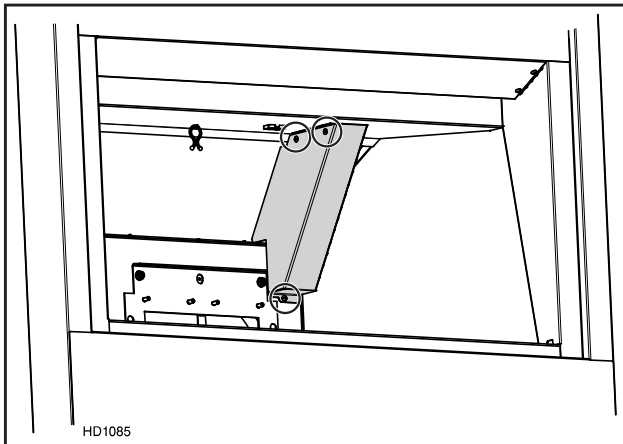
### 3. RETIRER LES FILTRES À GRAISSE

Déposer la hotte sur une surface protégée et retirer le ruban adhésif des filtres. Retirer les filtres en les poussant vers l'avant de la hotte et en les basculant. Retirer le sac de pièces, l'adaptateur et le support de montage de la hotte de l'intérieur de celle-ci et mettre ces pièces de côté.

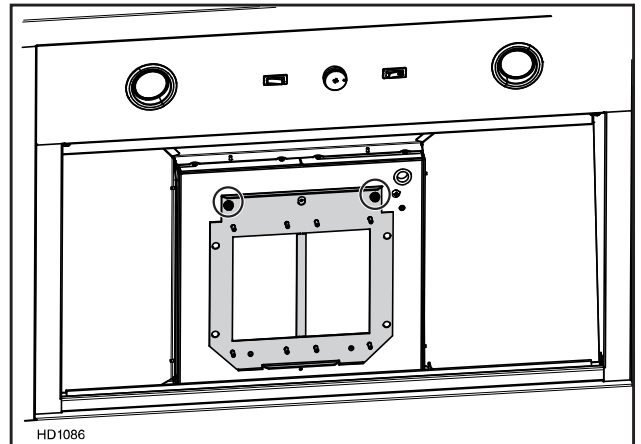


### 4. RETIRER LE COUVERCLE DU COMPARTIMENT ÉLECTRIQUE ET LA PLAQUE VENTILATEUR

À l'aide d'un tournevis Philips n° 2, retirer les 3 vis (encerclées dans l'illustration ci-dessous) retenant le couvercle du compartiment électrique à l'intérieur de la hotte. Mettre de côté le couvercle et ses vis.

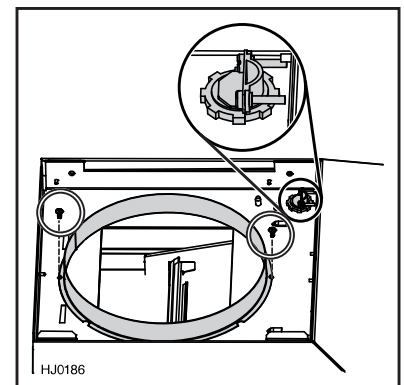


À l'aide d'un tourne-écrou de 3/8 po, retirer les 2 écrous retenant la plaque ventilateur au dessus interne de la hotte, puis mettre la plaque et les écrous de côté.



### 5. INSTALLER L'ADAPTATEUR ET LE SERRE-FILS

Fixer l'adaptateur de 10 po rond sur le dessus de la hotte à l'aide de 2 vis Phillips n° 8-18 x 3/8 po.  
NOTE : Utiliser les encoches les plus petites du pourtour de l'adaptateur.  
Installer le serre-fils (tel qu'il est démontré dans le médaillon de l'illustration de droite).





## 6. INSTALLER LE SUPPORT DE MONTAGE DE LA HOTTE

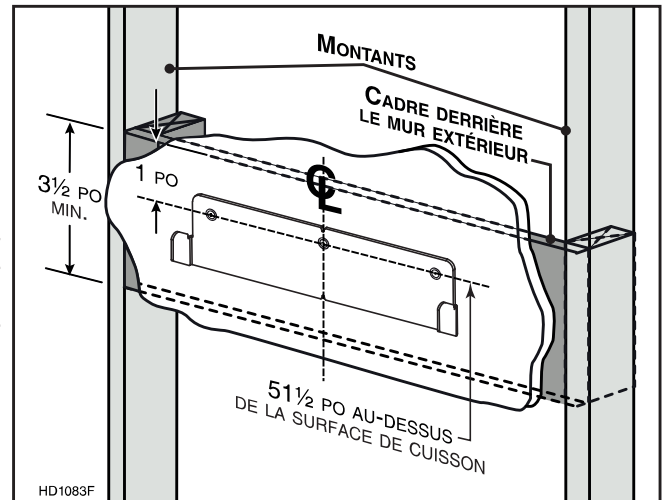
### ⚠ AVERTISSEMENT

Lors de la découpe ou du perçage dans un mur, veillez à ne pas endommager le câblage électrique ou d'autres équipements non apparents.  
S'assurer que le mur est assez solide pour supporter le poids de la hotte.

Si nécessaire, construire un cadre mural en bois en utilisant un madrier de 2 po x 4 po minimum. Un support structural adéquat est requis pour supporter le poids de la hotte.

Après la finition du mur, mesurer et tracer le centre de l'installation; tirer une ligne verticale jusqu'au plafond.

Centrer soigneusement le support au-dessus de l'emplacement de l'installation et le mettre au niveau. Fixer le support de montage au cadre mural à l'aide de 3 vis n° 10-12 x 2½ po.



## 7. INSTALLER LE SUPPORT DE MONTAGE DU CONDUIT DÉCORATIF SUPÉRIEUR

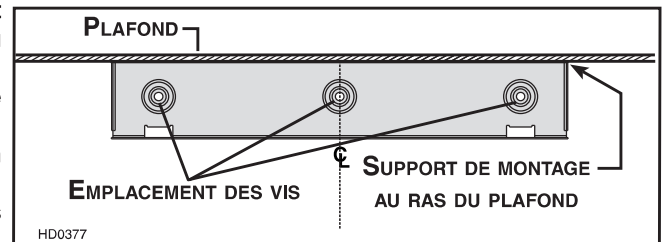
**NOTE:** Le support de montage du conduit décoratif supérieur est inclus dans la boîte du conduit décoratif, mais les vis du support de montage sont dans le sac de pièces de la hotte.

Centrer le support de montage du conduit décoratif supérieur selon la ligne tracée à l'étape précédente et le positionner au ras du plafond.

Utiliser le support de montage comme gabarit pour marquer la position des vis.

Fixer au mur le support de montage du conduit supérieur à l'aide de 3 vis n° 10-12 x 2½ po.

S'assurer que le support de montage est bien appuyé contre le mur.



## 8. INSTALLER LA HOTTE

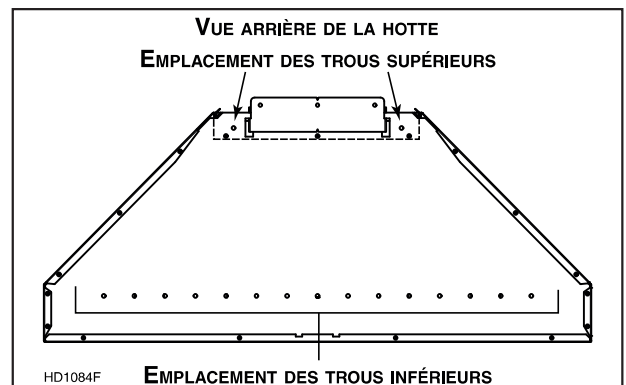
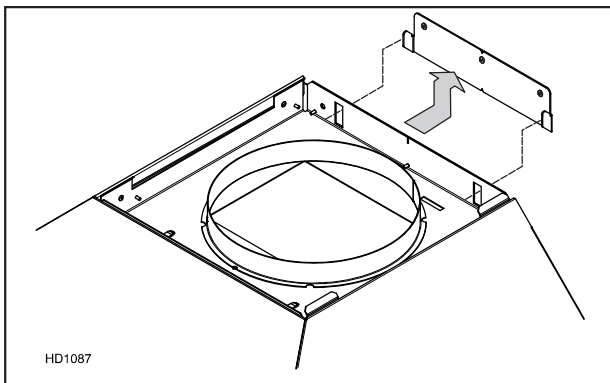
### ⚠ AVERTISSEMENT

**SOYEZ PRUDENT** lors de l'installation du conduit décoratif et de la hotte, il pourrait y avoir des arêtes vives.

### ATTENTION

**NE PAS RETIRER** pour l'instant la pellicule de plastique protectrice recouvrant les conduits décoratifs.

1. Aligner la hotte et la centrer au-dessus de son support de montage. Abaisser doucement la hotte jusqu'à ce qu'elle s'accroche à son support.
2. Mettre la hotte au niveau.
3. Une fois la hotte en place, fixer celle-ci au mur à travers les 2 trous situés au haut du dos de la hotte à l'aide de 2 vis n° 10-12 x 2½ po et rondelles. Si nécessaire, pratiquer des avant-trous avant de visser les vis.
4. En utilisant au moins un trou de chaque côté du bas du dos de la hotte, fixer la hotte à un matériau solide (montants) à l'aide de 2 vis n° 10-12 x 2½ po et rondelles. Si nécessaire, pratiquer des avant-trous avant de visser les vis.



## 9. BRANCHEMENT ÉLECTRIQUE

### ⚠ AVERTISSEMENT

**Risque d'électrocution. Le branchement électrique doit être effectué par du personnel qualifié conformément aux codes et aux standards en vigueur. Avant d'effectuer le branchement, coupez l'alimentation électrique au panneau de distribution et verrouillez-le pour éviter une mise en marche accidentelle.**

Passer le câble d'alimentation dans le serre-fils, puis serrer le serre-fils pour fixer le câble. Brancher les fils de la hotte aux fils du câble d'alimentation à l'aide des capuchons de connexions étanches fournis. Connecter le fil NOIR au NOIR, le fil BLANC au BLANC et le fil VERT ou dénudé à la vis de mise à la terre. **NE PAS OUBLIER DE CONNECTER LA MISE À LA TERRE.**

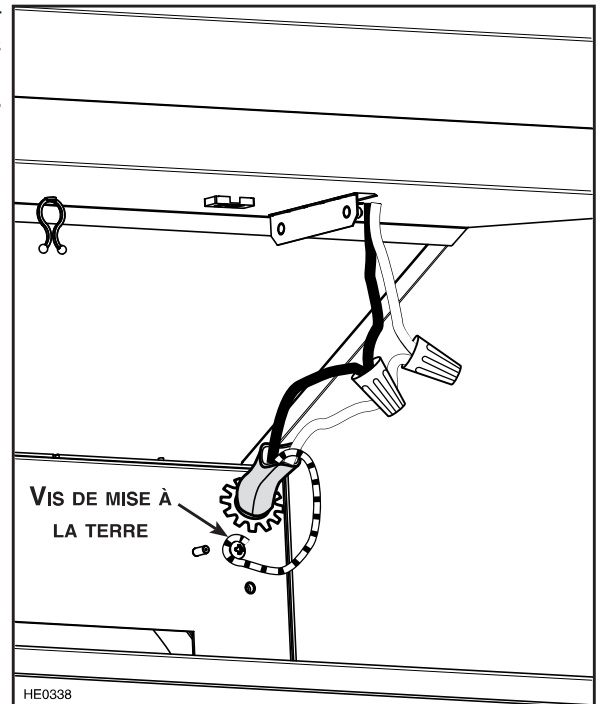
#### DIRECTIVES POUR L'UTILISATION DES CAPUCHONS DE CONNEXIONS ÉTANCHES :

1. Dégainer les fils d'une longueur de 3/8 po.
2. Égaliser les brins ou les conducteurs.
3. Ne pas les tordre. Rapprocher les fils et mettre leurs bouts égaux, sauf pour les fils à brins plus petits, lesquels doivent dépasser légèrement des fils plus gros.
4. Insérer les fils dans le capuchon de connexion en poussant légèrement et tordre. **NE PAS** trop tordre.
5. Un peu de scellant pourrait s'échapper lors de l'insertion des fils dans le capuchon de connexion. Essuyer l'excès de scellant autour des conducteurs. **NE PAS RÉUTILISER.**

### ATTENTION

**Lors de la remise en place du couvercle du compartiment électrique, insérer doucement les vis à la main, puis utiliser un tournevis manuel pour éviter d'endommager les filets des vis.**

Remettre en place le couvercle du compartiment électrique, en prenant garde de ne pas pincer les fils.



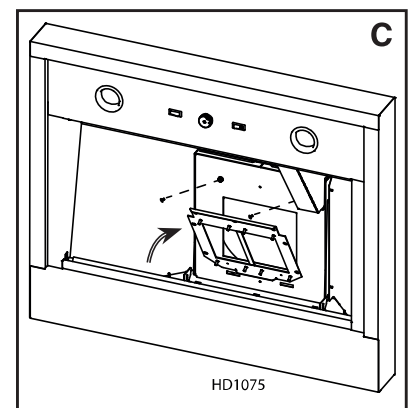
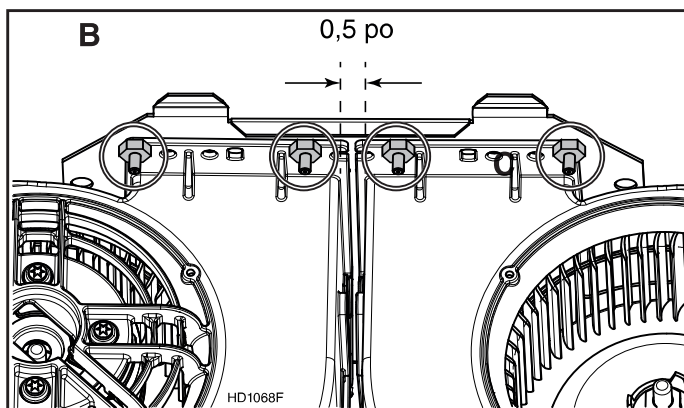
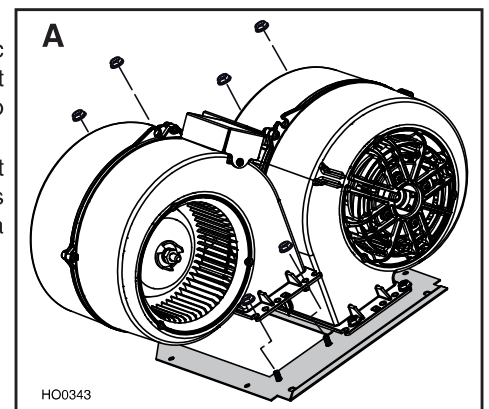
## 10. INSTALLER LE VENTILATEUR DANS LA HOTTE

Prendre la plaque ventilateur retirée à l'étape 4 et la déposer sur une surface protégée.

Assembler les deux ventilateurs sur la plaque à l'aide de 8 écrous hexagonaux inclus avec les ventilateurs (voir l'illustration **A**). S'assurer que les deux trous de la plaque ventilateur sont complètement couverts par les ventilateurs; les ventilateurs doivent être distants de 0 5 po l'un de l'autre (voir l'illustration **B**).

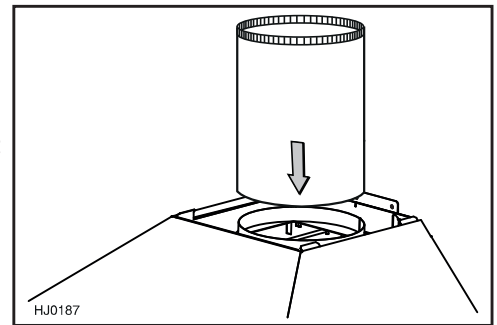
Remettre en place la plaque ventilateur avec les ventilateurs dans la hotte en insérant les pattes de la plaque dans les fentes et fixer la plaque à la hotte à l'aide des 2 écrous retirés à l'étape 4 (voir l'illustration **C**; les ventilateurs ne sont pas illustrés afin de faciliter la compréhension).

Brancher le cordon d'alimentation du ventilateur dans la hotte, puis attacher le câble d'alimentation à l'aide de l'attache installée en usine.



## 11. RACCORDEMENT DU CONDUIT

Glisser un conduit rond de 10 po en métal par-dessus l'adaptateur. Sceller hermétiquement le joint à l'aide de ruban adhésif de métal.



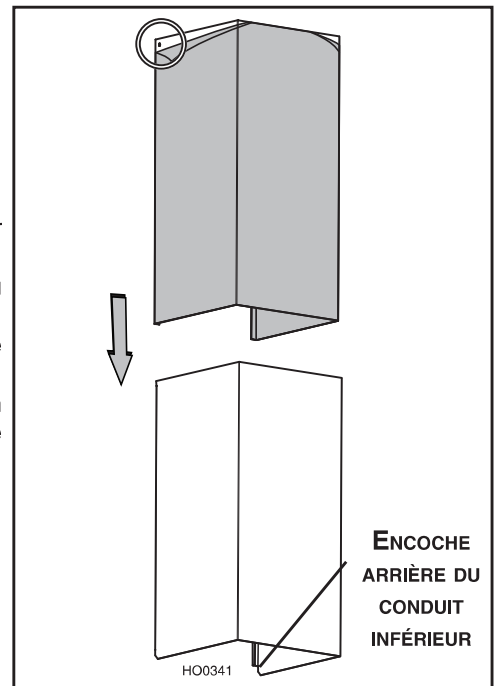
## 12. PRÉPARER ET INSTALLER LE CONDUIT DÉCORATIF

Ne retirer que la pellicule de plastique protectrice recouvrant le conduit décoratif inférieur seulement.

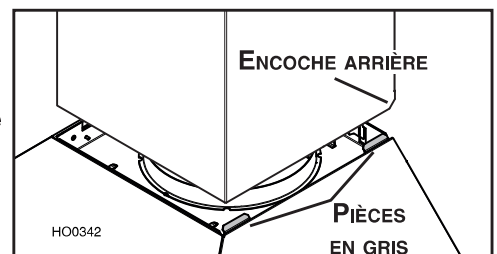
N'enlever que juste assez de plastique protecteur pour dégager les coins supérieurs du conduit décoratif supérieur.

Positionner les encoches arrière du conduit inférieur vers le bas (celles avec un angle de 45°).

Glisser délicatement le conduit décoratif supérieur dans le conduit décoratif inférieur, en s'assurant que les trous sont en haut, pour que le conduit décoratif supérieur puisse être fixé à son support de montage.



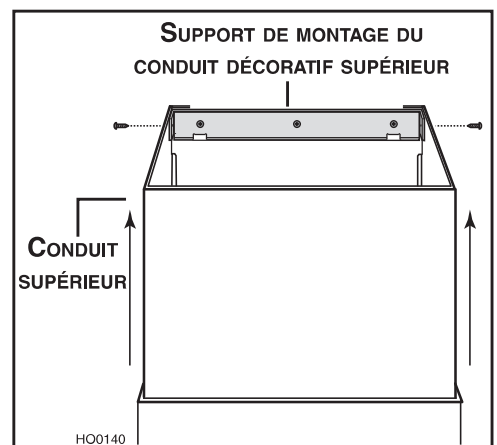
Glisser délicatement en place le conduit décoratif (le côté des encoches en premier) entre les pièces en gris et la paroi extérieure du dessus de la hotte (voir l'illustration ci-contre).



Soulever le conduit décoratif supérieur jusqu'au niveau de son support de montage. Ce dernier doit être à l'intérieur du conduit. Fixer le conduit supérieur au support à l'aide des 2 vis n° 8 x 3/8 po (incluses dans le sac de pièces de la hotte).

NOTE : Conduit non montré dans l'illustration afin de faciliter la compréhension.

Retirer la pellicule de plastique protectrice recouvrant le conduit décoratif supérieur.



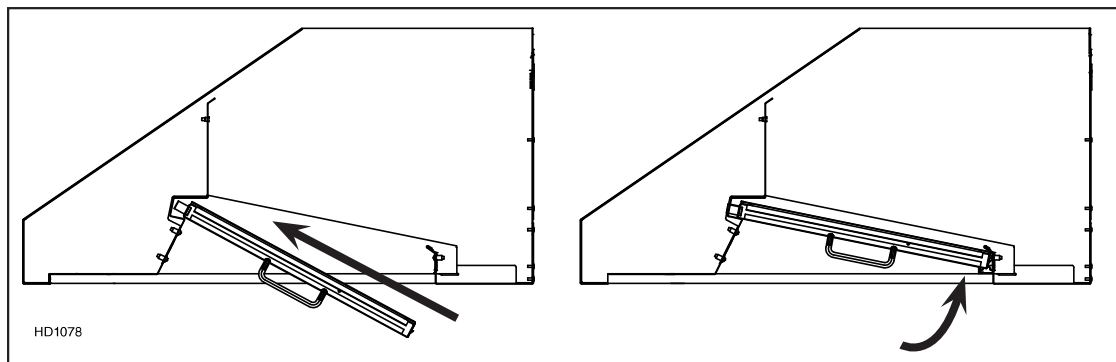
## 13. RÉINSTALLER LES FILTRES

### ATTENTION

Retirer la pellicule de plastique protectrice des filtres avant de les remettre en place.

Il est recommandé d'installer d'abord les filtres situés aux extrémités et de terminer par le(s) filtre(s) du centre.

1. Introduire l'extrémité du filtre ayant un ressort dans le rail avant de la hotte.
2. Lever l'autre bout du filtre à l'intérieur de la hotte et l'introduire dans la gouttière.



## 14. FONCTIONNEMENT

### ATTENTION

Avant d'utiliser la hotte, retirer les pellicules de plastique protectrices sur les surfaces de celle-ci.

#### VENTILATEUR

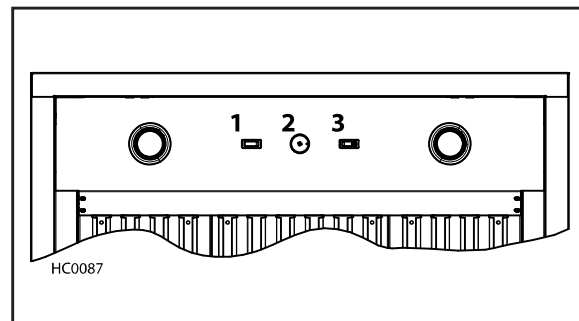
Le ventilateur fonctionne à l'aide de 2 commandes.

Utiliser l'interrupteur à bascule MARCHE/ARRÊT (1) pour activer et arrêter le ventilateur. Lorsque l'interrupteur est à la position marche, sa lumière rouge s'allume et le ventilateur fonctionne à la vitesse réglée par le bouton de la commande de vitesse (2).

Tourner le bouton de la commande de vitesse dans le sens antihoraire pour augmenter la vitesse du ventilateur et dans le sens horaire pour ralentir sa vitesse.

#### ÉCLAIRAGE DE LA SURFACE DE CUISSON (HALOGÈNE)

Utiliser l'interrupteur à bascule MARCHE/ARRÊT (3) pour allumer et éteindre les lumières.



- 1) Interrupteur MARCHE/ARRÊT du ventilateur
- 2) Bouton de commande de vitesse du ventilateur
- 3) Interrupteur d'éclairage halogène

#### HEAT SENTRY<sup>MC</sup>

Cette hotte est équipée d'un thermostat Heat Sentry. Ce thermostat est un dispositif qui mettra en marche le ventilateur en haute vitesse s'il détecte de la chaleur excessive au-dessus de la surface de cuisson.

- 1) Si le ventilateur n'est pas en marche, il activera le ventilateur en haute vitesse.
- 2) Si le ventilateur est déjà en marche, le ventilateur passera en haute vitesse.

### ⚠ AVERTISSEMENT

**Le HEAT SENTRY peut mettre le ventilateur en marche même s'il est arrêté. Si tel est le cas, il est impossible d'arrêter le ventilateur avec son interrupteur. Si vous devez arrêter le ventilateur, débrancher le cordon d'alimentation du ventilateur.**

Lorsque la température revient à la normale, le ventilateur retourne à sa vitesse d'origine.

## 15. ENTRETIEN

### Filtres à chicane

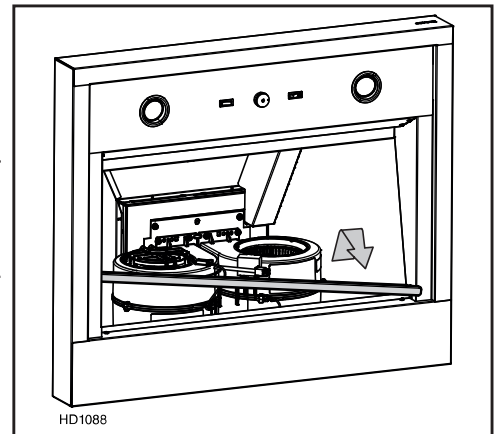
Les filtres à chicane doivent être nettoyés fréquemment. Utiliser une solution d'eau chaude et de détergent. Les filtres à chicane doivent être lavés plus souvent si vos habitudes de cuisson génèrent plus de graisse, par exemple de la friture ou des aliments sautés au wok.

Retirer les filtres en les poussant vers l'avant de la hotte et en les basculant. Les filtres à chicane sont lavables au lave-vaisselle. Laisser les filtres sécher complètement avant de les réinstaller dans la hotte.

Nettoyer les filtres fabriqués entièrement de métal au lave-vaisselle à l'aide d'un détergent sans phosphate. L'utilisation d'un détergent avec phosphates ainsi que les conditions locales de l'eau peuvent entraîner une décoloration des filtres, sans toutefois affecter leur performance. Cette décoloration n'est pas couverte par la garantie.

### Gouttière

La gouttière doit être nettoyée fréquemment. Pour la retirer, la dégager du panneau inférieur en la retournant, puis la soulever en un mouvement diagonal. Utiliser une solution d'eau chaude et de détergent pour la nettoyer. Tout comme les filtres à chicane, la laver plus souvent si vos habitudes de cuisson génèrent plus de graisse, par exemple de la friture ou des aliments sautés au wok. Essuyer complètement la gouttière avant de la réinstaller dans la hotte.



### Nettoyage de la hotte

Nettoyage de l'acier inoxydable :

À faire :	À ne pas faire :
<ul style="list-style-type: none"><li>• Laver régulièrement les surfaces à l'aide d'un chiffon ou linge propre imbibé d'eau tiède et de savon doux ou de détergent liquide à vaisselle.</li><li>• Toujours nettoyer dans le sens du polissage.</li><li>• Toujours bien rincer avec de l'eau claire (2 à 3 fois) et essuyer complètement.</li><li>• Un nettoyant domestique conçu spécialement pour l'acier inoxydable peut aussi être utilisé.</li></ul>	<ul style="list-style-type: none"><li>• Ne pas utiliser de laine d'acier ou d'acier inoxydable ou tout autre grattoir pour enlever la saleté tenace.</li><li>• Ne pas utiliser une poudre nettoyante abrasive ou rugueuse.</li><li>• Ne pas laisser la saleté s'accumuler.</li><li>• Ne pas laisser la poussière de plâtre ou tout autre résidu de construction atteindre la hotte. Couvrir la hotte pour la durée des travaux afin de s'assurer qu'aucune poussière n'atteigne la hotte.</li></ul>

### À éviter lors du choix d'un détergent :

- Tous produits nettoyants contenant des **agents de blanchiment**; ils attaqueront l'acier inoxydable.
- Tous produits contenant du **chlorure**, du **fluorure**, de **l'iode** ou du **bromure**; ils détérioreront rapidement les surfaces.
- Tous produits combustibles utilisés pour le nettoyage : **acétone**, **alcool**, **éther**, **benzène**, etc.; ils sont grandement explosifs et ne devraient jamais être utilisés près d'une cuisinière.

## 16. REMPLACEMENT DES AMPOULES

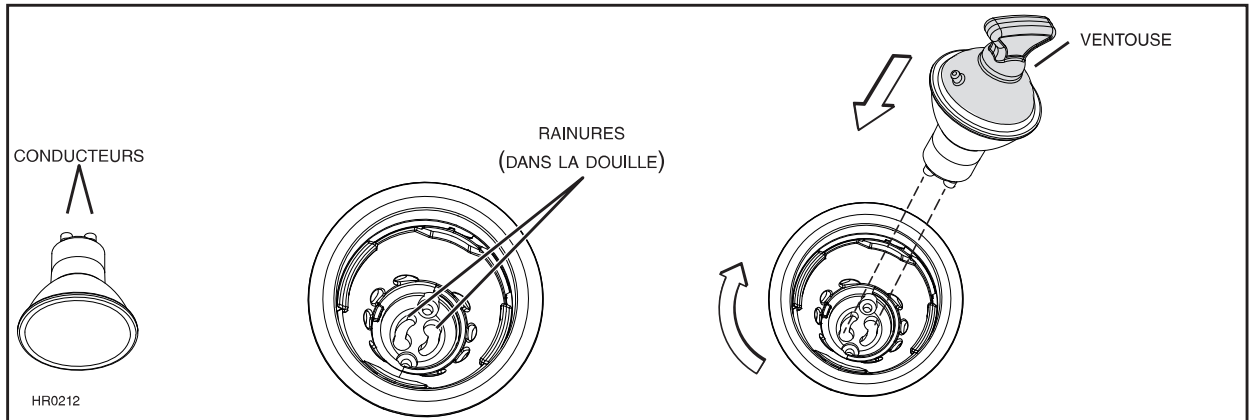
L'éclairage de cette hotte est produit par des ampoules halogènes avec écran de 120 V, 50 W, MR16 à culot GU10.

### ⚠ AVERTISSEMENT

**Ne pas toucher aux lampes durant ou peu après leur utilisation. Peuvent causer des brûlures. Afin de réduire le risque de blessures corporelles, n'installer que des ampoules halogènes avec écran. Aussi, ne jamais installer une ampoule à faisceau froid, dichroïque, non conçue pour des luminaires encastrés ou conçue uniquement pour des luminaires fermés.**

Pour retirer les ampoules, appuyer la ventouse (incluse dans le sac de pièces de la hotte) sur l'ampoule et tourner dans le sens antihoraire pour dégager les conducteurs de l'ampoule des rainures de la douille.

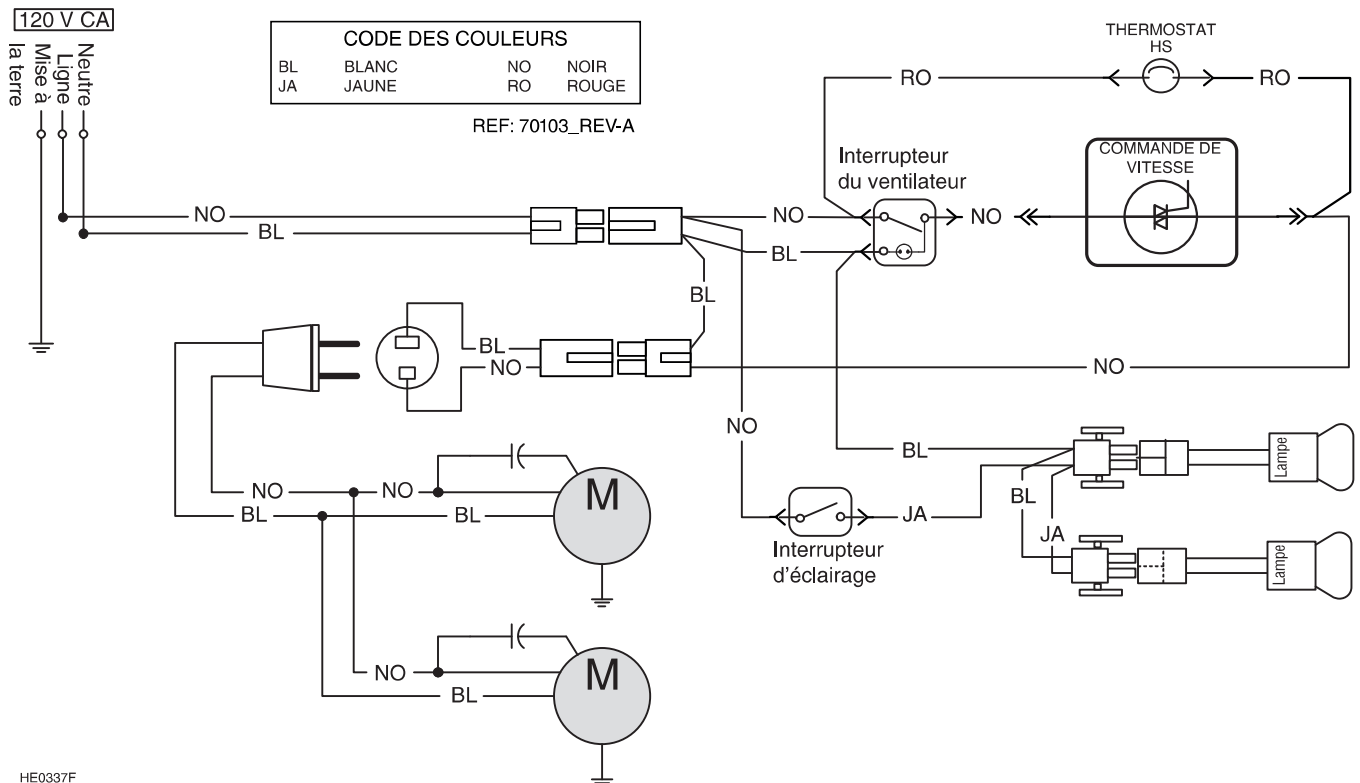
Installer les nouvelles ampoules en glissant les conducteurs dans les rainures à l'intérieur de la douille. Pousser doucement vers le haut et tourner dans le sens horaire jusqu'à ce que l'ampoule soit bien en place.



## 17. SCHÉMA ÉLECTRIQUE

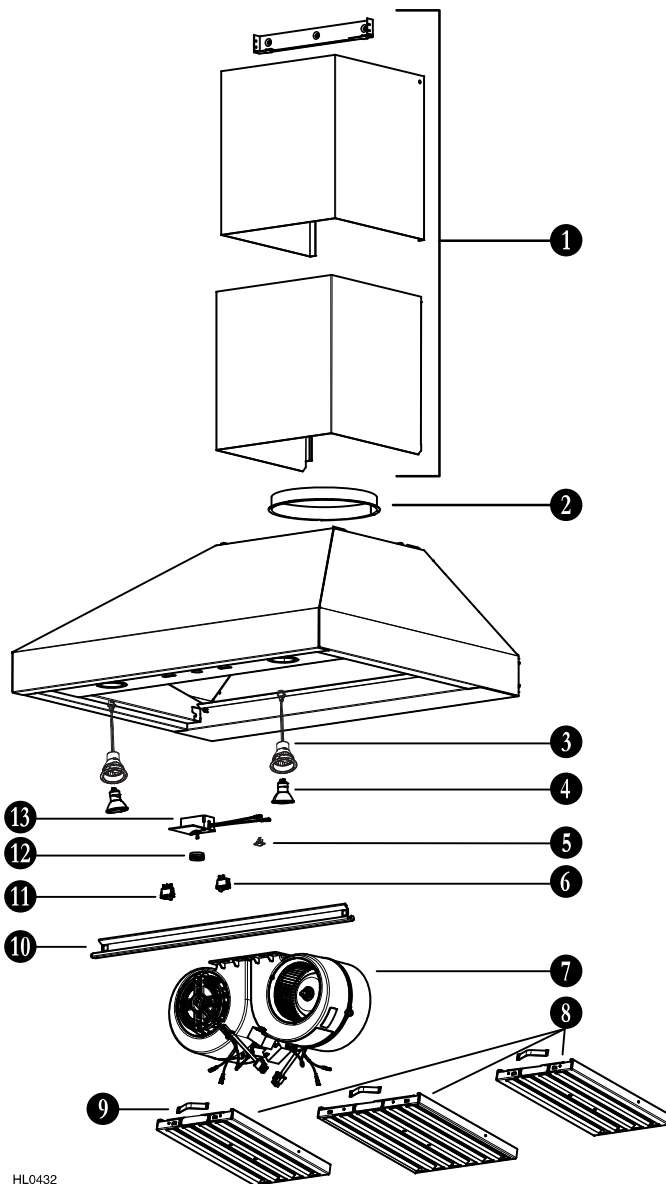
### ⚠ AVERTISSEMENT

**Risque d'électrocution. Le branchement électrique doit être effectué par du personnel qualifié conformément aux codes et aux standards en vigueur. Avant d'effectuer le branchement, coupez l'alimentation électrique au panneau de distribution et verrouillez-le pour éviter une mise en marche accidentelle.**



HE0337F

## 18. PIÈCES DE RECHANGE



HL0432

### PIÈCES DE REMPLACEMENT ET SERVICE

Pour assurer le bon fonctionnement de votre appareil, vous devez toujours utiliser des pièces d'origine provenant de Coyote Outdoor Living Inc. Les pièces d'origine de Coyote Outdoor Living Inc. sont spécialement conçues pour satisfaire toutes les normes de certification de sécurité applicables. Leur remplacement par des pièces ne provenant pas de Coyote Outdoor Living Inc. pourrait ne pas assurer la sécurité de l'appareil, entraîner une réduction sévère des performances ainsi qu'un risque de défaillance prématurée. Coyote Outdoor Living Inc. recommande de contacter notre Service à la clientèle au 855 520-1559 pour toutes questions relatives à vos pièces de remplacement et appels de service.

N°	PIÈCE N°	DESCRIPTION	QUANTITÉ		
			36 PO	42 PO	48 PO
1	C1FLUE8*	ENSEMBLE DE CONDUIT DÉCORATIF - PLAFONDS DE 8 PI À 8,5 PI DE HAUTEUR	1	1	1
1	C1FLUE10*	ENSEMBLE DE CONDUIT DÉCORATIF - PLAFONDS DE 8,5 PI À 9,5 PI DE HAUTEUR	1	1	1
1	C1FLUE12*	ENSEMBLE DE CONDUIT DÉCORATIF - PLAFONDS DE 9,5 PI À 12 PI DE HAUTEUR	1	1	1
2	SV08541	ADAPTATEUR ROND DE 10 PO	1	1	1
3	SV16569	ENSEMBLE DE DOUILLE ET GARNITURE DE LAMPE	2	2	2
4	SV05921	AMPOULE HALOGÈNE GU10	2	2	2
5	SV03435	THERMOSTAT HEAT SENTRY <sup>MC</sup>	1	1	1
6	SV02563	INTERRUPTEUR À BASCULE DE L'ÉCLAIRAGE	1	1	1
7	C1BLOW1200**	ENSEMBLE VENTILATEUR	1	1	1
8	SV60675	FILTRE À CHICANE AVEC RESSORT 11,84 PO X 15,125 PO	1	3	2
	SV60716	FILTRE À CHICANE AVEC RESSORT 8,84 PO X 15,125 PO	2	0	2
9	SV08337	RESSORTS POUR FILTRE À CHICANE (JEU DE 6)	1	1	1
10	SV65734	GOUTTIÈRE POUR HOTTE DE 36 PO DE LARGEUR	1	0	0
	SV65735	GOUTTIÈRE POUR HOTTE DE 42 PO DE LARGEUR	0	1	0
	SV65736	GOUTTIÈRE POUR HOTTE DE 48 PO DE LARGEUR	0	0	1
11	SV03503	INTERRUPTEUR À BASCULE DU VENTILATEUR	1	1	1
12	SV08549	BOUTON DE LA COMMANDE DE VITESSE DU VENTILATEUR	1	1	1
13	SV03501	COMMANDE DE VITESSE DU VENTILATEUR	1	1	1
***	SV23320	SAC DE PIÈCES : 1 SERRE-FILS, 3 CAPUCHONS DE CONNEXION ÉTANCHES, 14 VIS N° 10-12 X 2½ PO, 4 VIS N° 8-18 X 3/8 PO, 10 RONDELLES, 1 VENTOUSE.	1	1	1

\* PIÈCE OPTIONNELLE, VENDUE SÉPARÉMENT

\*\* PIÈCE VENDUE SÉPARÉMENT

\*\*\* NON ILLUSTRÉE

## 19. GARANTIE

---

DANS LA PLEINE MESURE PERMISE PAR LA LOI, LA PRÉSENTE GARANTIE RESTREINTE ET LES RECOURS QUI Y SONT PRÉVUS SONT EXCLUSIFS ET L'EMPORTENT SUR LES AUTRES GARANTIES, RECOURS ET MODALITÉS, QU'ILS AIENT ÉTÉ STIPULÉS EXPLICITEMENT OU TACITEMENT, À L'ORAL OU À L'ÉCRIT. EN OUTRE, DANS LA PLEINE MESURE PERMISE PAR LA LOI, COYOTE OUTDOOR LIVING, INC. REJETTE EXPRESSÉMENT TOUTE GARANTIE IMPLICITE, Y COMPRIS LES GARANTIES DE QUALITÉ MARCHANDE ET D'ADAPTATION À UN USAGE PARTICULIER.

Coyote Outdoor Living, Inc., par la présente garantie restreinte qu'elle donne, avec preuve d'achat, à l'acheteur original au lieu de la livraison originale du produit, garantit expressément la hotte ou la doublure de ventilation extérieure contre les défauts de fabrication et de matériaux pour un an à partir de la date de l'achat original, à condition qu'elles soient soumises à une utilisation résidentielle normale. Cette garantie n'est pas transférable et exclut expressément tout produit de ventilation utilisé dans un contexte commercial où une personne autre que l'acheteur original (le propriétaire de la résidence) l'utiliserait et en ferait l'entretien. Elle exclut aussi expressément, dans un contexte d'utilisation normale, tout problème pouvant découler de la corrosion ainsi que les égratignures et la décoloration à la surface du produit. Elle ne s'applique pas non plus aux tubes fluorescents et aux démarreurs, ni aux ampoules halogènes ou incandescentes, fusibles, filtres, conduits, capuchons de toit, capuchons muraux et autres accessoires pour conduits. Enfin, la présente garantie NE COUVRE PAS LES FRAIS DE MAIN-D'ŒUVRE DIRECTS OU INDIRECTS, l'expédition et la manutention de toute pièce requise étant aux frais de l'acheteur.

Coyote Outdoor Living, Inc. n'est tenu par la présente garantie restreinte qu'à la réparation ou au remplacement, le choix étant laissé à sa discrétion, de la pièce défectueuse durant la période de garantie. Ne sont pas couverts l'usure normale des pièces ni les dommages découlant : d'une utilisation négligente ou inadéquate du produit; de réparations ou d'un entretien inadéquats; d'une mauvaise installation; d'une utilisation contraire aux instructions; ou d'une altération effectuée par quiconque n'est pas mandaté par le centre de service de l'usine. Les réparations et remplacements effectués ne sauraient prolonger la période de garantie.

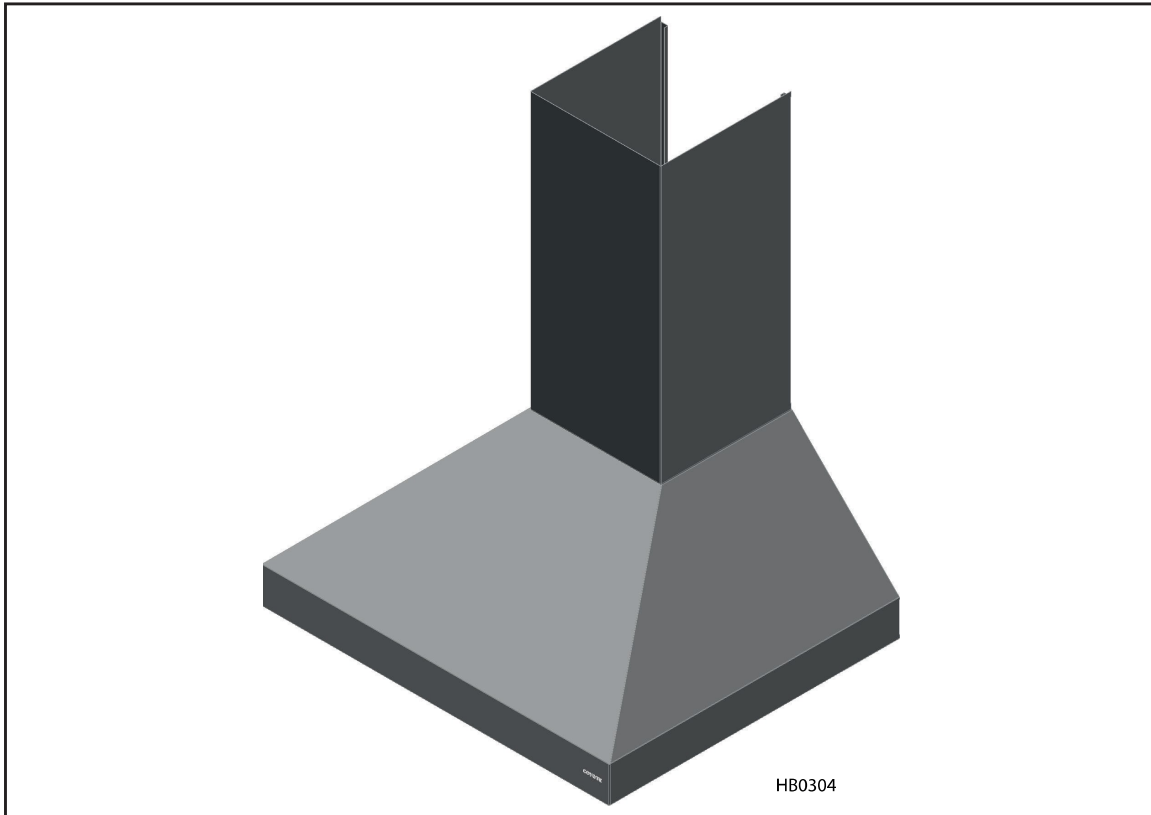
**PROCÉDURE DE RÉCLAMATION :** Si vous avez besoin d'assistance ou de pièces pour votre grill Coyote, veuillez communiquer avec notre centre de service de garantie pour obtenir une assistance directe de l'usine, entre 8 h et 16 h 30 (HNC). Vous pouvez composer le 855 520-1559 ou écrire à [support@coyoteoutdoor.com](mailto:support@coyoteoutdoor.com). Vous pouvez aussi remplir le formulaire de réclamation en ligne au [www.coyoteoutdoor.com](http://www.coyoteoutdoor.com). Pour faire une réclamation, vous aurez besoin du numéro de modèle, du numéro de série et de votre preuve d'achat. En cas de réclamation, Coyote Outdoor Living, Inc. peut vous demander de lui retourner les pièces défectueuses afin de les examiner avant de vous envoyer des pièces de remplacement, auquel cas vous devrez prépayer les frais d'expédition. Si, après examen des pièces retournées, Coyote Outdoor Living, Inc. constate un défaut sur une pièce originale, il pourra accepter votre réclamation et remplacer la pièce défectueuse gratuitement. Dans tous les cas, c'est l'acheteur qui assume les frais d'expédition et de manutention des pièces de remplacement. Votre seul recours aux termes de la présente garantie restreinte est la réparation ou le remplacement de pièces, et Coyote Outdoor Living, Inc. ne saurait être responsable de tout dommage consécutif ou indirect.

La présente garantie restreinte ne couvre pas les défaillances ou les difficultés d'utilisation dues à un accident, à une utilisation abusive ou inadéquate, à une altération, à un acte de vandalisme, à une installation ou un entretien inadéquats, ou à des dommages causés par un retour de flamme ou un feu de graisse. Elle ne couvre pas non plus les égratignures, les bosses, la corrosion ou la décoloration causées par des intempéries, la chaleur, des produits nettoyants abrasifs ou chimiques, des produits chimiques pour piscine ou spa, ou les outils utilisés pour l'assemblage ou l'installation du produit. Ne sont pas non plus couverts l'écaillage de la peinture, ni la rouille ou la corrosion à la surface, ni la décoloration de l'acier inoxydable, qui sont considérés comme des effets de l'usure normale du produit. La présente garantie ne couvre aucunement le coût des désagréments, blessures ou dommages matériels que vous pourriez subir en raison d'une mauvaise utilisation ou d'une défaillance du produit. Enfin, elle ne couvre pas la détérioration ni les dommages causés par des événements météorologiques extrêmes, comme des averses de grêle, des ouragans, des tremblements de terre, des tsunamis, des tornades, ou toute autre catastrophe naturelle, ou par des actes de terrorisme, et exclut la décoloration découlant d'une exposition à des produits chimiques, que ce soit par contact direct ou par transmission aérienne.





## INSTRUCCIONES DE INSTALACIÓN DE LAS CAMPANAS DE SERIE C1HOOD



**⚠️ EXCLUSIVAMENTE PARA COCINAS DOMÉSTICAS EXTERIORES ⚠️**

**LEA ESTAS INSTRUCCIONES Y GUÁRDELAS**

INSTALADOR: ENTREGUE ESTE MANUAL AL PROPIETARIO DE LA CASA.  
PROPIETARIO: INFORMACIÓN SOBRE UTILIZACIÓN Y CUIDADO  
EN LAS PÁGINAS 8 Y 9.

**COYOTE OUTDOOR LIVING, INC.**

[www.coyoteoutdoor.com](http://www.coyoteoutdoor.com)

## **⚠️ ADVERTENCIA**

---

### **PARA REDUCIR EL RIESGO DE INCENDIO, DESCARGA ELÉCTRICA O LESIÓN CORPORAL, RESPETE LAS SIGUIENTES INDICACIONES:**

1. Utilice esta unidad únicamente de la forma en que indica el fabricante. Si tiene cualquier pregunta, póngase en contacto con el fabricante en la dirección o el teléfono que aparecen en la garantía.
2. Antes de reparar o limpiar el aparato, apáguelo en el tablero de servicio y bloquee los medios de desconexión para impedir que la corriente se conecte accidentalmente. Cuando no se pueda bloquear los medios de desconexión, coloque un dispositivo de advertencia visible (como una etiqueta) en el tablero de servicio.
3. La instalación y la conexión eléctrica deben ser realizadas por personal calificado de acuerdo con todos los códigos y normas aplicables, incluso los relativos a la construcción ignífuga.
4. Para lograr una combustión adecuada y una extracción correcta de los gases a través de la salida del humo (chimenea) del equipo quemador de combustible — evitando así el contratiro — es necesario disponer de aire suficiente. Siga las directrices del fabricante del equipo de material térmico y las normas de seguridad, como las que publica la NFPA (asociación de protección contra los incendios) y la ASHRAE (sociedad estadounidense de técnicos de calefacción, refrigeración y aire acondicionado) así como los códigos de los organismos responsables locales.
5. Al cortar o perforar la pared o el techo, procure no dañar el cableado eléctrico ni otras instalaciones de servicios públicos.
6. Los ventiladores entubados siempre deben tener salida al exterior.
7. No utilice este aparato con un dispositivo de control de velocidad con semiconductores.
8. Para reducir el riesgo de incendio, utilice sólo tuberías metálicas.
9. Este aparato debe conectarse a tierra y ha de estar protegido con un disyuntor.
10. Adecuado para lugares húmedos cuando se instala en un circuito de derivación PROTEGIDO CON UN DISYUNTOR.
11. Este aparato no está pensado para utilizarse con una parrilla de carbón.
12. Cuando una reglamentación local esta en vigor y conlleva exigencias de instalación y/o de certificación más estrictas, susodichas exigencias prevalecen sobre aquellas en este documento y el instalador acepta someterse a estas exigencias a sus gastos.

### **PARA REDUCIR EL RIESGO DE QUE ARDA LA GRASA EN LA PARTE SUPERIOR DE LA COCINA:**

- a) No deje nunca recipientes de cocina a fuego vivo sin vigilancia. Los desbordamientos producen humo y derrames grasientos que pueden inflamarse. Caliente el aceite despacio, a fuego lento o mediano.
- b) Ponga en marcha siempre la campana extractora al cocinar a temperaturas elevadas o al cocinar alimentos flameados (crepas Suzette, cerezas jubilee, res con pimienta flambeada).
- c) Limpie los ventiladores con frecuencia. No deje que la grasa se acumule en el ventilador, ni en los filtros o en los conductos de evacuación.
- d) Utilice cacerolas de tamaño apropiado. Emplee siempre un recipiente adecuado para el tamaño de la placa.

## **⚠️ ADVERTENCIA**

---

### **PARA REDUCIR EL RIESGO DE LESIONES CORPORALES EN EL CASO DE QUE ARDA LA GRASA EN LA PARTE SUPERIOR DE LA COCINA, SIGA ESTAS INDICACIONES\*:**

1. SOFOQUE LAS LLAMAS con una tapa ajustada, una hoja o bandeja metálica para hornear galletas, y apague luego el quemador. TENGA CUIDADO PARA EVITAR QUEMADURAS. SI LAS LLAMAS NO SE APAGAN INMEDIATAMENTE, EVACUE EL LUGAR Y LLAME A LOS BOMBEROS.
2. NO SUJETE NUNCA UNA SARTÉN EN LLAMAS ya que podría quemarse.
3. NO USE AGUA, ni trapos húmedos. Podría causar una violenta explosión de vapor.
4. Utilice un extintor SOLAMENTE si:
  - A. Tiene un extintor de tipo ABC y sabe usarlo.
  - B. El incendio es pequeño y está circunscrito a la zona donde empezó.
  - C. Ya ha llamado a los bomberos.
  - D. Puede tratar de apagar el fuego si dispone siempre de una salida detrás de usted.

\* Fuente: "Kitchen Fire Safety Tips" publicado por la NFPA

## **PRECAUCIÓN**

---

1. Sólo para ventilación general. No debe utilizarse para extraer materiales o vapores peligrosos o explosivos.
2. Para evitar daños en el cojinete de los motores y que las hélices haga ruido o se desequilibre, mantenga la campana lejos de los vaporizadores de pirca, del polvo de la construcción, etc.
3. El motor de la campana tiene un dispositivo contra sobrecargas térmicas que apaga el motor automáticamente si éste se sobrecalienta. El motor volverá a ponerse en marcha cuando se enfríe. Si el motor sigue apagándose, haga examinar la campana.
4. Para que la campana capte bien las impurezas que se desprenden al cocinar, la distancia mínima entre la campana y la superficie de la cocina debe ser a 36 pulgadas.
5. Dado el peso y el tamaño de esta unidad, se aconseja que la instalen dos personas.
6. Para reducir los riesgos de incendio y extraer el aire debidamente, el aire debe evacuarse fuera. No extraiga el aire a espacios situados entre las paredes, en el techo o en el desván, falso techo o garaje.
7. Este producto está equipado con un termostato que puede poner en marcha el ventilador automáticamente. Para reducir el riesgo de que se produzcan daños y evitar poner en marcha la alimentación accidentalmente, apague la corriente en el tablero de servicio, bloquee este tablero o ponga una etiqueta de advertencia.
8. Para reducir el riesgo de incendio y de choque eléctrico, los modelos de la serie C1HOOD de Coyote deben instalarse únicamente con el ventilador C1BLOW1200 (se vende aparte). No emplee otros ventiladores.
9. Para mayor información y conocer los requisitos, lea la etiqueta con las especificaciones en el producto.

# 1. PREPARACIÓN DE LA INSTALACIÓN

NOTA: Antes de comenzar la instalación, verificar el contenido de la caja. Si alguna pieza falta o está dañada, póngase en contacto con el fabricante.

Compruebe que el conjunto para la instalación contiene los elementos siguientes:

- Campana
- Accesorios
  - Soporte de montaje de la campana (retenido con cinta adhesiva en el interior de la campana)
  - Adaptador redondo de 10 pulgadas (retenido con cinta adhesiva en el interior de la campana)
  - Manual de instalación
  - Bolsa de piezas que incluye: 3 conectores impermeables de hilos, 1 abrazadera para hilos, 14 tornillos n.º 10-12 x 2½", 4 tornillos n.º 8-18 x 3/8", 10 arandelas, 1 ventosa (incluye más piezas que necesarias para la instalación) (la bolsa esta retenida con cinta adhesiva en el interior de la campana).

Piezas vendidas por separado:

- Ventilador C1BLOW1200
- Conducto decortiva:
  - Pieza n.º C1FLUE8 para un techo de 8 pies a 8.5 pies de altura
  - Pieza n.º C1FLUE10 para un techo de 8,5 pies a 9,5 pies de altura
  - Pieza n.º C1FLUE12 para un techo de 9,5 pies a 12 pies de altura.

# 2. INSTALAR LOS CONDUCTOS Y EL CABLEADO ELÉCTRICO

## ⚠ ADVERTENCIA

Se aconseja llevar lentes y guantes de seguridad para instalar, reparar o limpiar la campana. Este campana no es diseñada por una utilización con un parilla de carbón.

## PRECAUCIÓN

Este campana está prevista para patios o terrazas exteriores cubiertos. Como ocurre con todos los aparatos eléctricos, se debe proteger esta campana todo lo posible de la intemperie.

Estas campanas deben instalarse con el ventilador C1BLOW1200 (se vende aparte). No lo sustituya por otro ventilador.

Planifique dónde y cómo instalará los conductos. Un conducto recto y corto hará que la campana funcione más eficientemente. Consulte las ilustraciones que aparecen a continuación para localizar la abertura del conducto.

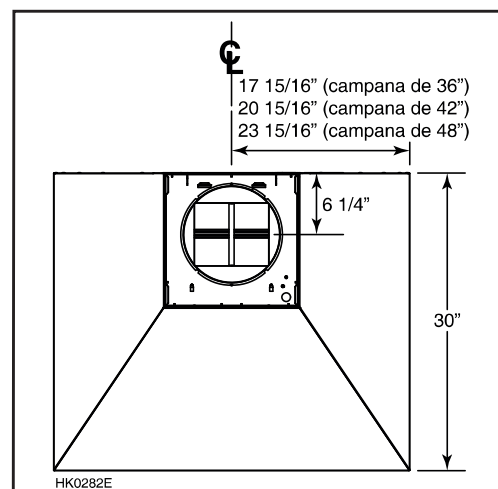
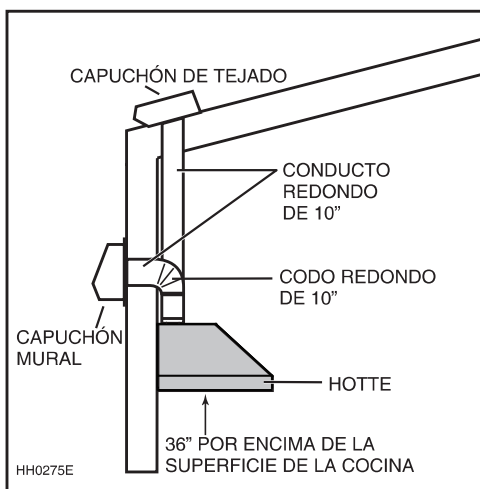
Instale conductos, codos (si es necesario) y el capuchón de la pared o del tejado de 10 pulgadas. Empiece conectando el conducto de metal al capuchón y prosiga hacia el lugar donde se encuentre la campana. Utilice cinta adhesiva metálica de 2 pulgadas para sellar las juntas.

## ⚠ ADVERTENCIA

El cable de alimentación debe ser un circuito de derivación protegido con un disyuntor.

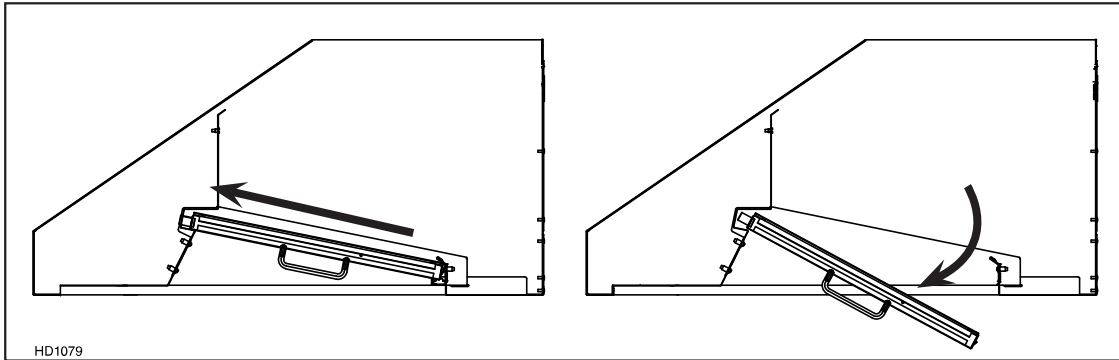
Lleve un cable de alimentación de tres hilos hasta el lugar de la instalación.

La distancia mínima entre la campana y la superficie sobre la que se cocina no debe ser inferior a 36 pulgadas.



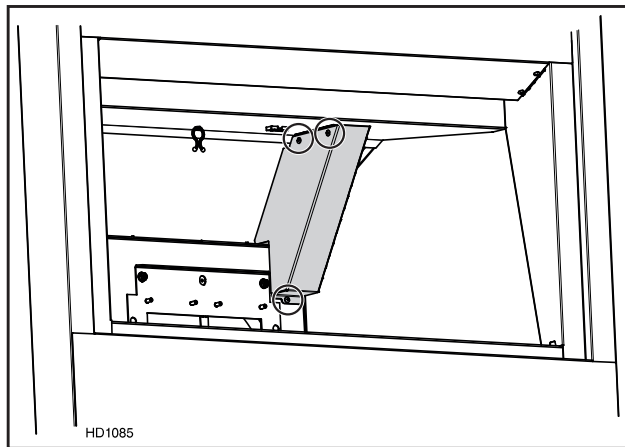
### 3. QUITE LOS FILTROS DE GRASA

Ponga la campana sobre una superficie protegida y retire la cinta de los filtros. Quite los filtros de la campana empujándolos hacia la parte delantera de la campana y girándolos hacia abajo. Saque la bolsa de piezas, el anillo adaptador y el soporte de montaje de la campana desde el interior de la campana y ponga a un lado estas piezas.

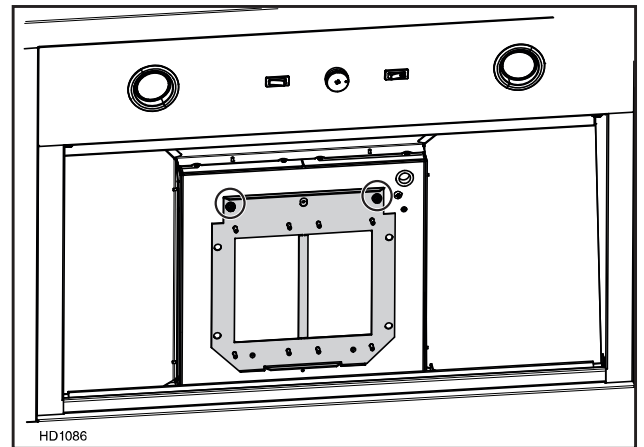


### 4. RETIRE LA TAPA DEL CABLEADO Y LA PLACA DEL VENTILADOR

Utilice un destornillador Phillips n.º para quitar los 3 tornillos de retención (rodeados con un círculo en la ilustración abajo) que sujetan la tapa del cableado dentro de la campana. Ponga a un lado la tapa y sus tornillos.



Utilice una llave para tuercas de 3/8" para retirar las 2 tuercas que sujetan la placa del ventilador al interior de la parte superior de la campana; ponga a un lado la placa y las tuercas.

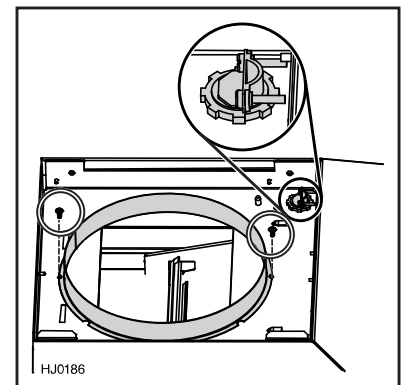


### 5. INSTALE EL ADAPTADOR Y LA ABRAZADERA DE HILOS

Instale el adaptador redondo de 10 pulgadas en la parte superior de la campana utilizando 2 tornillos Phillips n.º 8-18 x 3/8".

NOTA: Utilice las pequeñas muescas alrededor del adaptador.

Instale la abrazadera de hilos (como se muestra en el recuadro de la ilustración de la derecha).



## 6. INSTALE EL SOPORTE DE MONTAJE DE LA CAMPANA

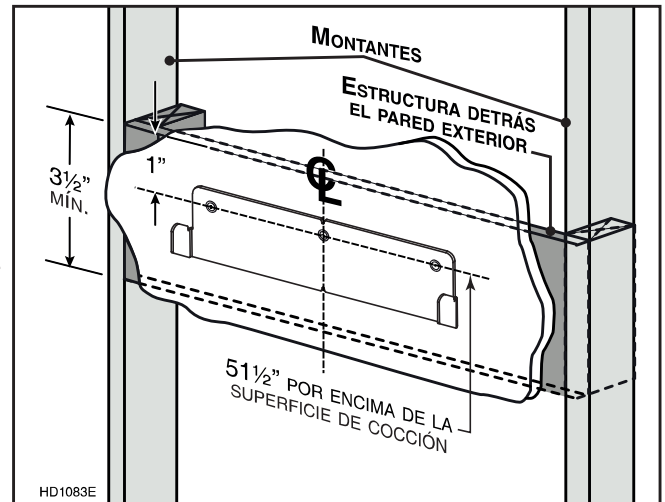
### ⚠ ADVERTENCIA

Al cortar o taladrar en la pared, procure no dañar el cableado eléctrico ni otras instalaciones ocultas. Asegúrese de que la pared es lo suficientemente sólida como para soportar el peso de la campana.

Si es necesario, construya una estructura mural con madera de 2" x 4" como mínimo. Se necesita un apoyo estructural adecuado para soportar el peso de la campana.

Una vez acabada la superficie mural, mida y marque el centro de la instalación; dibuje la línea vertical central hasta el techo.

Centre y ponga a nivel cuidadosamente el soporte de montaje de la campana en el lugar de la instalación. Sujete el soporte de montaje a la estructura mural con 3 tornillos n.º 10-12 x 2½".



## 7. INSTALE EL SOPORTE DE MONTAJE DE LA PARTE SUPERIOR DE LA CHIMENEA

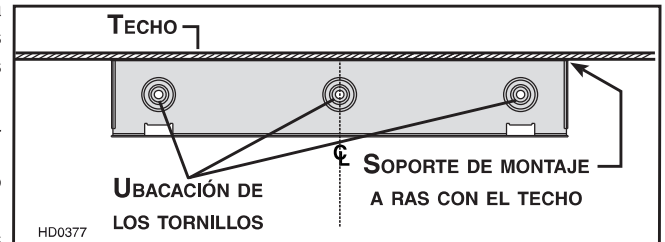
**NOTA:** El soporte de montaje de la parte superior de la chimenea viene empaquetado con la chimenea decorativa, pero los tornillos del soporte de montaje están en la bolsa de piezas de la campana.

Centre el soporte de montaje de la parte superior de la chimenea con la línea central trazada en la etapa anterior y colóquelo a ras con el techo.

Use el soporte de montaje de la parte superior de la chimenea como plantilla para marcar la posición de sus tornillos.

Sujete el soporte de la parte superior de la chimenea con 3 tornillos n.º 10-12 x 2½".

Asegúrese de que el soporte quede bien apretado contra la pared.



## 8. INSTALE LA CAMPANA

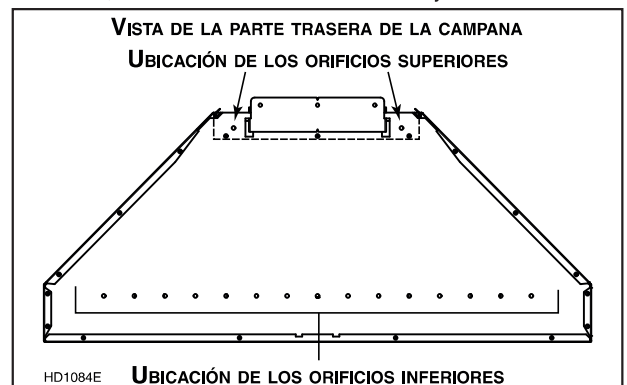
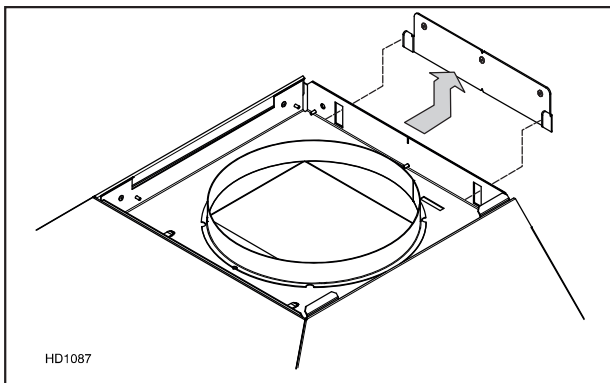
### ⚠ ADVERTENCIA

**TENGA CUIDADO** al instalar la chimenea decorativa y la campana, pueden tener bordes cortantes.

### PRECAUCIÓN

**NO RETIRE** aún la película protectora de plástico que cubre la chimenea decorativa (parte superior e inferior).

1. Alinee la campana y céntrela por encima del soporte de montaje de la campana. Baje suavemente la campana hasta que encaje firmemente en el soporte.
2. Ponga a nivel la campana.
3. Aunque la campana esté colgada, sujétela a la pared a través de ambos orificios situados en la parte superior trasera de la campana utilizando 2 tornillos n.º 10-12 x 2½" y arandelas. Si es necesario, taladre los orificios antes de fijar los tornillos.
4. Utilice al menos 1 orificio en cada lado de la parte inferior trasera de la campana para sujetar la campana a un material sólido (montantes) usando para ello 2 tornillos n.º 10-12 x 2½" y arandelas. Si es necesario, taladre los orificios antes de fijar los tornillos.



## 9. CONEXIÓN DEL CABLEADO

### ⚠ ADVERTENCIA

**Riesgo de choque eléctrico. La conexión eléctrica debe hacerla personal competente con arreglo a los códigos y normas en vigor. Antes de conectar los hilos, corte la alimentación en el tablero de servicio y bloquee los medios de desconexión para impedir que la corriente se conecte accidentalmente.**

Introduzca el cable de conexión doméstico a través de la abrazadera para hilos y apriete la abrazadera para sujetar el cable. Conecte el cable en la caja de conexiones con los conectores impermeables de hilos incluidos. Conecte el hilo NEGRO con el NEGRO, el BLANCO con el BLANCO y el VERDE o desnudo en el tornillo de tierra VERDE. **NO OLVIDE CONECTAR LA TIERRA.**

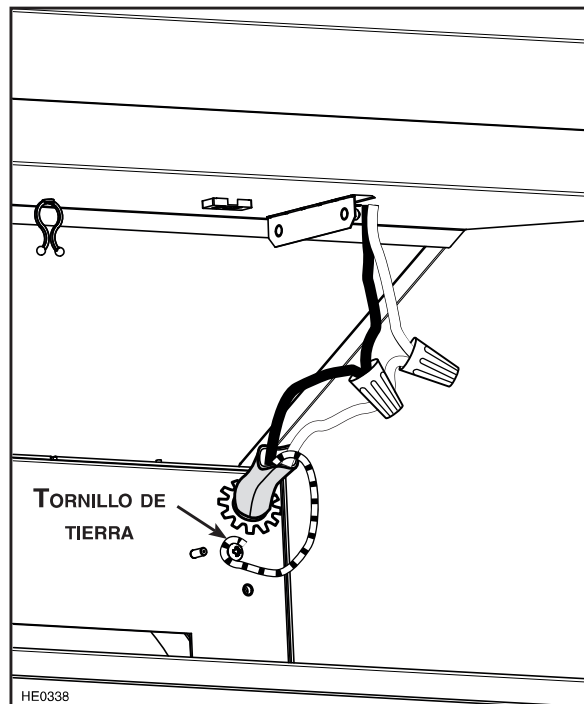
#### INSTRUCCIONES PARA LOS CONECTORES IMPERMEABLES DE HILOS:

1. Pele 3/8 de pulg. de los hilos.
2. Junte las puntas peladas o conductores.
3. No las retuerza. Coloque los hilos pelados juntos, con los extremos a la misma altura. Si la parte pelada de uno de los hilos es más corta que la del otro, ponga ese hilo más alto.
4. Gire el conector sobre los hilos empujando firmemente hasta que quede bien apretado. **NO** apriete demasiado.
5. Al introducir los hilos en los conectores, puede que salgan restos de un producto para la obturación. Limpie el sobrante de este producto alrededor de los conductores. **NO VUELVA A UTILIZAR LOS CONECTORES.**

### PRECAUCIÓN

**Al volver a instalar la tapa de la caja de cableados, introduzca con cuidado los tornillos con la mano y, a continuación, utilice un destornillador para evitar daños a la rosca de los tornillos.**

Vuelva a instalar la tapa de la caja de cableados asegurándose de no aplastar los cables.

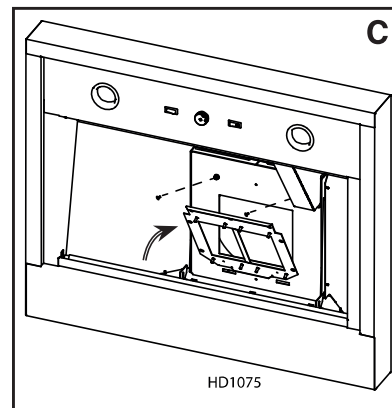
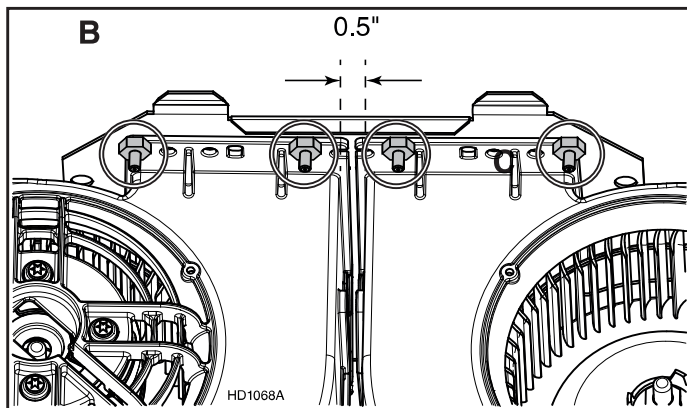
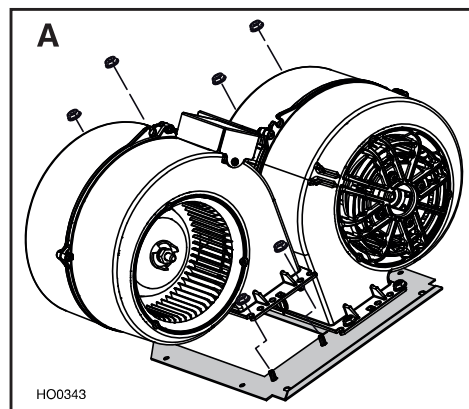


## 10. INSTALE EL VENTILADOR EN LA CAMPANA

Tome la placa del ventilador que retiró en la etapa 4 y colóquela sobre una superficie protegida.

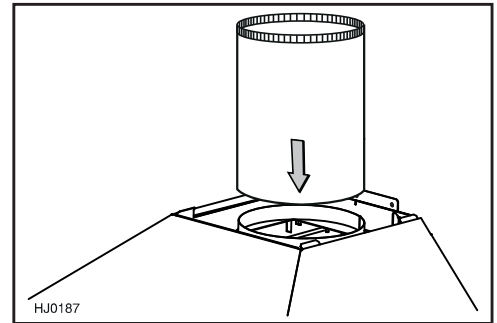
Monte ambos ventiladores en la placa del ventilador con 8 tuercas hexagonales que vienen con los ventiladores asegurándose de que los ventiladores cubran totalmente ambos agujeros en la placa del ventilador (véase la ilustración **A**). Entre los ventiladores debe haber una separación de 0,5 pulgadas (véase la ilustración **B**).

Vuelva a instalar la placa del ventilador con los ventiladores en la campana introduciendo las lengüetas de la placa en las ranuras y sujetándolas con las tuercas que retiró en la etapa 4 (véase la ilustración **C**; los ventiladores no aparecen para facilitar la comprensión). Conecte el cable de alimentación de los ventiladores a la campana y ate el cable de alimentación de los ventiladores con el alambre preinstalado.



## 11. CONEXIÓN DEL CONDUCTO

Ponga un conducto redondo de 10" sobre el adaptador en la campana. Utilice cinta adhesiva metálica para sellar la junta.



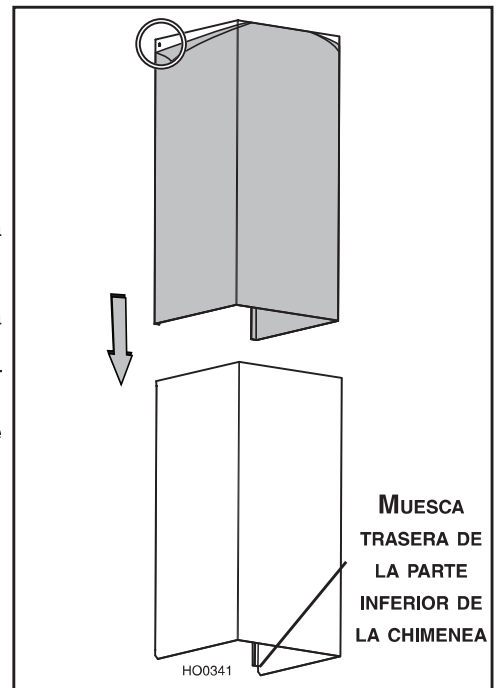
## 12. PREPARE E INSTALE LA CHIMENEA DECORATIVA

Retire la película protectora de plástico que cubre sólo la parte inferior de la chimenea decorativa.

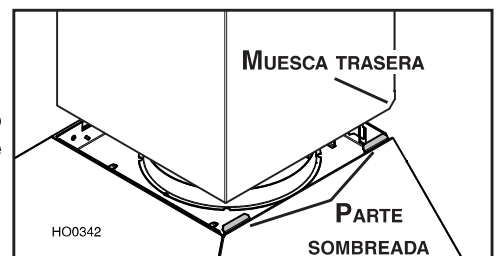
Pele las dos esquinas en la parte superior de la chimenea decorativa.

Coloque hacia abajo las muescas traseras de la parte inferior de la chimenea decorativa (que tienen un ángulo de 45°).

Deslice suavemente la parte superior de la chimenea decorativa dentro de la parte inferior de la chimenea decorativa, asegurándose de que los orificios estén en la parte superior, de modo que la parte superior de la chimenea decorativa pueda atornillarse al soporte de montaje.



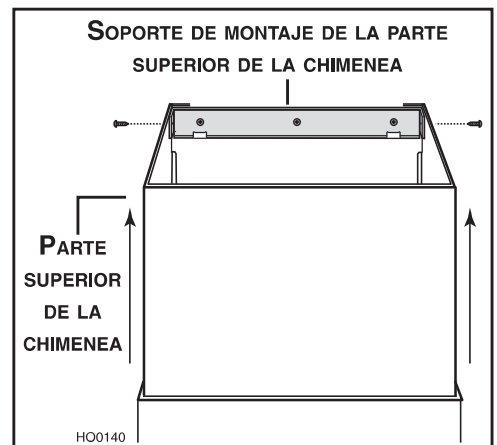
Coloque cuidadosamente en su lugar las dos partes de la chimenea decorativa (el extremo con las muescas en primer lugar) entre la parte sombreada y la pared exterior de la parte superior de la campana.



Deslice hacia arriba la parte superior de la chimenea hasta que quede alineada con el soporte de montaje. El soporte debe quedar dentro de la chimenea. Sujete la parte superior de la chimenea al soporte con 2 tornillos n.º 8 x 3/8" (incluidos en la bolsa de piezas de la campana).

NOTA: no se muestra el conducto en la ilustración para facilitar la comprensión.

Retire la película protectora de plástico que cubre la parte superior de la chimenea.



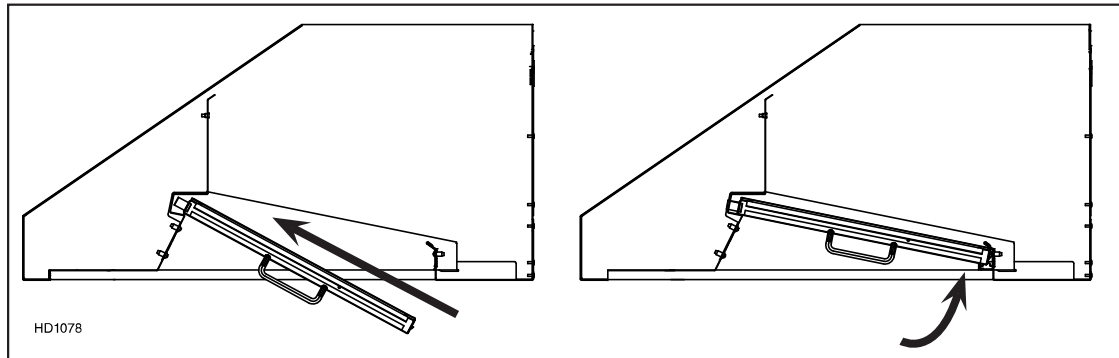
## 13. VUELVA A INSTALAR LOS FILTROS

### PRECAUCIÓN

Retire la película protectora de plástico que cubre los filtros antes de instalarlos.

Se aconseja instalar primero los filtros laterales y terminar por el o los centrales.

1. Introduzca el extremo del filtro con el muelle en el canal delantero de la campana.
2. Levante el otro extremo hacia el interior de la campana e introdúzcalo en el riel de vertido de la grasa.



## 14. FUNCIONAMIENTO

### PRECAUCIÓN

Antes de utilizar la campana, retire la película protectora de plástico restante que cubre la superficie de la campana.

#### VENTILADOR

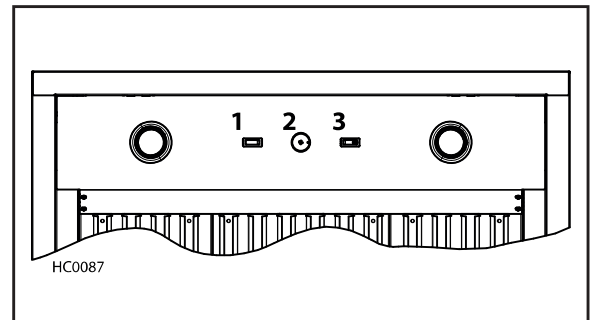
El ventilador se maneja con dos controles.

Utilice el interruptor oscilante (1) para poner en marcha y detener el ventilador. Al ponerlo en marcha, el interruptor se ilumina en rojo y el ventilador funciona a la velocidad que se haya elegido con el botón de control de velocidad (2).

Gire el botón de control de velocidad en el sentido contrario de las agujas del reloj para incrementar la velocidad del ventilador y en el sentido de las agujas del reloj para disminuirla.

#### LUCES (HALÓGENAS)

Utilice el interruptor oscilante (3) para encender y apagar las luces halógenas.



- 1) Interruptor ENCENDIDO/APAGA del ventilador
- 2) Botón de control de velocidad del ventilador
- 3) Interruptor de las luces halógenas

#### HEAT SENTRY™

Este campana viene equipado con un termostato Heat Sentry™. Este termostato pondrá en marcha el ventilador a alta velocidad si detecta un calor excesivo por encima de la superficie de cocción.

- 1) Si el ventilador está apagado, lo pondrá en marcha a alta velocidad.
- 2) Si el ventilador ya está encendido, lo pondrá a alta velocidad.

### ⚠ ADVERTENCIA

**Durante un calor excesivo, el Heat Sentry puede poner en marcha el ventilador, incluso si este está apagado. Si este es el caso, es imposible parar el ventilador con su interruptor. Si usted necesita detener el ventilador, desconecte de la campana el cordón de alimentación del ventilador**

Cuando la temperatura baje a un nivel normal, el ventilador volverá a su velocidad original.



## 15. USO Y CUIDADO

### Filtros deflectores

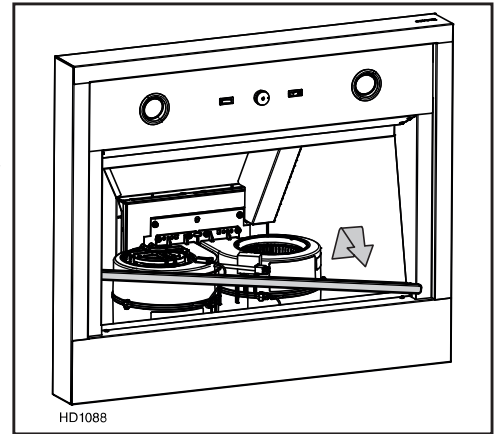
Los filtros deflectores deben limpiarse con frecuencia. Utilice una disolución de detergente con agua templada. Lávelos con mayor frecuencia si su tipo de cocina genera más grasa (alimentos fritos o cocina con wok).

Retire los filtros empujándolos hacia la parte delantera de la campana y girándolos hacia abajo. Las placas de los filtros pueden lavarse en el lavavajillas. Deje que los filtros sequen completamente antes de volver a instalarlos en la campana.

Limpie los filtros totalmente metálicos en el lavavajillas con un detergente sin fosfato. El filtro podría descolorarse si se utiliza un detergente con fosfato o debido al tipo de agua, pero esto no afecta su funcionamiento. Este descoloramiento no está cubierto por la garantía.

### Riel de vertido de la grasa

El riel de vertido de la grasa debe limpiarse con frecuencia. Para quitarlo, gire el riel para separarlo del tablero inferior y, a continuación, deslícelo hacia fuera en un movimiento en diagonal. Lávelo en una solución detergente con agua caliente. Igual que con los filtros, lávelo con más frecuencia si su tipo de cocina genera más grasa; por ejemplo, con las frituras o la cocina con wok. Deje que el riel de vertido de la grasa se seque completamente antes de volver a colocarlo en la campana.



### Limpieza de la campana

Limpieza del acero inoxidable:

#### Debe hacerse:

- Limpiar regularmente las superficies con un trapo limpio humedecido con una mezcla de agua templada y jabón suave o detergente para la vajilla.
- Limpiar siempre en la dirección de las líneas originales de pulido del acero.
- Enjuagar siempre con agua limpia (2 o 3 veces) después de limpiar. Seque completamente.
- También puede utilizar un limpiador doméstico especial para acero inoxidable.

#### No debe hacerse:

- Utilizar un estropajo de acero o acero inoxidable u otro tipo de rasquetas para quitar la suciedad resistente.
- Utilizar limpiadores fuertes o abrasivos.
- Dejar que la suciedad se acumule.
- Dejar que el polvo del yeso u otros residuos de la construcción manchen la campana. Si efectúa obras de construcción o renovación, cubra la campana para que no se manche la superficie de acero inoxidable.

#### Al escoger un detergente, evite:

- Los limpiadores que contienen **blanqueador** (lejía), ya que dañarán el acero inoxidable.
- Los productos que contengan **cloruro, fluoruro, yoduro y bromuro**, ya que deterioran las superficies rápidamente.
- Los productos combustibles que se emplean para la limpieza, como **acetona, alcohol, éter, benzol**, etc., ya que son altamente explosivos y nunca deberían estar cerca de una cocina.

## 16. SUSTITUCIÓN DE LAS BOMBILLAS

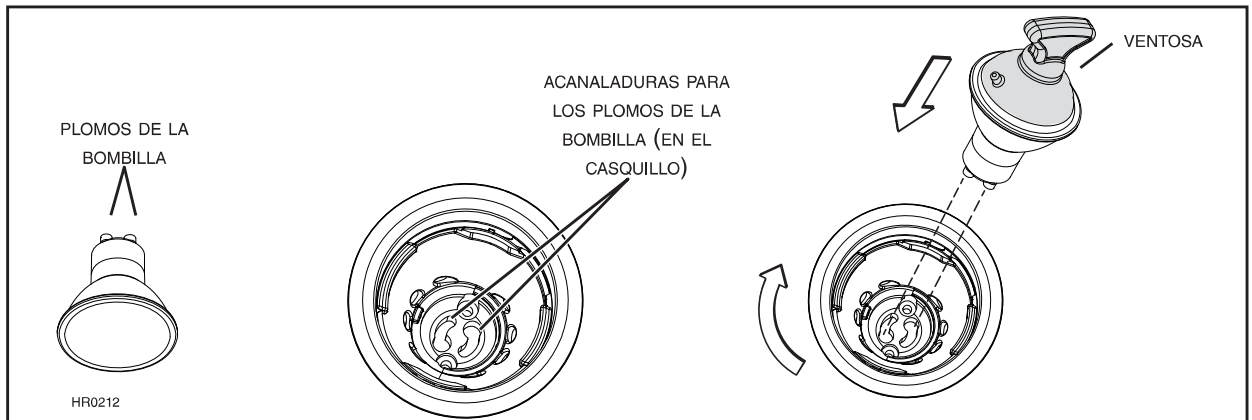
Este campana debe utilizar bombillas halógenas protegidas de tipo MR16, de 120 V y 50 W con base GU10 o PAR16 con base GU10.

### ⚠ ADVERTENCIA

**No tocar las bombillas durante o justo después de la utilización. Pueden causar quemaduras. Para prevenir el riesgo de lesiones corporales, instale solamente bombillas halógenas protegidas. Nunca instalar una bombilla dicroica o no concebida para luminarias empotradas o bombillas identificadas sólo para uso en dispositivos encerrados.**

Para retirar una bombilla, presione la ventosa (incluida en la bolsa de piezas) contra la bombilla y gire en sentido contrario a las agujas de un reloj para retirar los plomos de la bombilla de las acanaladuras en el casquillo.

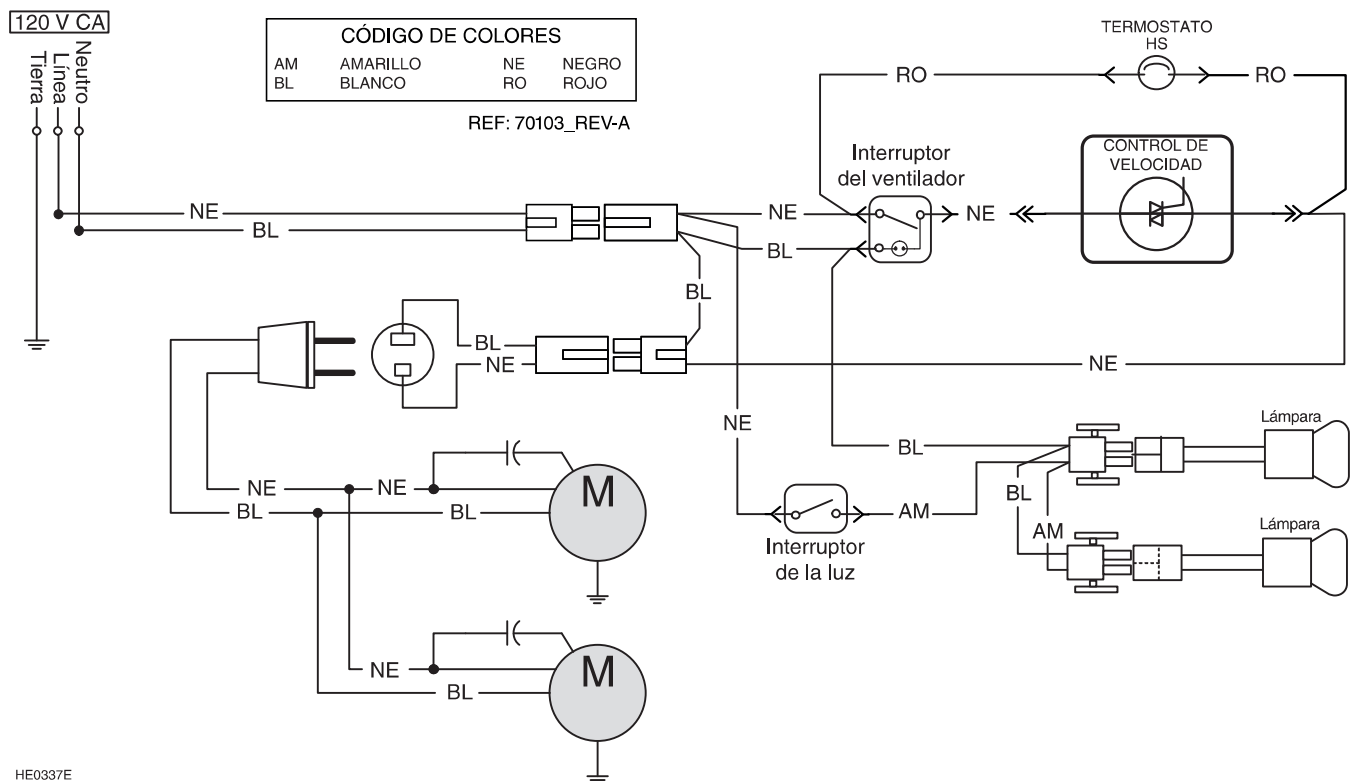
Instale la bombilla colocando los plomos en sus acanaladuras en el casquillo. Empuje suavemente hacia arriba y gire en el sentido de las agujas de un reloj hasta fijar la bombilla.



## 17. DIAGRAMA ELÉCTRICO

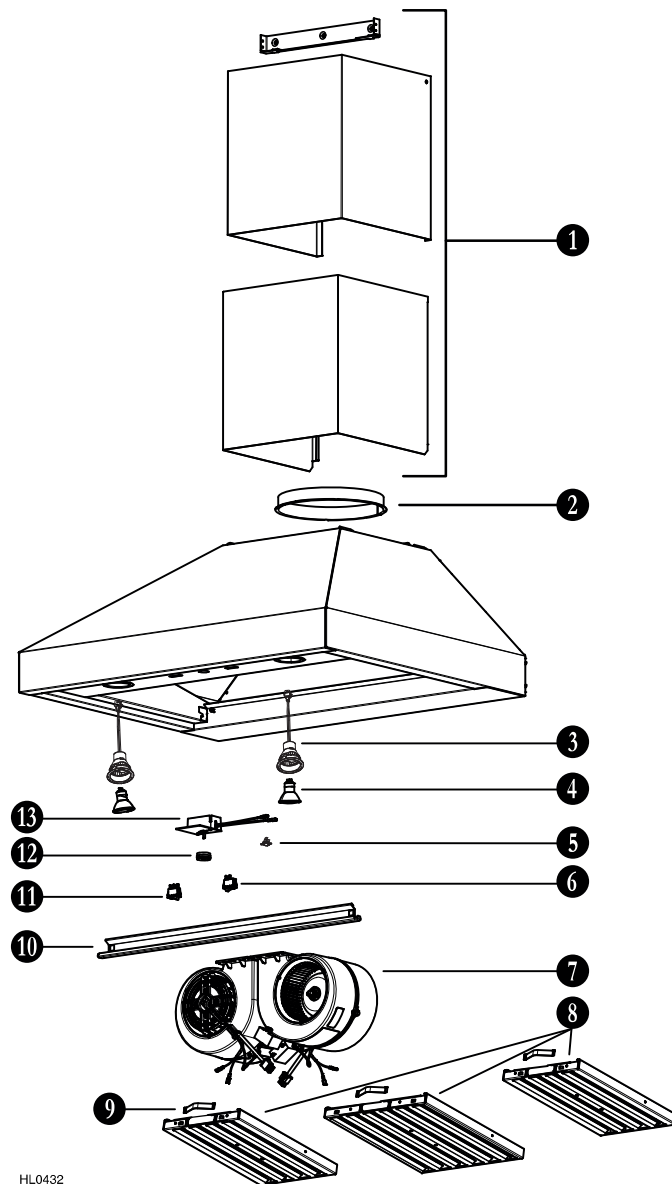
### ⚠ ADVERTENCIA

**Riesgo de choque eléctrico. La conexión eléctrica debe hacerla personal competente con arreglo a los códigos y normas en vigor. Antes de conectar los hilos, corte la alimentación en el tablero de servicio y bloquee los medios de desconexión para impedir que la corriente se conecte accidentalmente.**



HE0337E

## 18. PIEZAS DE REPUESTO



HL0432

### SUSTITUCIÓN DE PIEZAS Y REPARACIÓN

Para que la unidad se conserve en buen estado, debe usar repuestos genuinos de Coyote Outdoor Living Inc. únicamente. Estas piezas se han diseñado especialmente para cada unidad y se han fabricado conforme a las normas de certificación aplicables y un elevado nivel de seguridad. El uso de repuestos de otros fabricantes podría causar daños graves y reducir radicalmente el desempeño de la unidad, causando así fallas prematuras. Coyote Outdoor Living Inc. también aconseja ponerse en contacto con nuestro Servicio al cliente al número de teléfono 855-520-1559 para todas las cuestiones relacionadas al los repuestos y reparaciones.

N.º	N.º DE PIEZA	DESCRIPCIÓN	CANTIDAD		
			36"	42"	48"
1	C1FLUE8*	KIT DE LA CHIMENEA DECORATIVA - TECHOS DE 8 A 8,5 PIES DE ALTURA	1	1	1
1	C1FLUE10*	KIT DE LA CHIMENEA DECORATIVA - TECHOS DE 8,5 A 9,5 PIES DE ALTURA	1	1	1
1	C1FLUE12*	KIT DE LA CHIMENEA DECORATIVA - TECHOS DE 9,5 A 12 PIES DE ALTURA	1	1	1
2	SV08541	ADAPTADOR REDONDO DE 10"	1	1	1
3	SV16569	CONJUNTO DEL CASQUILLO Y DEL PORTALÁMPARAS	2	2	2
4	SV05921	BOMBILLA HALÓGENA GU10	2	2	2
5	SV03435	TERMOSTATO HEAT SENTRY™	1	1	1
6	SV02563	INTERRUPTOR OSCILANTE DE LA LUZ	1	1	1
7	C1BLOW1200**	CONJUNTO DEL VENTILADOR	1	1	1
8	SV60675	FILTRO CON MUELLE DE FILTRO DE 11,84" x 15,125"	1	3	2
	SV60716	FILTRO CON MUELLE DE FILTRO DE 8,84" x 15,125"	2	0	2
9	SV08337	MUELLES PARA FILTROS (JUEGO DE 6)	1	1	1
10	SV65734	RIEL DE VERTIDO DE LA GRASA PARA CAMPANA DE 36" DE ANCHO	1	0	0
	SV65735	RIEL DE VERTIDO DE LA GRASA PARA CAMPANA DE 42" DE ANCHO	0	1	0
	SV65736	RIEL DE VERTIDO DE LA GRASA PARA CAMPANA DE 48" DE ANCHO	0	0	1
11	SV03503	INTERRUPTOR OSCILANTE DEL VENTILADOR	1	1	1
12	SV08549	BOTÓN DE CONTROL DE LA VELOCIDAD DEL VENTILADOR	1	1	1
13	SV03501	CONTROL DE LA VELOCIDAD DEL VENTILADOR	1	1	1
***	SV23320	BOLSA DE PIEZAS: 1 ABRAZADERA DE HILOS, 3 CONECTORES DE HILOS IMPERMEABLES, 14 TORNILLOS N.º 10-12 x 2½", 4 TORNILLOS N.º 8-18 x 3/8", 10 ARANDELAS, 1 VENTOSA	1	1	1

\* PIEZA OPCIONAL, SE VENDE POR SEPARADO

\*\* SE VENDE POR SEPARADO

\*\*\* NO SE MUESTRA

## 19. GARANTÍA

---

EN LA MEDIDA MÁXIMA EN QUE LO PERMITA LA LEY, ESTA GARANTÍA LIMITADA Y LOS RECURSOS ENUNCIADOS A CONTINUACIÓN SON EXCLUSIVOS Y SE ANTEPONEN A TODAS LAS OTRAS GARANTÍAS, RECURSOS O CONDICIONES, YA SEAN VERBALES O ESCRITOS, EXPRESOS O IMPLÍCITOS. EN LA MEDIDA MÁXIMA EN QUE LO PERMITA LA LEY, COYOTE OUTDOOR LIVING, INC. TAMBIÉN RENUNCIA EXPRESAMENTE A TODAS LAS GARANTÍAS IMPLÍCITAS, INCLUYENDO, ENTRE OTRAS, LAS GARANTÍAS DE COMERCIALIZACIÓN Y LAS DE IDONEIDAD PARA UN PROPÓSITO PARTICULAR.

Con esta garantía limitada, Coyote Outdoor Living, Inc. garantiza expresamente al comprador original, en el sitio original de entrega, que la campana o el forro de ventilación exterior, bajo un uso residencial normal, será libre de defectos de fabricación y de materiales por una duración de un año a partir de la fecha de compra. La garantía limitada no es transferible y excluye expresamente cualquier producto de ventilación usado en un entorno comercial donde el producto sería usado y mantenido por una persona que no sea el comprador original (el dueño de casa). La garantía limitada excluye expresamente cualquier problema que podría resultar de la corrosión, los rasguños o las decoloraciones en la superficie bajo un uso normal. También excluye los arrancadores y tubos de lámparas fluorescentes, las bombillas incandescentes y halógenas, los fusibles, los filtros, los conductos, las tapas para techo, las tapas para pared y los otros accesorios para conductos. Esta garantía limitada NO CUBRE LOS COSTOS DIRECTOS O INDIRECTOS DE MANO DE OBRA, y el envío y la manipulación de las piezas requeridas será al cargo del comprador.

La responsabilidad de Coyote Outdoor Living, Inc. bajo esta garantía limitada se restringe a la reparación o reemplazo, según su criterio, de la pieza defectuosa durante el periodo de garantía. Esta garantía limitada no cubre el uso y desgaste normales ni los daños causados por: el uso negligente o indebido del producto, la reparación o el mantenimiento inadecuados, una instalación incorrecta, el uso contrario a las instrucciones o una modificación efectuada por una persona que no esté autorizada para hacerlo por el centro de servicio de la fábrica. Las reparaciones y reemplazos efectuados no prolongarán el periodo de garantía.

**PROCEDIMIENTO DE RECLAMACIÓN:** Si necesita servicio o piezas para su parrilla Coyote, por favor contacte con nuestro centro de servicio de garantía para obtener una asistencia directa de la fábrica, de 8 a.m. a 4:30 p.m. (hora del centro), llamando al 855 520 1559 o escribiendo a [support@coyoteoutdoor.com](mailto:support@coyoteoutdoor.com). También puede utilizar el formulario de reclamación en línea en [www.coyoteoutdoor.com](http://www.coyoteoutdoor.com). Necesitará el número de modelo, el número de serie y la prueba de compra.

Coyote Outdoor Living, Inc. puede exigir la devolución de las piezas defectuosas para examinarlas antes de enviar piezas de repuesto. En este caso, usted tendrá que prepagar los gastos de envío. Si Coyote Outdoor Living, Inc. determina que la pieza original es defectuosa después de haberla examinado, podrá aceptar su reclamación y, según su criterio, reemplazar la pieza defectuosa sin cargo alguno. En todos los casos, el cliente tiene que pagar los gastos de envío y manipulación de las piezas de repuesto. La reparación o el reemplazo de piezas constituyen su único recurso bajo esta garantía limitada, y Coyote Outdoor Living, Inc. no se hace responsable de cualquier daño fortuito o consecuente.

Esta garantía limitada no cubre los mal funcionamientos o las dificultades de uso causados por cualquier accidente, maltrato, uso indebido, modificación, aplicación indebida o acto de vandalismo ni por la instalación, mantenimiento o servicio incorrecto del producto o por daños causados por un retroceso de llama o un fuego de grasa. La garantía limitada tampoco cubre las ralladuras, las abolladuras, la corrosión o la decoloración causadas por el mal tiempo, el calor, productos de limpieza abrasivos o químicos, productos químicos para piscina o spa, ni las herramientas utilizadas en el montaje y la instalación del producto. Tampoco están cubiertos por esta garantía limitada el desconchado de la pintura, la herrumbre en la superficie, la corrosión o la decoloración del acero inoxidable, que son considerados como efectos del uso y desgaste normales. La garantía limitada no cubre las molestias, lesiones corporales o daños a la propiedad causados por el uso incorrecto o el mal funcionamiento del producto. Finalmente, la garantía limitada no cubre la deterioración o los daños causados por condiciones meteorológicas extremas como granizo, huracanes, terremotos, tsunamis, tornados u otros desastres naturales, o por terrorismo, y excluye la decoloración causada por la exposición a productos químicos, ya sea por contacto directo o por transmisión aérea.