



Features:

- Two high performance Coyote Infinity Burners™
- 640 sq. in. cooking area
- Up to 40,000 BTU
- Complete 304 stainless steel construction
- Interior grill lighting
- Integrated wind guard

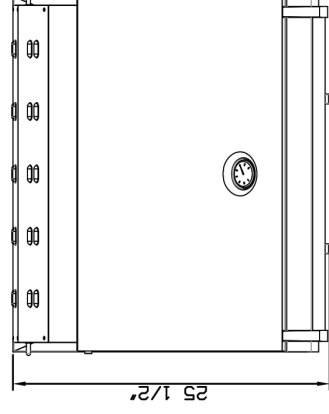
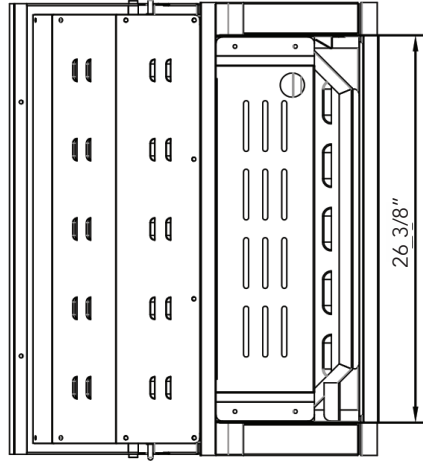
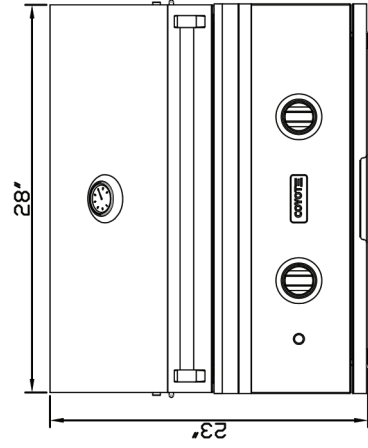
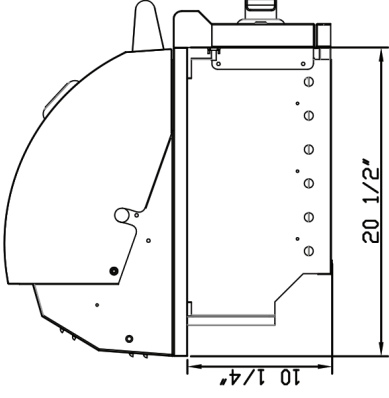
Dimensions:

- Cutout: (H) 10 1/4" X (W) 26 3/8" X (D) 20 1/2"
- Overall: (H) 23" X (W) 28" X (D) 25 1/2"

Accessories:

- Laser-Cut Signature Grates (CSIGRATE15)
- Charcoal trays (CCHTRAY15)
- 14" stainless steel griddle (C1GRDL)
- Custom fit, weather resistant cover
- Insulated jacket
- Gas conversion kit
- Free-Standing Model No: C1C28-FS LP/NG

C1C28 SPECS



COYOTE
Outdoor Living
www.coyoteoutdoor.com