



CCX2

28" C-SERIES GRILL

Model: CCX2 LP/NG

DESIGNED TO ENDURE.
Efficient Size. Expert Performance.

FEATURES

Also Available As Preassembled Grill
In A Box (CCX2-FS)

Premium Stainless Steel Frame,
Firebox, Hood And Burners.

Two High Performance Coyote
iBurners™

Interior Hood Lights

640 Sq. In. Cooking Area

Double Walled Stainless Steel Hood

Includes Premium Stainless Steel
Grates, Warming Rack And
Performance Enhancing
Heat Control Grids™

Continuous Weld On Grill Box With
Seamless, Polished Edging

Integrated Wind Guard

Up To 40,000 BTU



OPTIONS

- Rotisserie Kit Available
- Grill conversion kit available
- Custom, weather resistant cover available
- Insulated grill jacket available
- Available in LP or NG
- Smoker box available
- 14" Drop in griddle (CGRDL) available



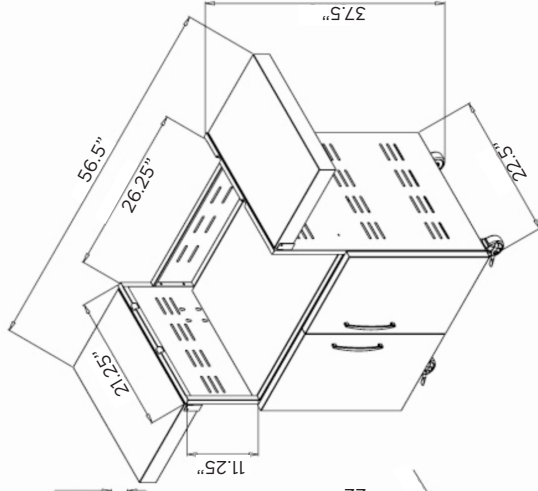
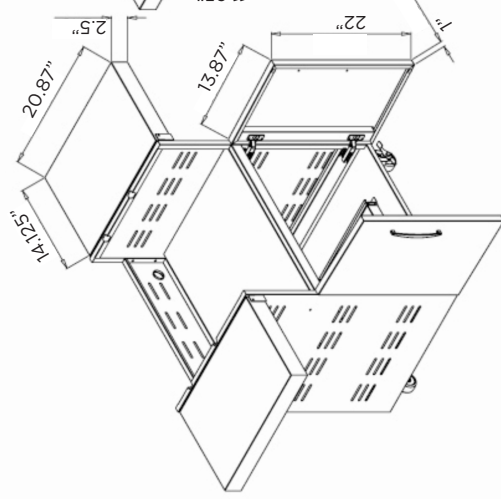
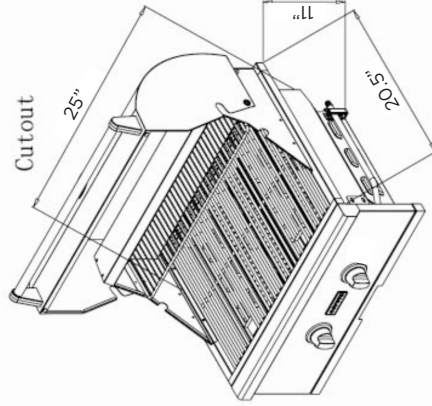
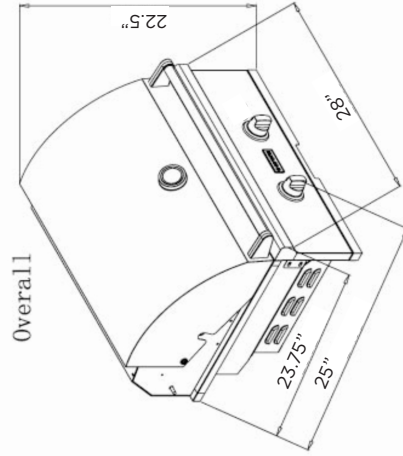
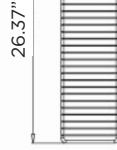
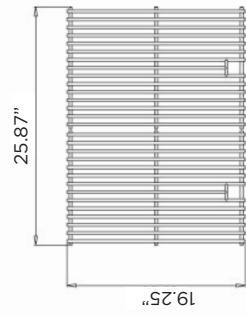
COYOTE

Outdoor Living

CCX2

Overall Dimensions:
22.5"(H) X 28"(W) X 23.75"(D)

Cutout Dimensions:
11"(H) X 25"(W) X 20.5"(D)



www.coyoteoutdoor.com

