

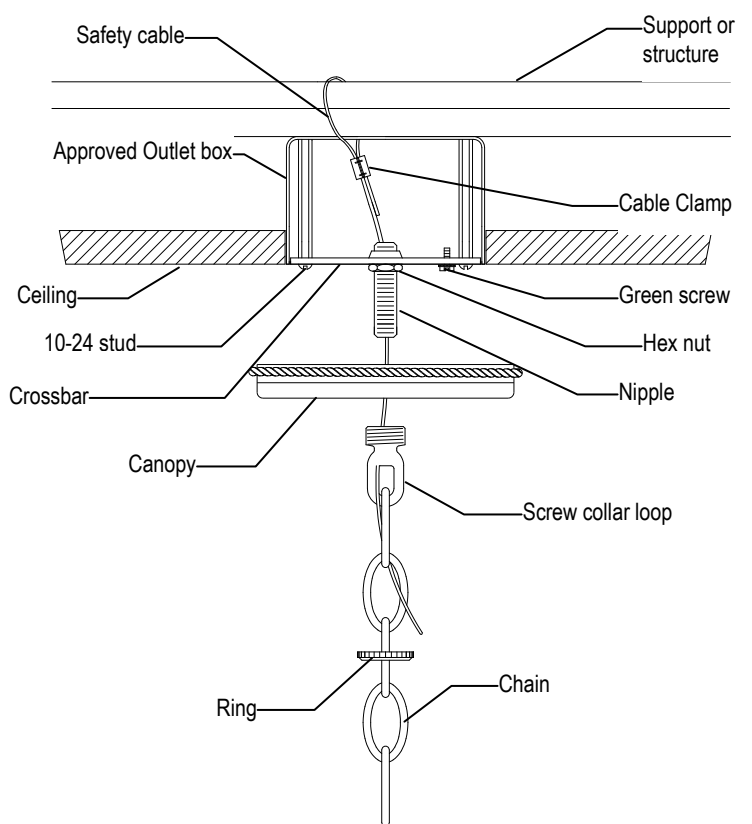
⚠ WARNING
DISCONNECT POWER BEFORE RELAMPING OR WIRING THE FIXTURE.
READ ALL INSTRUCTIONS COMPLETELY BEFORE STARTING INSTALLATION.

⚠ CAUTION

- TO AVOID THE RISK OF FIRE OR SHOCK, FIXTURE MUST BE INSTALLED IN COMPLIANCE WITH ALL APPLICABLE NATIONAL AND LOCAL ELECTRICAL/BUILDING CODES.
- INSTALLATION AND MAINTENANCE OF THIS UNIT REQUIRES AN ELECTRICIAN OR CERTIFIED FACTORY TRAINED TECHNICIAN.
- If an existing fixture is being replaced, remove it and note to which of the wires in the outlet box the fixture was attached. **DO NOT SEPARATE ANY OTHER WIRES THAT MAY BE IN THE BOX. DO NOT DAMAGE THE INSULATION OF OLDER WIRING.** In regular circumstances the **BLACK** wire will be the “Hot” lead and the **WHITE** wire will be the “Neutral” or “Common” lead. The **GREEN** or **BARE COPPER** wire is the “Ground”. In older buildings, it is always good practice to reconfirm the polarity of the wiring.

NOTICE

- The important safeguards and instructions outlined on this sheet cannot cover all possible conditions and situations that may occur. It must be understood that common sense, caution and care are factors that cannot be built into any product. Caution and care must be supplied by the person(s) installing, operating and caring for this lighting fixture.
- This fixture is designed to be mounted on a correctly installed standard round or octagon box or a through wiring box with a plaster frame. The box must be securely mounted to the structure of the building. The crossbar and hardware supplied should be used. Directly mounting the fixture to the outlet box may make it impossible to correctly align the fixture.



INSTALLATION PREPARATION

1. Remove the fixture, glass and parts bag(s) from the carton.

NOTICE:
 Before discarding the carton, double check the contents to make certain that all parts are found.

FIXTURE INSTALLATION

New construction: Double check that **APPROVED BOX** and **SUPPORT** were correctly installed following the manufacturer’s instructions.

Remodeling (with enclosed ceiling) Install **APPROVED BOX** and **SUPPORT** following manufacturer’s instructions.

1. Slide the crimp-on cable clamps onto the **SAFETY CABLE**. **The outlet box may have to be removed for this step.** Loop the **SAFETY CABLE** over the structure or brace. Thread the long end of the **SAFETY CABLE** back through the crimp-on cable clamps. Adjust the cable and tightly set the clamps. Thread the **SAFETY CABLE** into the outlet box (from the top). Reinstall the box if necessary.
2. Thread the **SAFETY CABLE** through the crossbar. Attach the crossbar to the **10-24 STUDS** in the outlet box. (The green screw should face the floor). **DO NOT USE THE BOX “EARS”.**

SEE PAGE 3 FOR SUGGESTED FIELD CONSTRUCTED SUPPORT

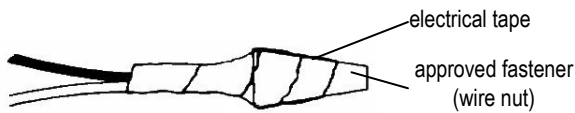
3. Remove the threaded ring from the screw collar loop. Fully thread the screw collar loop onto the nipple. Start the hex nut onto the nipple. Push the **SAFETY CABLE** through the nipple and the screw collar loop. Start the nipple into the crossbar. Place the canopy against the ceiling. Adjust the nipple so that 1/4" of thread is exposed beyond the canopy. Tighten the hex nut against the crossbar. Using the ring, install the canopy.
4. Open the end links of the chain and attach the chain to the screw collar loop. Hang the fixture on the chain at the desired height. Remove excess chain and close all links. Unscrew the threaded ring from the screw collar loop. Allow the ring and canopy to slide down the chain to the junction body.
5. Thread the lead wires and ground wire (first) through the threaded ring, then the canopy and up through alternating links of the chain until the ceiling is reached.
6. Measure 6" of lead wire beyond the top of the chain. Cut off the excess wire. Strip the insulation off the ends of the leads exposing approx. 1/2 " of wire. Twist the strands of wire together. Push the leads and ground wire up through the screw collar loop and nipple and into the outlet box.
7. Fasten the ground wire to the green or bare copper wire in the outlet box (if outlet box is plastic) or to the green screw on crossbar.



WARNING

**Never fasten the ground wire to the black or "hot" wire!
Failure to follow this instruction could result in serious injury or death!**

8. Fasten the fixture lead with the ridge(s) to the white wire in the outlet box. Fasten the wires together with an approved fastener (wire nut). Starting about 1" below the fastener, tightly wrap the connection with electrical tape so that the tape seals the end of the fastener.



WARNING

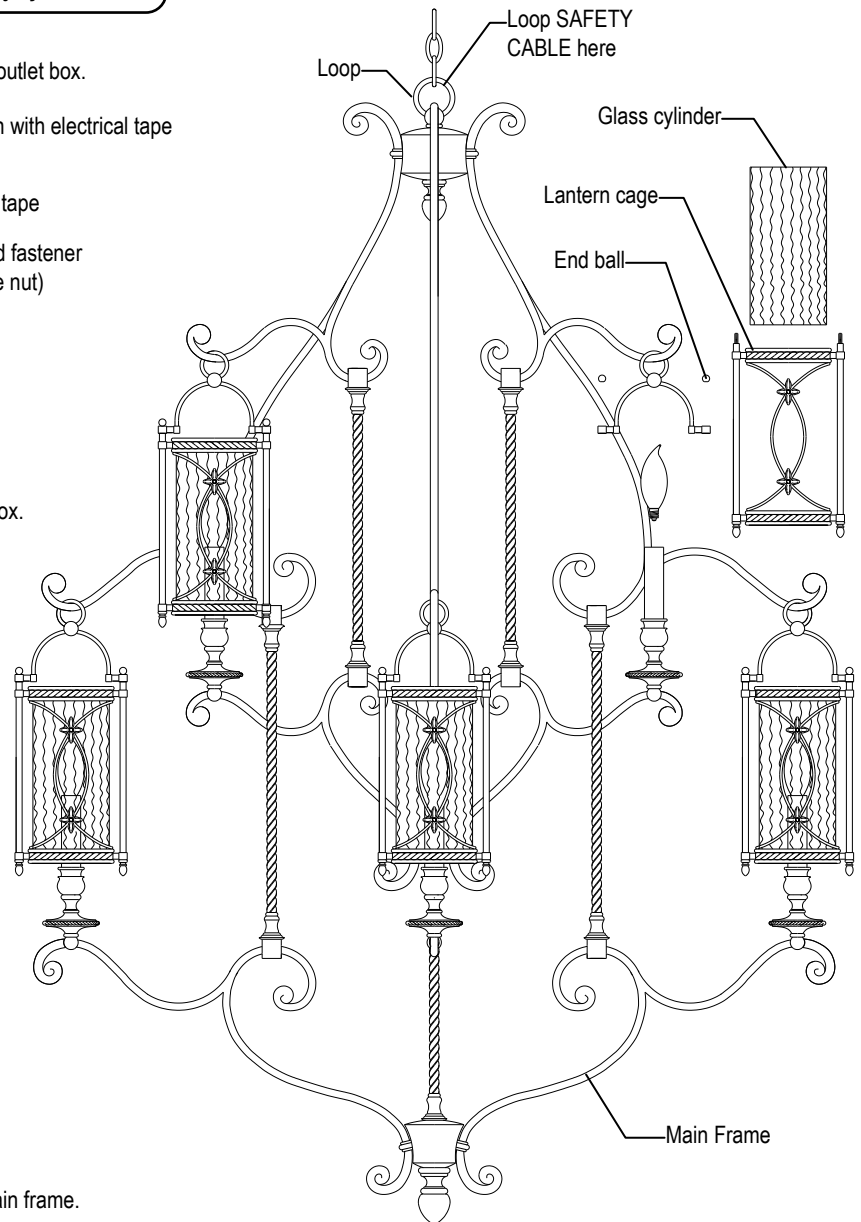
Make sure that there is no exposed wire or strands that could cause a dangerous short circuit!

9. Connect the smooth fixture lead to the black wire in the outlet box. Fasten the joined wires as in step 8.
10. Slide the canopy and screw collar ring up the chain and secure the canopy to the ceiling.
11. Thread the **SAFETY CABLE** down the chain through alternating links.
12. Thread a crimp-on cable clamp onto the **SAFETY CABLE**. Loop the **SAFETY CABLE** through the loop of the fixture. Thread the **SAFETY CABLE** back through the crimp-on cable clamp. Pull cable snug and tightly crimp cable clamp in place.



WARNING
DO NOT OVER TIGHTEN THE CABLE AND CAUSE THE FIXTURE CHAIN TO SAG!

13. Remove the end balls on top of each lantern cages.
14. Place the glass cylinders into the lantern cages.
15. Using the end balls removed, install the lantern cages to the main frame.



16. Install the lamp (light bulb).
NOTE: This fixture is rated for a 60 watt type B, BA, C or CA lamps.

 **WARNING**
DO NOT EXCEED RECOMMENDED WATTAGE!

17. Restore power to circuit at breaker or fuse box.

