



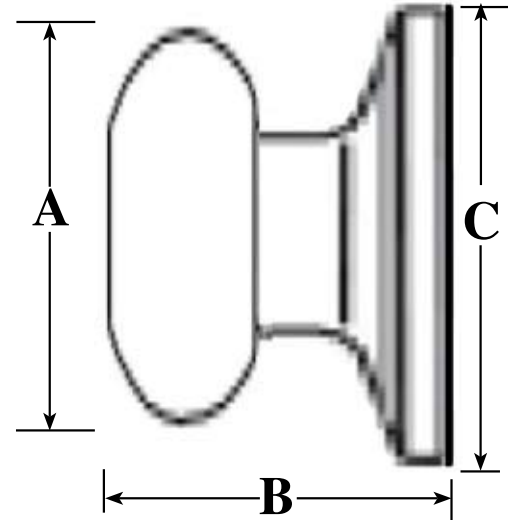
# Copper Creek Hardware P-Series Heavy Duty Residential Knob Specifications



HK 4000 Series  
*Heritage Style*



Available  
UL LISTED



A	B	C
2-1/4"	2-5/16"	2-3/4"

Knob Specifications & Options	
ANSI / BHMA	Exceeds ANSI Grade-2 - 400,000 cycles.
Rose Diameter	2-3/4".
Cylinder	5 pin "KW1" std. 5 Pin "C" optional .
Keying	As specified: Available Master keyed, Builder keyed, KD, KA.
Latch	Adjustable backset, 1" round corner narrow faceplate std. Square corner or drive-in adjustable latch optional.
Strike	PT-LS06: 2-3/4" full lip round corner strike std.
Door Prep	1" edge bore, 1"x 2-1/4" latch mortise, 2-1/8" cross bore, 2-3/8" backset standard, 2-3/4" optional.
Door Thickness	Min 1-3/8", Max 1-3/4".
Handing	All Heritage knobs are non-handed.
U.L. Labeled	Available 90-minute U.L. Labeled.
Warranty	Lifetime mechanical, 10 year finish

In Stock Finish									Case Qty
STYLE	SS	TB	AB	AN	BC	PB	PS	PW	Units
<b>HK</b>	x	x		x		x	x	x	24

Function	Operation
4020 Passage	Both knobs always free turning. No locking operation.
4030 Privacy	Inside turn-button locks and unlocks both knobs. Knob can be unlocked by rotating the outside privacy mechanism.
4040 Entry	Outside key or inside turn-button locks both knobs.
4090 Dummy	1/2 Dummy - Used as pull or decorative trim only.