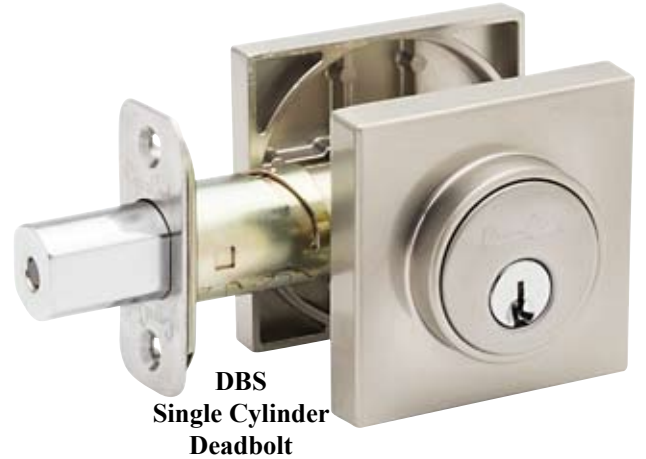
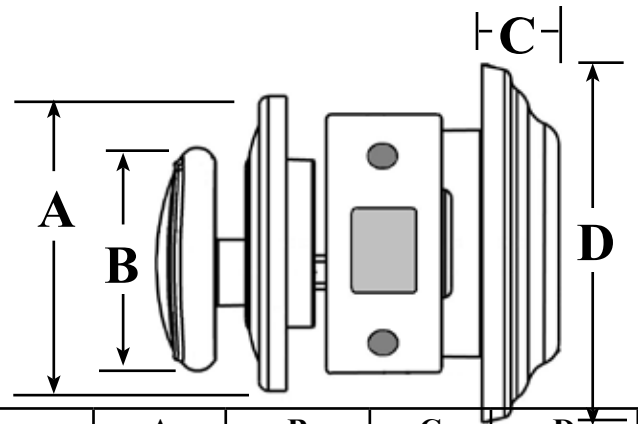




# Copper Creek Hardware DB(R/S) 2400 Series ANSI Grade-3 Contemporary Deadbolt Specifications



- Architecturally Correct Interior Turn Piece.
- Solid Cast Interior Rosette.
- Solid Brass Cylinder & Plug.
- Steel Latch and Latch Face.
- Nickel Plated Bolt.
- Low Profile Construction.



	A	B	C	D
<b>DBR</b>	2-1/2"	1-5/8"	1.0"	2-1/2"
<b>DBS</b>	2-9/16"	1-5/8"	1.0"	2-1/2"

Deadbolt Specifications & Options	
ANSI / BHMA	Exceeds ANSI Grade-3 200,000 cycles
Guard Diameter	2-1/2"
Cylinder	KW1 5-pin std., "C" optional.
Keying	As specified: Available Master keyed, Builder keyed, KD, KA.
Latch	Adjustable backset, 1" round corner narrow faceplate std. Square corner or drive-in adjustable optional.
Strike	PT-DS16 and PT-DS26: Round corner strikes std. Others available.
Door Prep	Edge bore 1", latch mortise 1"x 2-1/4", cross bore 2-1/8", backset standard 2-3/8", optional 2-3/4".
Door Thickness	Min 1-3/4", Max 1-3/4".
Handing	Non-handed.
UL Labeled	Available 20-minute UL Labeled.
Warranty	Lifetime mechanical, 5 year finish.

	In Stock Finishes							Case Qty
	SS	TB	PS	AB	AN	BC	PB	Units
<b>DBR</b>	x	x	x					12
<b>DBS</b>	x	x	x					12

Function	Operation
2410 Single Cylinder Deadbolt	Inside turn-piece and exterior key throws or retracts the 1" deadbolt latch.
2420 Double Cylinder Deadbolt	Outside and inside keyed cylinders throw or retract 1" deadbolt latch.