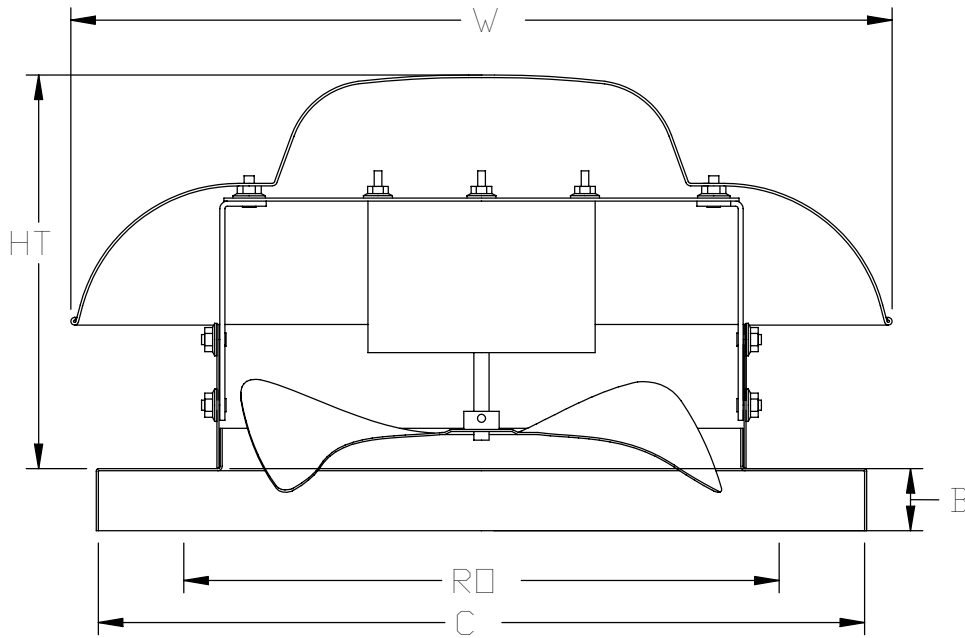


RMD SERIES AXIAL EXHAUST FANS

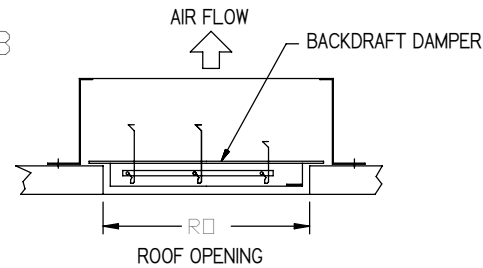
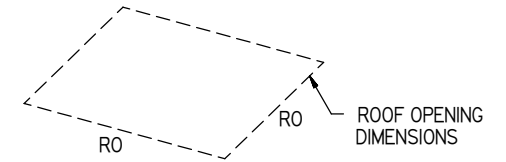
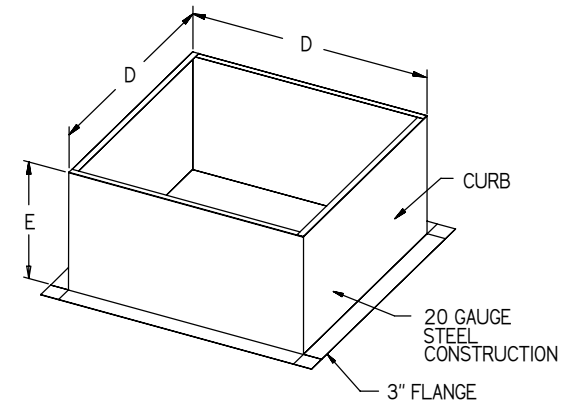


FEATURES:

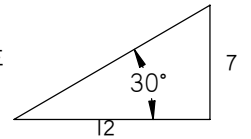
- ROOF MOUNTED FANS
- UL705
- AMCA AIR CERTIFIED
- THERMAL OVERLOAD PROTECTION
- STANDARD BIRD SCREEN
- SAFETY DISCONNECT

OPTIONS:

- HINGED FAN
- PITCHED CURB
- INSULATED CURB
- BACKDRAFT DAMPER



PITCHED CURBS ARE AVAILABLE FOR PITCHED ROOFS.



SPECIFY PITCH:

EXAMPLE FORMAT: 7 / 12 PITCH = 30' SLOPE

BACKDRAFT DAMPER INSTALLATION

RMD DIRECT DRIVE
AXIAL AXIAL EXHAUST FANS DIMENSIONAL DATA

FAN MODEL	HT	W	B	C	RO	WEIGHT LB
RMD-10	9 3/4	18 5/16	2	19	13	24
RMD-12	10 1/4	20 5/16	2	19	13	32
RMD-14	12 5/8	27 5/16	2	21	16	45
RMD-18	14 3/8	33 9/16	2	26	20	67

CURB DIMENSIONAL DATA

FAN MODEL	D	E
RMD-10	17 1/2	12
RMD-12	17 1/2	12
RMD-14	19 1/2	12
RMD-18	24 1/2	12

DIMENSIONS SUBJECT TO CHANGE WITHOUT NOTICE.
DRAWING NOT TO BE USED FOR CONSTRUCTION.

			
			AXIAL ROOF EXHAUST FAN
01	02 FEB. 2012	JEE	RMD SERIES DIRECT DRIVE SUBMITTAL
REV	DATE	BY	J. E. EVANS 13 MAR. 2008 RMD GENERAL SUBMITTAL.dft