



WALL FANS

*better AIRFLOW
by DESIGN™*



**SEF, PEF & GEF
DIRECT DRIVE
WALL FANS**

- Suitable for through the wall installation
- 2 or 3 speed operation, pull chain switch
- 120 VAC single phase 60 Hz operation
- Totally enclosed UL/CSA approved motor
- Aluminum fan blades
- Plated steel wire guard
- Sizes: 10" to 30"
- Capacities: 460 cfm to 3950 cfm

SEF, PEF & GEF DIRECT DRIVE WALL FANS

SEF SHUTTER MOUNT WALL FAN

- Fan
- Guard
- WS wall shutter



MODEL	MTR HP	AMPS (HIGH)	PERFORMANCE		
			CFM		
			HIGH	MEDIUM	LOW
SEF-10	1/12	1.0	680	540	460
SEF-12	1/12	1.1	825	710	560
SEF-14	1/8	2.0	1520	1400	1250
SEF-16	1/8	2.1	2100	1900	1700
SEF-18	1/8	2.2	2300	2100	1850
SEF-20	1/4	2.3	2925	N/A	2380
SEF-24	1/4	2.5	3400	N/A	2770
SEF-30	1/4	2.7	3950	N/A	3080

PEF PANEL MOUNT WALL FAN

- Fan
- Guard
- Painted steel panel
- WS wall shutter (not shown; optional)



MODEL	MTR HP	AMPS (HIGH)	PERFORMANCE		
			CFM		
			HIGH	MEDIUM	LOW
PEF-10	1/12	1.0	680	540	460
PEF-12	1/12	1.1	825	710	560
PEF-14	1/8	2.0	1520	1400	1250
PEF-16	1/8	2.1	2100	1900	1700
PEF-18	1/8	2.2	2300	2100	1850
PEF-20	1/4	2.3	2925	N/A	2380
PEF-24	1/4	2.5	3400	N/A	2770
PEF-30	1/4	2.7	3950	N/A	3080

GEF GUARD MOUNT WALL FAN

- Fan
- Guard



MODEL	MTR HP	AMPS (HIGH)	PERFORMANCE		
			CFM		
			HIGH	MEDIUM	LOW
GEF-10	1/12	1.0	680	540	460
GEF-12	1/12	1.1	825	710	560
GEF-14	1/8	2.0	1520	1400	1250
GEF-16	1/8	2.1	2100	1900	1700
GEF-18	1/8	2.2	2300	2100	1850
GEF-20	1/4	2.3	2925	N/A	2380
GEF-24	1/4	2.5	3400	N/A	2770
GEF-30	1/4	2.7	3950	N/A	3080

STANDARD FEATURES & BENEFITS SEF, PEF & GEF DIRECT DRIVE WALL FANS

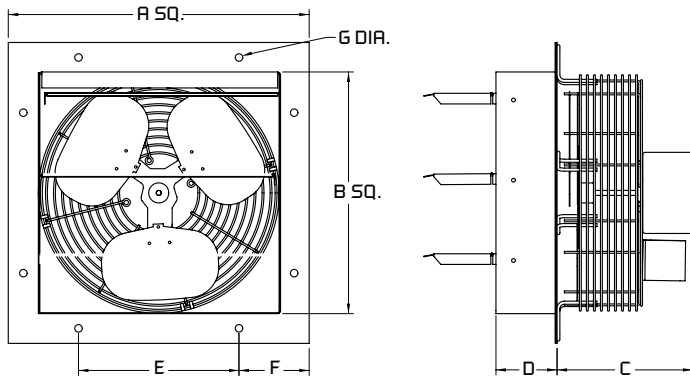
- 2 or 3 speed operation, pull chain switch
- 120 VAC single phase 60 Hz operation
- UL/CSA approved motor
- Totally enclosed permanently lubricated motor
- External stamped junction box included
- Aluminum fan blades
- Plated steel spiral wire guard
- Mounts directly to inside wall

WS WALL SHUTTER (OPTIONAL)

- Aluminum blades; galvanized steel frame

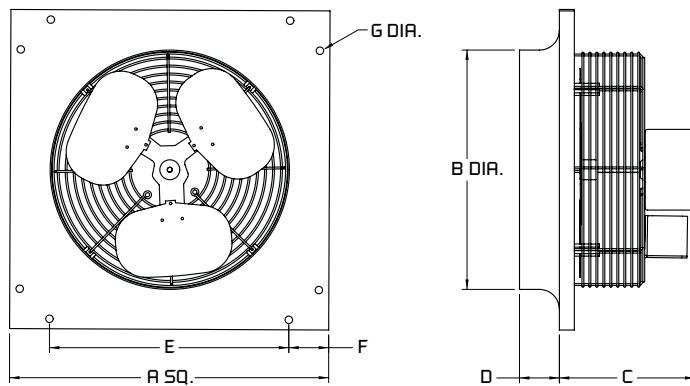


SEF, PEF & GEF DIRECT DRIVE WALL FANS



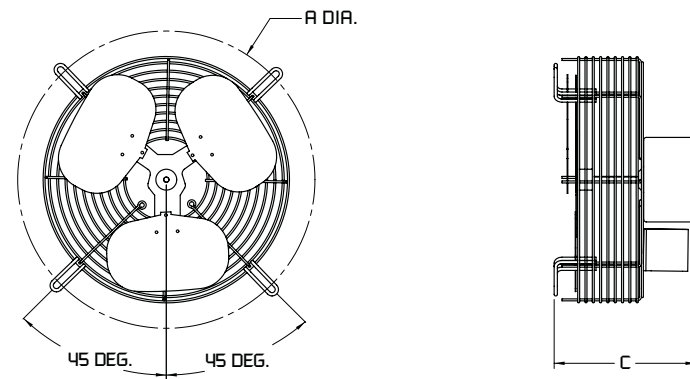
MODEL	DIMENSIONS IN INCHES*							WT (LBS)
	A	B	C	D	E	F	G	
SEF-10	13.0	10.1	6.1	2.5	6.0	3.5	0.3	11
SEF-12	15.0	12.1	7.1	2.5	8.0	3.5	0.3	16
SEF-14	17.0	14.1	7.9	2.5	10.0	3.5	0.3	17
SEF-16	19.0	16.1	7.9	2.5	12.0	3.5	0.3	18
SEF-18	21.0	18.1	7.6	2.5	14.0	3.5	0.3	25
SEF-20	23.0	20.1	9.4	2.5	16.0	3.5	0.3	34
SEF-24	27.0	24.1	9.9	2.5	20.0	3.5	0.3	47
SEF-30	33.0	30.1	9.9	3.0	26.0	3.5	0.3	54

*DO NOT USE FOR CONSTRUCTION
CONSULT FACTORY FOR CERTIFIED PRINTS



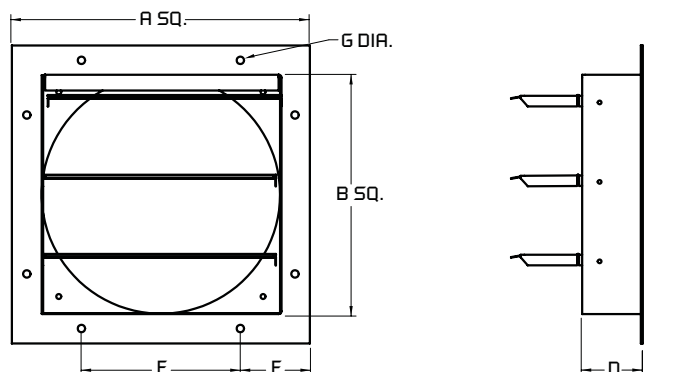
MODEL	DIMENSIONS IN INCHES*							WT (LBS)
	A	B	C	D	E	F	G	
PEF-10	12.5	10.3	6.1	1.0	3.8	4.4	0.3	11
PEF-12	14.5	12.3	7.1	1.0	5.8	4.4	0.3	17
PEF-14	17.0	14.3	7.9	1.5	8.3	4.4	0.3	17
PEF-16	19.0	16.3	7.9	1.9	10.3	4.4	0.3	18
PEF-18	21.0	18.1	7.6	1.8	12.3	4.4	0.3	26
PEF-20	23.0	20.3	9.4	1.8	14.3	4.4	0.3	34
PEF-24	28.0	24.3	9.9	2.5	18.3	4.4	0.3	48
PEF-30	34.0	30.3	9.9	2.5	24.3	4.4	0.3	55

*DO NOT USE FOR CONSTRUCTION
CONSULT FACTORY FOR CERTIFIED PRINTS



MODEL	DIMENSIONS IN INCHES*		
	A	C	WT (LBS)
GEF-10	14.1	5.8	11
GEF-12	16.4	6.8	12
GEF-14	18.2	7.6	17
GEF-16	20.3	7.6	18
GEF-18	22.6	7.3	19
GEF-20	25.4	9.1	34
GEF-24	29.0	9.6	38
GEF-30	34.8	9.6	42

*DO NOT USE FOR CONSTRUCTION
CONSULT FACTORY FOR CERTIFIED PRINTS



MODEL	DIMENSIONS IN INCHES*					
	A	B	D	E	F	G
WS-10	13.0	10.1	2.5	6.0	3.5	0.3
WS-12	15.0	12.1	2.5	8.0	3.5	0.3
WS-14	17.0	14.1	2.5	10.0	3.5	0.3
WS-16	19.0	16.1	2.5	12.0	3.5	0.3
WS-18	21.0	18.1	2.5	14.0	3.5	0.3
WS-20	23.0	20.1	2.5	16.0	3.5	0.3
WS-24	27.0	24.1	2.5	20.0	3.5	0.3
WS-30	33.0	30.1	3.0	26.0	3.5	0.3

*DO NOT USE FOR CONSTRUCTION
CONSULT FACTORY FOR CERTIFIED PRINTS



Industrial Fans & Blowers

Centrifugal Blowers | Axial Fans
 Panel & Flange Fans
 Roof Ventilators | Fiberglass Fans



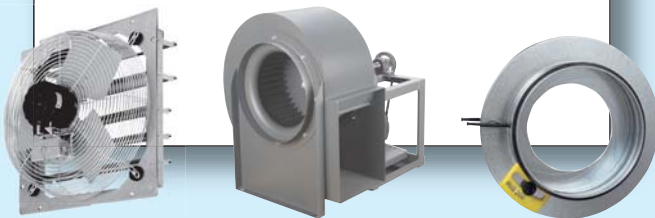
OEM Solutions & Custom Fans

Motorized Axials | Motorized Centrifugals
 OEM Impellers
 Cabinet Cooling | Plenum & Plug Fans



Commercial Fans & Dampers

Wall Fans | Utility Fans
 Cabinet & Exhaust Fans
 Roof Fans | BDD & IRIS Dampers



Residential Fans & Air Purification Systems

Bathroom Fans | In-line Duct Fans
 External Mount Duct Fans
 Dryer Boosting | Air Purification



www.continentalfan.com

—better AIRFLOW by DESIGN™

USA - Continental Fan Manufacturing Inc.
 203 Eggert Road, Buffalo, NY 14215
 T: 716-842-0670 • 800-779-4021 • F: 716-842-0611

Canada - Continental Fan Canada Inc.
 12-205 Matheson Blvd E, Mississauga, ON L4Z 3E3
 T: 905-890-6192 • 800-779-4021 • F: 905-890-6193

SEF, PEF & GEF DIRECT DRIVE WALL FANS 