

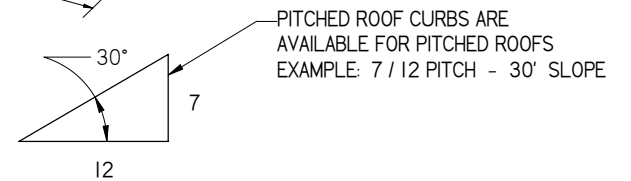
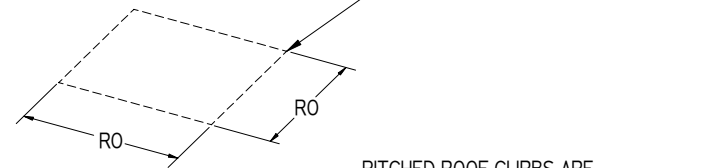
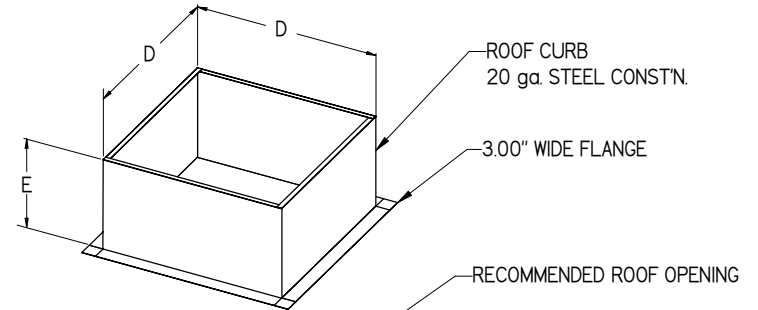
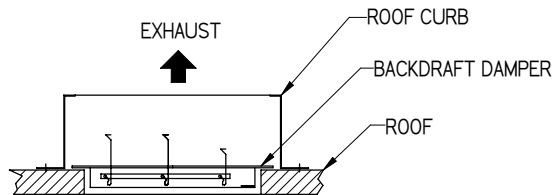
FEATURES:

ROOF MOUNTED DIRECT DRIVE
UL 705 LISTED
SAFETY DISCONNECT C/W SPEED CONTROL
BIRD SCREEN PROTECTION

OPTIONS:

BACKDRAFT DAMPER
HINGED CONSTRUCTION
INSULATED ROOF CURB
PITCHED ROOF PREFAB CURB

BACKDRAFT DAMPER INSTALLATION



CDD SERIES DIRECT DRIVE CENTRIFUGAL EXHAUST FAN							
DIMENSIONAL DATA (INCHES)							
MODEL	HT	W	B	C	R	RO	WEIGHT (lbs)
CDD-10	14.50	20.75	2.00	19.00	8.13	13.00	30
CDD-12	16.25	23.75	2.00	19.00	10.62	13.00	35
CDD-30	19.12	26.25	2.00	21.00	12.12	16.00	45
CDD-33	19.12	26.25	2.00	21.00	12.12	16.00	45
CDD-50	21.75	29.75	2.00	21.00	13.25	16.00	50
CDD-85	23.37	33.25	2.00	24.75	14.87	20.00	60

PREFAB ROOF CURB			
DIMENSIONAL DATA (INCHES)			
MODEL	D	E	RO
CDD-10	17.50	12.00	13.00
CDD-12	17.50	12.00	13.00
CDD-30	19.50	12.00	16.00
CDD-33	19.50	12.00	16.00
CDD-50	19.50	12.00	16.00
CDD-85	23.00	12.00	20.00

DIMENSIONS SUBJECT TO CHANGE WITHOUT NOTICE
DRAWING NOT TO BE USED FOR CONSTRUCTION

		CFM Better Airflow By Design	
		DOWNBLAST ROOF EXHAUSTER FAN	
		CDD SERIES DIRECT DRIVE SUBMITTAL	
02 REV	06 AUG 2010 DATE	J.EE BY	J.E. EVANS 13 MAR 2008 CDD GENERAL SUBMITTAL.dft