



EXHAUST FANS

*better AIRFLOW
by DESIGN™*



**CDB & CDD
DOWNBLAST
FANS**

- Suitable for roof or wall mount
- Backward inclined, non-overloading wheels
- Spun aluminum housing
- Weather resistant construction
- Blades & inlets fabricated from aluminum
- Available in single & three phase voltages
- Belt drive capacities to 17,650 cfm
- Direct drive capacities to 2,750 cfm

CDB BELT DRIVE DOWNBLAST FANS

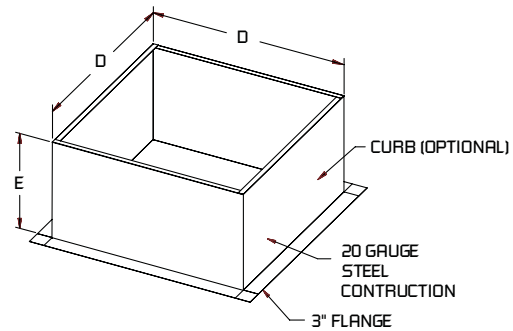
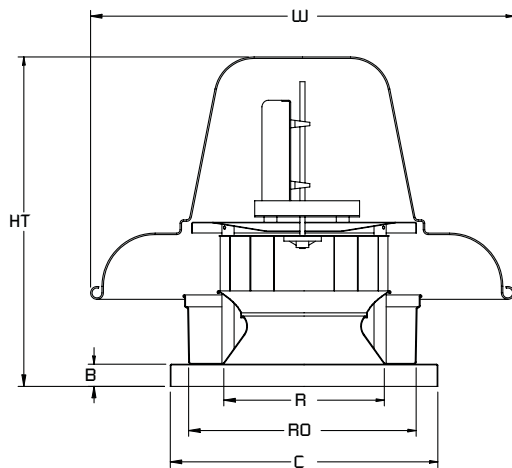
FEATURES & BENEFITS

- Suitable for roof or wall mount (up to model CDB-24/2HP)
- Backward inclined, non-overloading wheels
- Spun aluminum housing for weather resistant durability
- Fully ventilated motor cooling compartment for long motor life
- Quick release latches for easy access to motor compartment
- Blades and inlets fabricated from aluminum
- Variable pitch motor pulley allows for field adjustment and system balancing
- High efficiency wheels and low tip speeds result in quiet operation
- Disconnect switch
- Bird screen
- Vibration isolation
- 110 F max. temperature rating
- Available in the following voltages:
 - o 115-208/230V 1 phase
 - o 208/230V 1 phase
 - o 208/230-460V 3 phase
 - o 575V 3 phase



ACCESSORIES / OPTIONS

- Gravity damper
- Wall mount sleeve
- Motorized damper
- Roof curb



DIMENSIONS IN INCHES*

MODEL	HT	W	B	C	D	E	R	RO	WT (LBS)	DAMPER SQUARE	MANUFACTURE CODE
CDB-07	25.5	26.3	2	21.0	19.5	12	12.1	16	90	15.0	BDCR7
CDB-08	25.5	26.3	2	21.0	19.5	12	12.1	16	90	15.0	BDCR8
CDB-09	25.5	26.3	2	21.0	19.5	12	12.1	16	90	15.0	BDCR9
CDB-11	25.5	26.3	2	21.0	19.5	12	12.1	16	105	15.0	BDCR11
CDB-13	27.3	29.6	2	21.0	19.5	12	13.3	16	105	15.0	BDCR13
CDB-15	30.6	33.3	2	24.8	23.0	12	14.9	20	130	19.0	BDCR15
CDB-18	32.8	38.3	2	28.0	26.5	12	16.5	24	190	23.0	BDCR18
CDB-20	32.8	38.3	2	28.0	26.5	12	18.0	24	195	23.0	BDCR20
CDB-24	37.8	42.5	2	33.0	31.5	12	23.9	28	215	27.0	BDCR24
CDB-30	40.0	52.0	2	40.0	38.0	12	24.0	36	380	35.0	BDCR30
CDB-36	43.0	66.0	2	44.5	43.0	12	30.8	36	420	35.5	BDCR36

*DO NOT USE FOR CONSTRUCTION

CONSULT FACTORY FOR CERTIFIED PRINTS

CDB BELT DRIVE DOWNBLAST FANS

PERFORMANCE									
MODEL	RPM	MTR HP	0" S.P. CFM SONE / BHP	0.25" S.P. CFM SONE / BHP	0.50" S.P. CFM SONE / BHP	0.75" S.P. CFM SONE / BHP	1" S.P. CFM SONE / BHP	1.25" S.P. CFM SONE / BHP	1.50" S.P. CFM SONE / BHP
CDB-07-14	700	0.25	355 2.0 / 0.02						
CDB-07-14	900	0.25	455 4.3 / 0.04	300 2.9 / 0.05					
CDB-07-14	1100	0.25	560 6.4 / 0.08	434 5.5 / 0.08	265 5.3 / 0.08				
CDB-07-14	1300	0.25	660 6.8 / 0.13	556 6.8 / 0.13	440 6.5 / 0.13	256 6.2 / 0.12			
CDB-07-14	1500	0.25	760 11.1 / 0.19	673 11.0 / 0.20	577 10.8 / 0.20	468 10.2 / 0.20	295 9.0 / 0.18		
CDB-08-14	700	0.25	512 2.4 / 0.2						
CDB-08-14	900	0.25	655 5.0 / 0.05	483 4.5 / 0.06					
CDB-08-14	1100	0.25	800 7.3 / 0.09	670 7.1 / 0.10	500 6.4 / 0.10				
CDB-08-14	1300	0.25	945 9.8 / 0.14	841 9.5 / 0.15	712 8.8 / 0.17	544 8.5 / 0.16			
CDB-08-14	1500	0.25	1095 13.1 / 0.22	1002 12.9 / 0.23	900 12.9 / 0.25	775 12.4 / 0.25	628 11.3 / 0.25		
CDB-09-14	800	0.25	715 3.8 / 0.04	428 3.6 / 0.04					
CDB-09-14	1000	0.25	895 6.8 / 0.07	701 6.7 / 0.08					
CDB-09-14	1200	0.25	1075 9.3 / 0.12	928 9.1 / 0.13	717 9.1 / 0.14				
CDB-09-14	1400	0.25	1255 11.6 / 0.19	1136 11.5 / 0.21	984 11.3 / 0.22	771 9.9 / 0.22			
CDB-09-13	1600	0.33	1435 16.1 / 0.28	1332 15.7 / 0.30	1211 15.3 / 0.32	1057 14.7 / 0.33	870 13.8 / 0.32	585 13.0 / 0.30	
CDB-11-14	800	0.25	735 2.7 / 0.03						
CDB-11-14	1000	0.25	920 4.2 / 0.06	710 3.6 / 0.09					
CDB-11-14	1200	0.25	1105 6.7 / 0.10	965 6.0 / 0.15	728 5.4 / 0.16				
CDB-11-13	1400	0.33	1286 8.7 / 0.16	1212 8.8 / 0.20	986 8.2 / 0.25	788 6.6 / 0.26			
CDB-13-14	800	0.25	1298 5.7 / 0.08	1000 6.0 / 0.16					
CDB-13-14	900	0.25	1458 7.2 / 0.11	1207 6.4 / 0.13					
CDB-13-14	1000	0.25	1622 9.2 / 0.15	1394 8.5 / 0.18	1113 7.5 / 0.19				
CDB-13-14	1100	0.25	1781 11.4 / 0.20	1575 10.9 / 0.23	1356 10.0 / 0.25				
CDB-13-13	1200	0.33	1943 14.0 / 0.26	1762 13.8 / 0.30	1561 12.7 / 0.32	1288 12.0 / 0.32			
CDB-13-12	1300	0.50	2107 13.9 / 0.33	1932 13.9 / 0.36	1756 13.6 / 0.39	1553 11.6 / 0.40			
CDB-13-12	1400	0.50	2272 15.9 / 0.41	2108 15.0 / 0.44	1948 14.7 / 0.48	1769 13.9 / 0.50	1541 12.3 / 0.50		

CDB BELT DRIVE DOWNBLAST FANS

PERFORMANCE									
MODEL	RPM	MTR HP	0" S.P. CFM SONE / BHP	0.25" S.P. CFM SONE / BHP	0.50" S.P. CFM SONE / BHP	0.75" S.P. CFM SONE / BHP	1" S.P. CFM SONE / BHP	1.25" S.P. CFM SONE / BHP	1.50" S.P. CFM SONE / BHP
CDB-15-14	700	0.25	1807 5.0 / 0.10	1376 4.0 / 0.12					
CDB-15-14	800	0.25	2068 7.0 / 0.15	1708 6.1 / 0.18	1066 4.4 / 0.17				
CDB-15-13	900	0.33	2330 8.9 / 0.21	2017 8.1 / 0.24	1600 6.9 / 0.26				
CDB-15-13	1000	0.33	2586 10.7 / 0.29	2327 9.9 / 0.30	1995 9.1 / 0.35	1446 7.1 / 0.33			
CDB-15-12	1100	0.50	2844 10.9 / 0.38	2605 10.9 / 0.42	2321 10.8 / 0.45	1957 9.6 / 0.46	1155 9.3 / 0.39		
CDB-15-34	1200	0.75	3106 13.9 / 0.49	2886 13.8 / 0.53	2643 13.5 / 0.57	2343 12.8 / 0.59	1915 11.6 / 0.57		
CDB-18-14	600	0.25	2344 5.9 / 0.17	1905 5.0 / 0.20					
CDB-18-13	700	0.33	2739 8.8 / 0.26	2361 7.8 / 0.30	1830 6.6 / 0.30				
CDB-18-12	800	0.50	3138 11.6 / 0.39	2800 10.6 / 0.43	2445 9.5 / 0.46	1681 8.9 / 0.42			
CDB-18-34	900	0.75	3529 13.7 / 0.55	3235 12.9 / 0.60	2928 11.9 / 0.63	2559 10.9 / 0.64			
CDB-18-01	1000	1.00	3920 14.8 / 0.74	3661 14.8 / 0.79	3384 14.0 / 0.83	3086 12.8 / 0.86	2682 11.9 / 0.85		
CDB-20-14	500	0.25	2862 5.0 / 0.15	2094 3.7 / 0.17					
CDB-20-13	600	0.33	3444 7.5 / 0.25	2890 6.4 / 0.30					
CDB-20-12	700	0.50	4010 10.5 / 0.39	3592 9.6 / 0.45	2939 8.1 / 0.47				
CDB-20-34	800	0.75	4580 12.7 / 0.58	4229 11.9 / 0.65	3746 10.7 / 0.69	3049 8.9 / 0.68			
CDB-20-01	900	1.00	5156 15.5 / 0.81	4849 15.5 / 0.90	4476 14.7 / 0.95	3954 13.5 / 0.96	3224 11.3 / 0.92		
CDB-24-14	400	0.25	3781 5.8 / 0.17	2437 4.6 / 0.20					
CDB-24-34	600	0.75	5687 12.0 / 0.56	5075 11.3 / 0.65	4002 9.4 / 0.65				
CDB-24-02	800	2.00	7592 19.2 / 1.29	7141 19.2 / 1.40	6549 18.3 / 1.48	5847 17.5 / 1.52	4964 15.9 / 1.51	2975 16.1 / 1.26	
CDB-30-34	400	0.75	6553 7.1 / 0.51	5571 6.2 / 0.59	3674 5.0 / 0.53				
CDB-30-32	500	1.50	8186 11.3 / 0.95	7425 10.4 / 1.08	6454 9.1 / 1.11	4953 8.1 / 1.06			
CDB-30-02	600	2.00	9840 14.1 / 1.64	9212 14.2 / 1.81	8550 12.6 / 1.90	7701 11.2 / 1.93	6443 10.9 / 1.87		
CDB-30-03	700	3.00	11500 17.7 / 2.59	10944 17.6 / 2.79	10393 17.0 / 2.91	9841 15.8 / 3.00	9025 14.9 / 3.00	8054 13.9 / 3.00	6763 13.8 / 2.82
CDB-36-34	300	0.75	8790 5.9 / 0.50	6827 5.0 / 0.61					
CDB-36-32	400	1.50	11759 10.6 / 1.14	10441 9.6 / 1.34	8594 8.4 / 1.38				
CDB-36-03	500	3.00	14700 15.5 / 2.20	13686 14.7 / 2.47	12514 13.7 / 2.63	10971 12.4 / 2.66	7759 12.4 / 2.31		
CDB-36-05	600	5.00	17654 21.0 / 3.77	16771 21.0 / 4.08	15903 19.8 / 4.35	14859 18.8 / 4.50	13638 18.0 / 4.56	12000 17.9 / 4.47	

CDD DIRECT DRIVE DOWNBLAST FANS

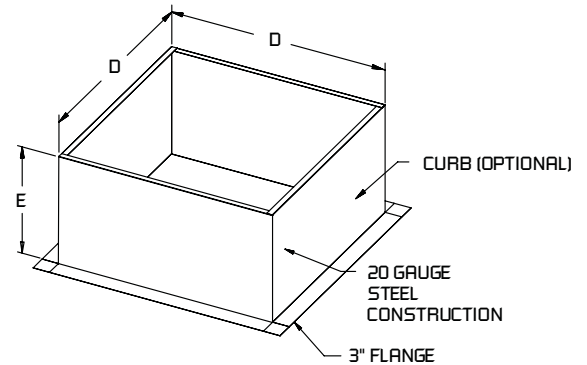
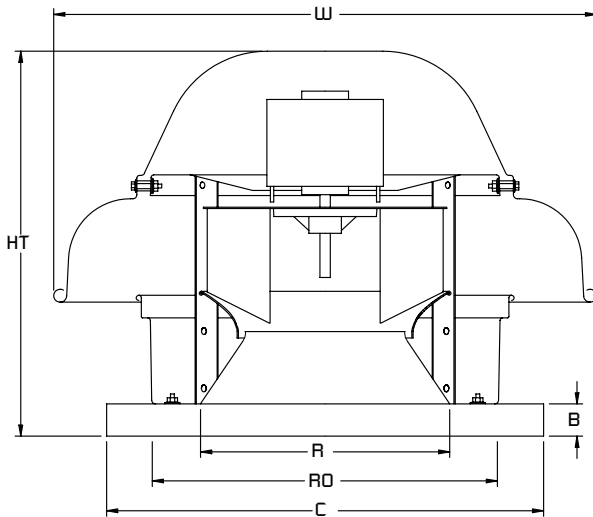
FEATURES & BENEFITS

- Suitable for roof or wall mount
- Backward inclined, non overloading wheels
- Spun aluminum housing for weather resistant durability
- Wire conduit provides protected channel for electrical connections
- Blades and inlets fabricated from aluminum
- Bird screen
- Variable speed control
- 110 F max. temperature rating
- Available in 115V 1 phase



ACCESSORIES / OPTIONS

- Gravity damper
- Motorized damper
- Wall mount sleeve
- Roof curb



MODEL	DIMENSIONS IN INCHES*									WT (LBS)	DAMPER SQUARE	MANUFACTURE CODE
	HT	W	B	C	D	E	R	RO				
CDD-10	14.5	20.8	2	19.0	17.5	12	8.1	13	30	12	DR10H	
CDD-12	16.3	23.8	2	19.0	17.5	12	10.6	13	35	12	DR12H	
CDD-30	19.1	26.3	2	21.0	19.5	12	12.1	16	45	15	DR30H	
CDD-33	19.1	26.3	2	21.0	19.5	12	12.1	16	45	15	DR33H	
CDD-50	21.8	29.8	2	21.0	19.5	12	13.3	16	50	15	DR50H	
CDD-85	23.4	33.3	2	24.8	23.0	12	14.9	20	60	19	DR85H	

*DO NOT USE FOR CONSTRUCTION

CONSULT FACTORY FOR CERTIFIED PRINTS

CDD DIRECT DRIVE DOWNBLAST FANS

PERFORMANCE											
MODEL	RPM	MTR HP	0" S.P.	0.125" S.P.	0.25" S.P.	0.375" S.P.	0.50" S.P.	0.625" S.P.	0.75" S.P.	0.875" S.P.	1" S.P.
			CFM SONE/BHP	CFM SONE/BHP	CFM SONE/BHP	CFM SONE/BHP	CFM SONE/BHP	CFM SONE/BHP	CFM SONE/BHP	CFM SONE/BHP	CFM SONE/BHP
CDD-10	1000	0.07	338 3.1 / 0.02	259 3.1 / 0.02	166 3.1 / 0.02						
CDD-10	1100	0.07	371 3.7 / 0.02	300 3.7 / 0.02	226 3.7 / 0.02	111 3.7 / 0.02					
CDD-10	1200	0.07	405 4.4 / 0.03	339 4.4 / 0.03	275 4.4 / 0.03	188 4.4 / 0.03					
CDD-10	1300	0.07	439 5.2 / 0.04	378 5.2 / 0.04	319 5.2 / 0.04	250 5.2 / 0.04	155 5.2 / 0.04				
CDD-10	1400	0.07	473 6 / 0.05	416 6 / 0.05	361 6 / 0.05	303 6 / 0.05	227 6 / 0.05	122 6 / 0.05			
CDD-10	1500	0.07	507 7.2 / 0.06	453 7.2 / 0.06	402 7.2 / 0.06	351 7.2 / 0.06	288 7.2 / 0.06	211 7.2 / 0.06	89 7.2 / 0.06		
CDD-10	1600	0.07	541 8 / 0.07	490 8 / 0.07	442 8 / 0.07	394 8 / 0.07	342 8 / 0.07	275 8 / 0.07	197 8 / 0.07		

CDD-12	925	0.18	505 4.1 / 0.03	384 4.1 / 0.03	250 4.1 / 0.03	110 4.1 / 0.03					
CDD-12	1025	0.18	559 5.0 / 0.04	451 5.0 / 0.04	335 5.0 / 0.04	205 5.0 / 0.04					
CDD-12	1125	0.18	614 6.1 / 0.06	516 6.1 / 0.06	413 6.1 / 0.06	299 6.1 / 0.06	181 6.1 / 0.06				
CDD-12	1225	0.18	668 7.3 / 0.08	578 7.3 / 0.08	486 7.3 / 0.08	385 7.3 / 0.08	276 7.3 / 0.08	171 7.3 / 0.08			
CDD-12	1325	0.18	723 8.6 / 0.10	640 8.6 / 0.10	555 8.6 / 0.10	465 8.6 / 0.10	369 8.6 / 0.10	267 8.6 / 0.10	172 8.6 / 0.10		
CDD-12	1425	0.18	778 10.0 / 0.12	701 10.0 / 0.12	622 10.0 / 0.12	541 10.0 / 0.12	453 10.0 / 0.12	360 10.0 / 0.12	267 10.0 / 0.12	180 10.0 / 0.12	

CDD-30	1100	0.25	911 6.3 / 0.07	838 6.3 / 0.07	756 6.3 / 0.07	656 6.3 / 0.07	532 6.3 / 0.07				
CDD-30	1200	0.25	994 7.4 / 0.09	927 7.4 / 0.09	854 7.4 / 0.09	771 7.4 / 0.09	672 7.4 / 0.09	543 7.4 / 0.09			
CDD-30	1300	0.25	1077 8.6 / 0.11	1015 8.6 / 0.11	950 8.6 / 0.11	880 8.6 / 0.11	793 8.6 / 0.11	698 8.6 / 0.11	568 8.6 / 0.11		
CDD-30	1400	0.25	1160 10 / 0.14	1103 10 / 0.14	1044 10 / 0.14	979 10 / 0.14	907 10 / 0.14	824 10 / 0.14	733 10 / 0.14	606 10 / 0.14	
CDD-30	1500	0.25	1243 11.5 / 0.17	1190 11.5 / 0.17	1135 11.5 / 0.17	1076 11.5 / 0.17	1015 11.5 / 0.17	940 11.5 / 0.17	863 11.5 / 0.17	775 11.5 / 0.17	654 11.5 / 0.17
CDD-30	1600	0.25	1326 13.1 / 0.21	1276 13.1 / 0.21	1225 13.1 / 0.21	1171 13.1 / 0.21	1114 13.1 / 0.21	1053 13.1 / 0.21	980 13.1 / 0.21	906 13.1 / 0.21	824 13.1 / 0.21

CDD DIRECT DRIVE DOWNBLAST FANS

PERFORMANCE											
MODEL	RPM	MTR HP	0" S.P.	0.125" S.P.	0.25" S.P.	0.375" S.P.	0.50" S.P.	0.625" S.P.	0.75" S.P.	0.875" S.P.	1" S.P.
			CFM SONE/BHP	CFM SONE/BHP	CFM SONE/BHP	CFM SONE/BHP	CFM SONE/BHP	CFM SONE/BHP	CFM SONE/BHP	CFM SONE/BHP	CFM SONE/BHP
CDD-33	1100	0.33	859 6.3 / 0.09	783 6.3 / 0.09	715 6.3 / 0.09	635 6.3 / 0.09	535 6.3 / 0.09				
CDD-33	1200	0.33	938 7.5 / 0.12	868 7.5 / 0.12	803 7.5 / 0.12	739 7.5 / 0.12	657 7.5 / 0.12	555 7.5 / 0.12			
CDD-33	1300	0.33	1016 8.7 / 0.15	951 8.7 / 0.15	890 8.7 / 0.15	833 8.7 / 0.15	765 8.7 / 0.15	685 8.7 / 0.15	579 8.7 / 0.15		
CDD-33	1400	0.33	1094 10.1 / 0.19	1034 10.1 / 0.19	975 10.1 / 0.19	923 10.1 / 0.19	868 10.1 / 0.19	799 10.1 / 0.19	721 10.1 / 0.19	617 10.1 / 0.19	
CDD-33	1500	0.33	1172 11.6 / 0.23	1116 11.6 / 0.23	1060 11.6 / 0.23	1010 11.6 / 0.23	961 11.6 / 0.23	904 11.6 / 0.23	839 11.6 / 0.23	763 11.6 / 0.23	667 11.6 / 0.23
CDD-33	1600	0.33	1250 13.1 / 0.28	1198 13.1 / 0.28	1145 13.1 / 0.28	1097 13.1 / 0.28	1051 13.1 / 0.28	1004 13.1 / 0.28	945 13.1 / 0.28	884 13.1 / 0.28	812 13.1 / 0.28

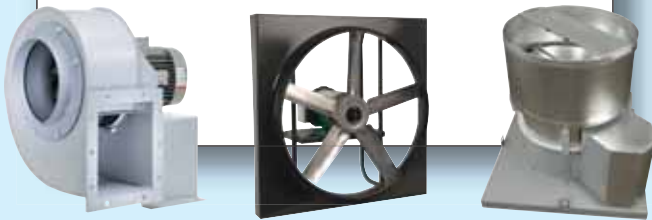
CDD-50	1050	0.5	1631 8.4 / 0.13	1510 8.4 / 0.13	1375 8.4 / 0.13	1210 8.4 / 0.13	1015 8.4 / 0.13	791 8.4 / 0.13			
CDD-50	1150	0.5	1787 9.7 / 0.17	1677 9.7 / 0.17	1557 9.7 / 0.17	1426 9.7 / 0.17	1258 9.7 / 0.17	1074 9.7 / 0.17	866 9.7 / 0.17		
CDD-50	1250	0.5	1942 11.3 / 0.22	1841 11.3 / 0.22	1735 11.3 / 0.22	1618 11.3 / 0.22	1480 11.3 / 0.22	1323 11.3 / 0.22	1151 11.3 / 0.22	964 11.3 / 0.22	
CDD-50	1350	0.5	2097 13 / 0.27	2004 13 / 0.27	1909 13 / 0.27	1801 13 / 0.27	1693 13 / 0.27	1550 13 / 0.27	1402 13 / 0.27	1243 13 / 0.27	1079 13 / 0.27
CDD-50	1450	0.5	2253 14.8 / 0.34	2166 14.8 / 0.34	2078 14.8 / 0.34	1981 14.8 / 0.34	1880 14.8 / 0.34	1767 14.8 / 0.34	1635 14.8 / 0.34	1494 14.8 / 0.34	1346 14.8 / 0.34

CDD-85	1150	0.75	2366 11.1 / 0.25	2251 11.1 / 0.25	2134 11.1 / 0.25	2003 11.1 / 0.25	1866 11.1 / 0.25	1703 11.1 / 0.25	1526 11.1 / 0.25	1331 11.1 / 0.25	1102 11.1 / 0.25
CDD-85	1250	0.75	2572 12.8 / 0.33	2467 12.8 / 0.33	2359 12.8 / 0.33	2244 12.8 / 0.33	2122 12.8 / 0.33	1987 12.8 / 0.33	1837 12.8 / 0.33	1674 12.8 / 0.33	1499 12.8 / 0.33
CDD-85	1350	0.75	2778 14.7 / 0.41	2681 14.7 / 0.41	2581 14.7 / 0.41	2480 14.7 / 0.41	2367 14.7 / 0.41	2254 14.7 / 0.41	2122 14.7 / 0.41	1984 14.7 / 0.41	1834 14.7 / 0.41



Industrial Fans & Blowers

Centrifugal Blowers | Axial Fans
Panel & Flange Fans
Roof Ventilators | Fiberglass Fans



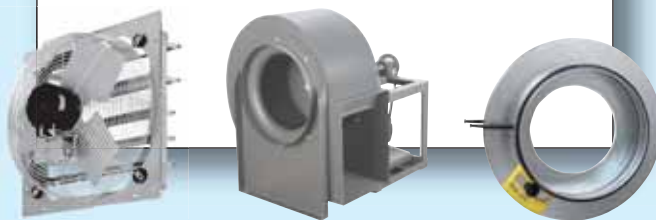
OEM Solutions & Custom Fans

Motorized Axials | Motorized Centrifugals
OEM Impellers
Cabinet Cooling | Plenum & Plug Fans



Commercial Fans & Dampers

Wall Fans | Utility Fans
Cabinet & Exhaust Fans
Roof Fans | BDD & IRIS Dampers



Residential Fans & Air Purification Systems

Bathroom Fans | In-line Duct Fans
External Mount Duct Fans
Dryer Boosting | Air Purification



www.continentalfan.com

—better AIRFLOW by DESIGN™

USA - Continental Fan Manufacturing Inc.
203 Eggert Road, Buffalo, NY 14215
T: 716-842-0670 • 800-779-4021 • F: 716-842-0611

Canada - Continental Fan Canada Inc.
12-205 Matheson Blvd E, Mississauga, ON L4Z 3E3
T: 905-890-6192 • 800-779-4021 • F: 905-890-6193

CDB & CDD DOWNBLAST FANS

