

**NEW  
PRODUCT**

## CF BATHROOM EXHAUST FANS

CF Bathroom Exhaust Fans come complete with a clean and simple grille design, suitable for all interiors. The built-in damper prevents a backdraft, keeping tempered air in a home when the fan is not operating.



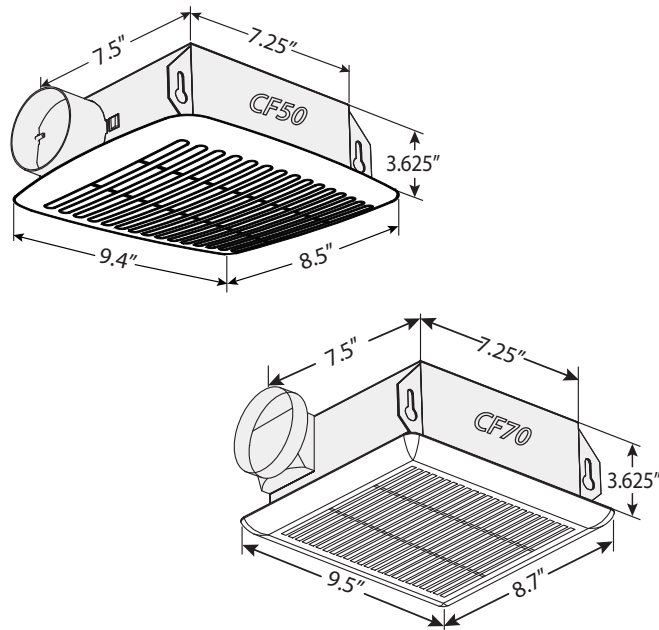
CF50 & CF70 Bathroom Exhaust Fans

### Design Features

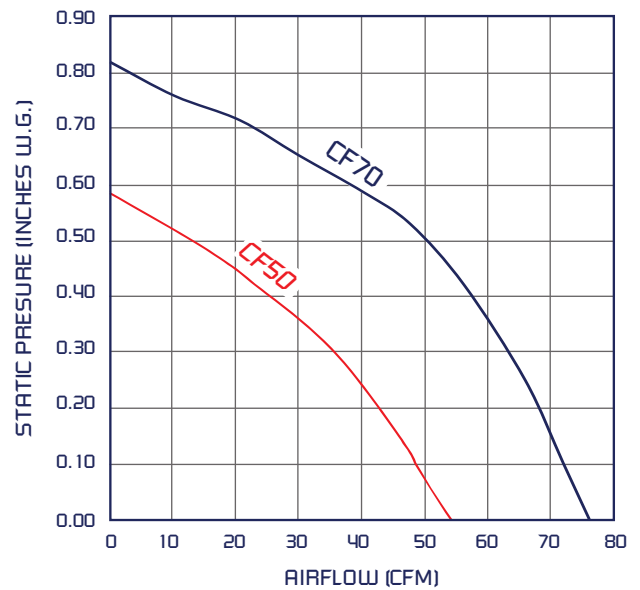
- Clean, simple grille design
- Galvanized steel housing
- Easy installation
- Double hanger mounting brackets adjust up to 24" span
- Built-in backdraft damper
- Efficient AC motor
- 120 V, 60 Hz operation
- Automatic reset thermal overload protection
- Contractor packages available (6 units per box)
- Available to fit duct sizes 3" & 4"



HVI Certified model CF70



### PERFORMANCE



MODEL	DIMENSIONS IN INCHES*				
	DUCT DIA.	GRILLE SIZE	HOUSING SIZE		
			L	W	H
CF50	3	9.4 X 8.5	7.25	7.5	3.625
CF70	4	9.5 X 8.7	7.25	7.5	3.625

MODEL	PERFORMANCE		
	SONES	WATTS	CFM @ 0.1" SP
CF50	3.5	51	50
CF70	3.5	63	70

\*DO NOT USE FOR CONSTRUCTION

CONSULT FACTORY FOR CERTIFIED PRINTS

**Continental Fan Manufacturing Inc.**  
203 Eggert Road  
Buffalo, New York 14215

**Continental Fan Canada Inc.**  
12-205 Matheson Blvd E  
Mississauga, Ontario L4Z 3E3

**Continental Fan Manufacturing Inc.**  
6274 Executive Blvd.  
Dayton, Ohio 45424