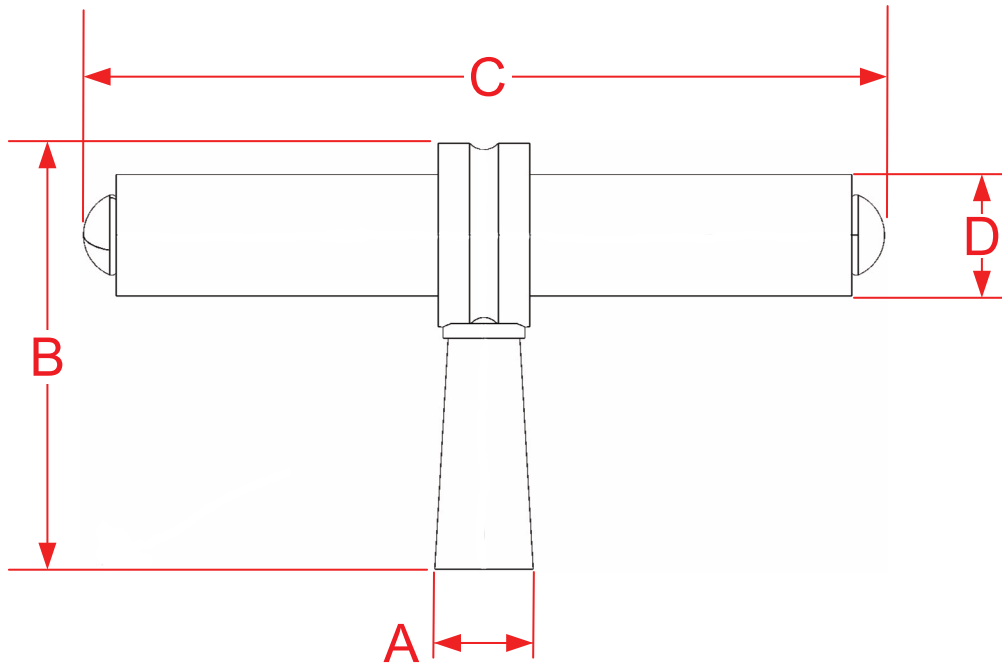


309 and 309 T Cabinet Knob Series

Finishes for Life
TARNISH-FREE GUARANTEED



	A	B	C	D
Part #	Base	Projection	Overall	Diameter
308	0.3000"	1.3125"	1.4375"	0.3750"
309	0.3000"	1.3125"	2.4375"	0.3750"
Custom Sizing Available				



Manufacturing Fine Architectural Hardware
in the USA Since 1927



Copyright
Colonial Bronze Company
All rights reserved
www.colonialbronze.com -
860.489.9233