

Codelocks CL0460

Narrow Stile Codelock for Aluminium doors

The narrow stile Codelock is an affordable alternative to electronic keypads, electric strikes, magnetic locks and other systems used on aluminium framed doors. There have been limited mechanical digital lock options for this market, until now.

The narrow stile Codelock is a medium duty mechanical Codelock suitable for use with aluminium doors. The lock is ideal for new or retrofit applications. Designed to be retrofitted to Adams Rite or similar style ANSI round cylinder mortice deadlatches. As usual Codelocks have designed the product so everything required to fit the lock to the door (including cams) is in the box, making ordering and fitting very easy.

- Non handed – suitable for left or right hand hung doors, makes ordering/fitting very simple
- Full size lever handles standard, ball shape knobs available
- Easy installation
- PVD weather resistant, low maintenance finish
- Includes cams and fixing tabs
- Designed to be retrofitted to Adams Rite or similar style ANSI round cylinder mortice deadlatches – not supplied

The narrow stile mechanical Codelock provides access control in the following ways:

- By code via the keypad
- By key which can override the code and retract the latch
- The key can also be used to lock out code users Code Free operation can be selected with the 0465 and 0475 models
- For internal and external use



CODELOCK
0460
MECHANICAL

Codelocks CL0460 Range

Technical Specifications

Suitable for use with aluminium doors.
Designed to be retrofitted to Adams Rite or similar style ANSI round cylinder mortice deadlatches (not supplied).

Body material Zinc alloy

Non handed Lock will fit doors hung on the left or right

Codes 8,191 non sequential codes available

Code storage single code

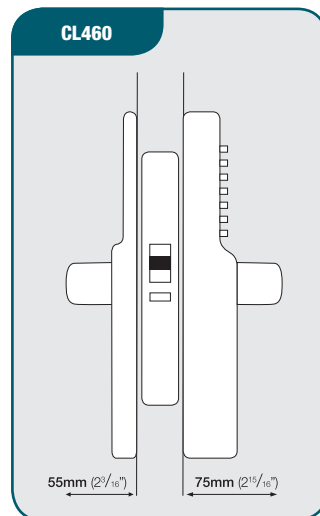
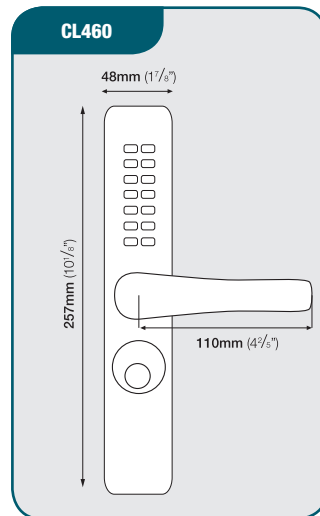
Key override As standard the lock has a key override function

Keying alike Locks can be keyed alike on request

For internal and external use.

Finishes available

PVD (Physical Vapour Deposition)
hardwearing low maintenance finish
SS (stainless steel)



CL0460L

Narrow stile Codelock complete with cams and threaded cylinder and lever handles.

CL0465L

Narrow stile Codelock complete with Code Free function, cams and threaded cylinder and lever handles.

CL0470L

Narrow stile Codelock complete with cams and euro profile cylinder and lever handles.

CL0475L

Narrow stile Codelock complete with Code Free function, cams and euro profile cylinder and lever handles.

L = Lever handle supplied as standard

Ball shape knob option available for each product



Codes: All our mechanical locks are supplied with a random code commencing with the 'C' clear button. To change the code after fitting, the lock must first be removed from the door.

The code is non sequential, that is the code can be entered in any order e.g. 1234 can be 4321 or 1342 or whatever is the most convenient sequence. With the 13 buttons a total of 8,191 different codes are available, any of which may be entered in any order.