



## LOCK MODELS

### Tubular Latch

CL4510 + CL5510

Medium duty tubular latch retracts via the outside lever after a valid code input. When the door closes, the spring latch will lock the door.

### Mortise Lock

CL5550

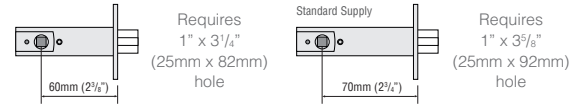
Grade 1 ANSI American Mortise Latchbolt.

### Panic Access Kit

CL5510 Only

Front plate only. Install with new or existing panic equipment. The follower on the panic equipment must return to square to align with follower on the lock.

### Two Tubular Latch Sizes Available:



## AUXILIARY CONNECTIONS

### Remote Release

REM1 is intended for push-button release where the lock will open for the normal set time. REM2 is intended for use where the lock needs to be released for a longer period. When a switch or relay connected to REM2 is closed, the lock will open for a period of 30 minutes after which the lock will revert to normal operation.

### Sensor + Alert

A hybrid mode combining the support for a single dry contact switch or sensor (as per Sensor Mode) and an output. The output can be connected to any compatible device, such as CCTV, with an input that supports the detection of a falling (changing) voltage.

### Unlock + Lock Down

Support the connection of two dry contact switches. Connected to REM1, the switch will unlock the lock for the period set by the standard re-lock delay. Connected to REM2, the switch would trigger the Lock Down Mode of the lock, disabling all codes aside from the Master and Sub-Master codes.

### Sensor Mode

Allows two dry contact switches or sensors (door status and latch monitoring) to be connected. Trigger entry will be added to the audit trail.

### IC Cylinder Option

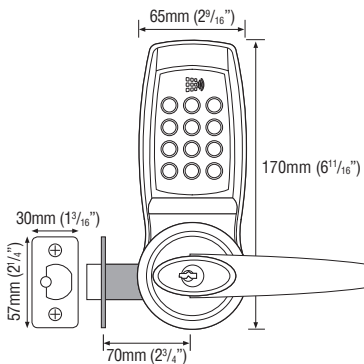
Prepped to receive a Small Format Interchangeable Core. Please note we do not supply core or keys.

## TECHNICAL SPECIFICATIONS

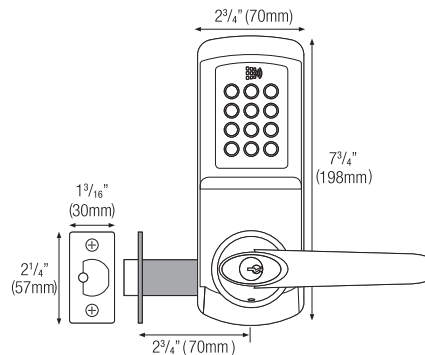
FEATURE	DESCRIPTION
Spindle Type	5/16" (8mm) spring loaded spindle
Batteries	Monitor status via App - 4 x AA batteries
Tubular Latch	Medium duty deadlocking latch
Low Battery Warning	Red LED will flash on opening to indicate low battery
Buttons	12 button back-lit keypad
Material	Zinc Alloy
Finish Color	Brushed Steel
Non Handed	Locks will fit doors hung on the left or right
Door Thickness	1 3/8" - 2 3/8" (35mm - 60mm)
Key Bypass	As standard and front cylinder change
Keyed Alike	Locks can be supplied keyed alike on request
Memory	Stores 350 different Clients
NetCode	Available via the App or online Portal
Install Options	Vertical only
Suitable For	Interior and exterior use

## PRODUCT DIMENSIONS

### CL4510



### CL5510



### CL5550

