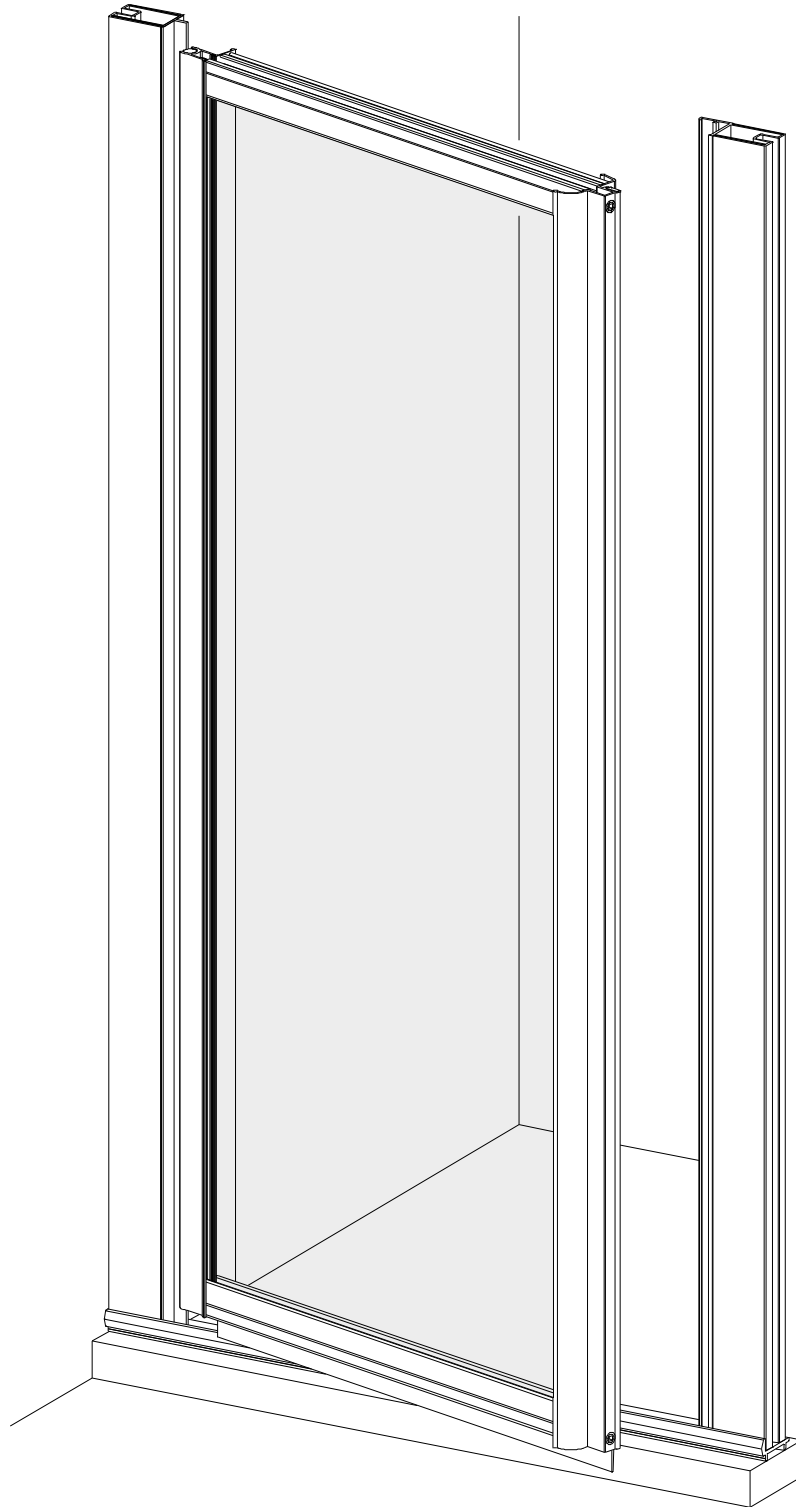
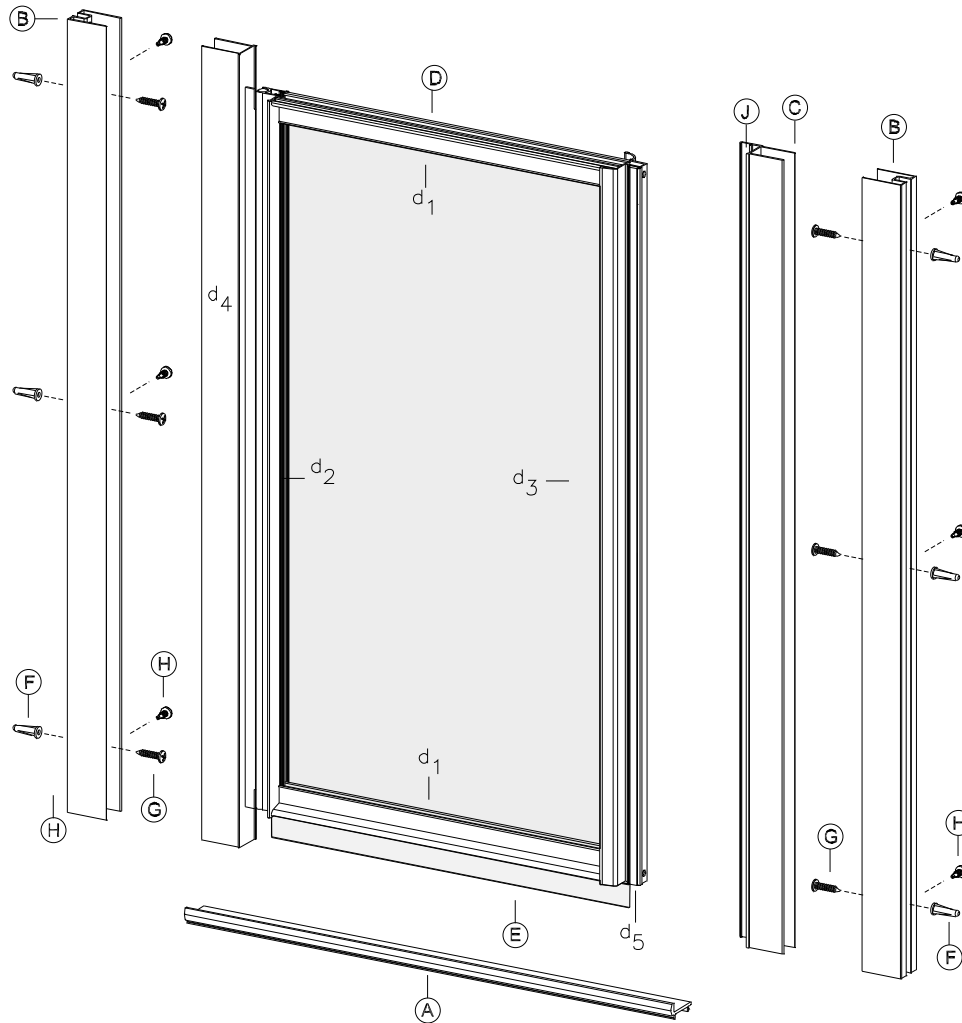


Legend

(continuous hinge)



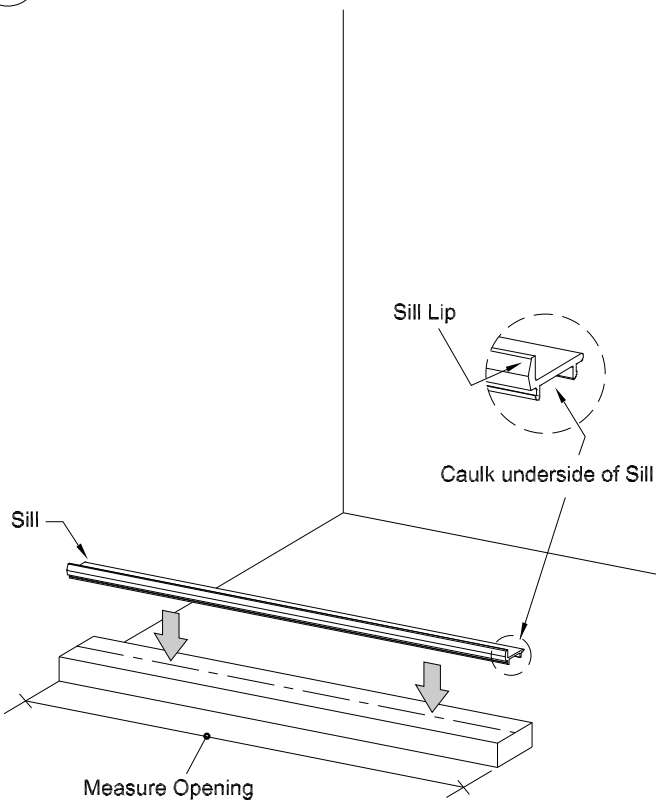
LEGEND CONTINUOUS HINGE UNIT
(EXPLODED VIEW)



PARTS LIST

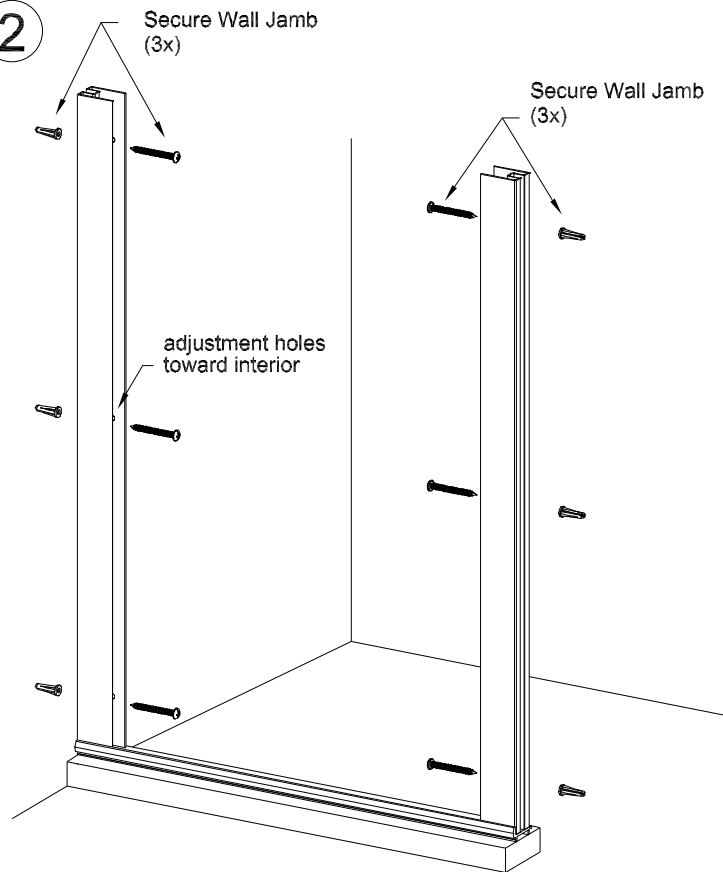
PART LETTER	KEY NUMBER	DESCRIPTION	QUANTITY
A	98	SILL	1
B	404WJ	WALL JAMB	2
C	442	STRIKE JAMB	1
D	---	DOOR ASSEMBLY	1
d1	227	Door Rails	2
d2	154	Door Hinge Stile	1
d3	226	Door Strike Stile	1
d4	443	Door Hinge Jamb	1
d5	98-42	Door Magnet	1
d6	C 173 B	Glazing Vinyl (not shown)	
d7	6112FSL	Door Assembly Screw (not shown)	4
d8	CP156	Door Assembly Hinge Pin (not shown)	2
E	C 176 B	VINYL SWEEP.....	1
F	1329	PLASTIC SCRW ANCHORS	6
G	8112	INSTALLATION SCREWS	6
H	812QPT	ADJUSTMENT SCREWS	6
J	98-42	MAGNET	1

1



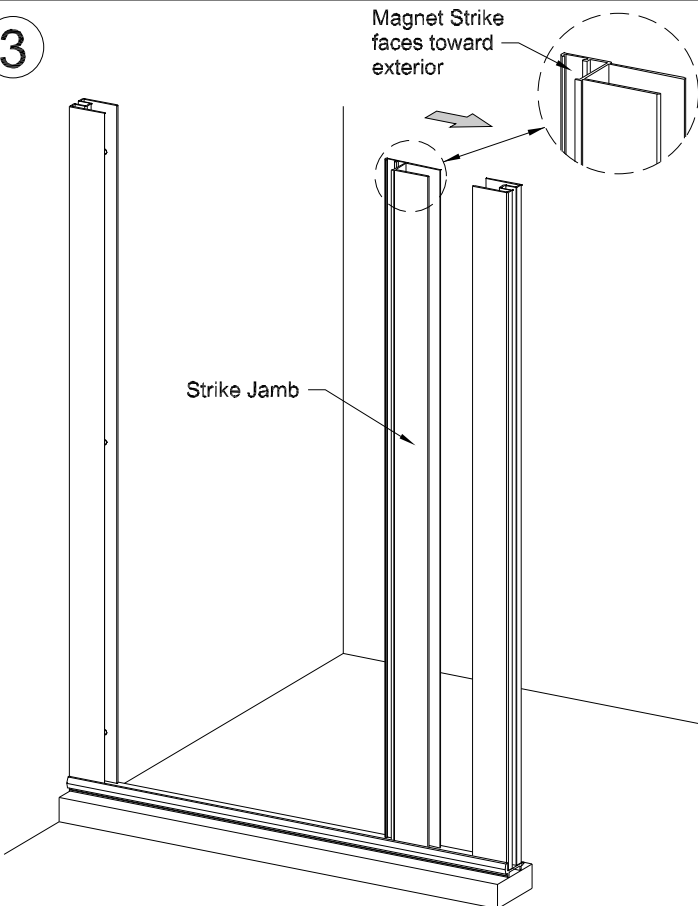
Measure opening width and trim sill to 1/16" less than measurement obtained. Caulk underside of sill and position it on center of curb. Insure that sill lip faces toward outside of enclosure.

2



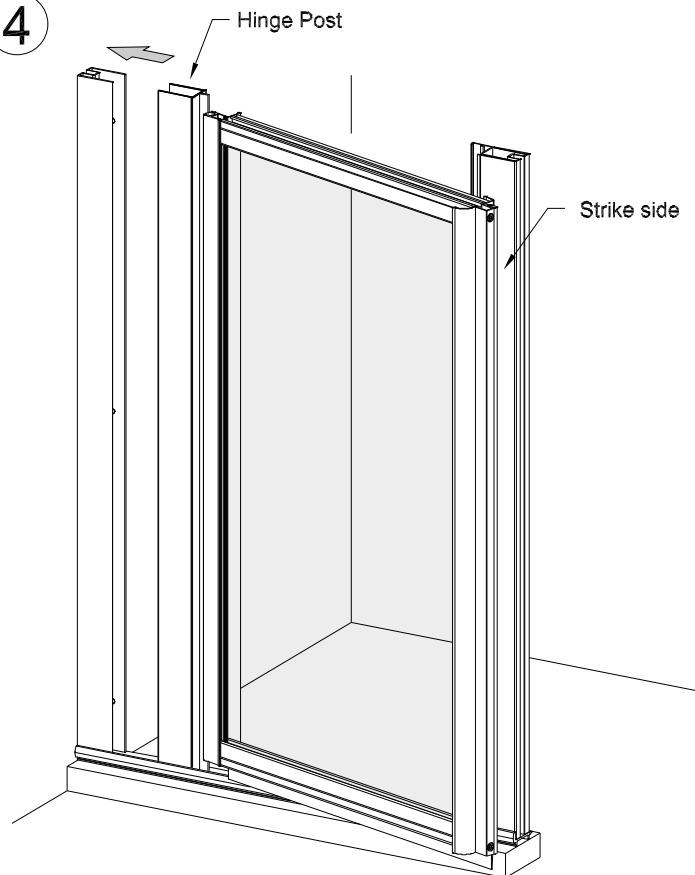
Position Jamb on sill, mark and drill 3/16" installation holes on walls. Insert Screw Anchors into holes and secure Wall Jamb to walls with 1-1/2" Installation Screws Provided. Note that adjustment holes are toward interior.

3

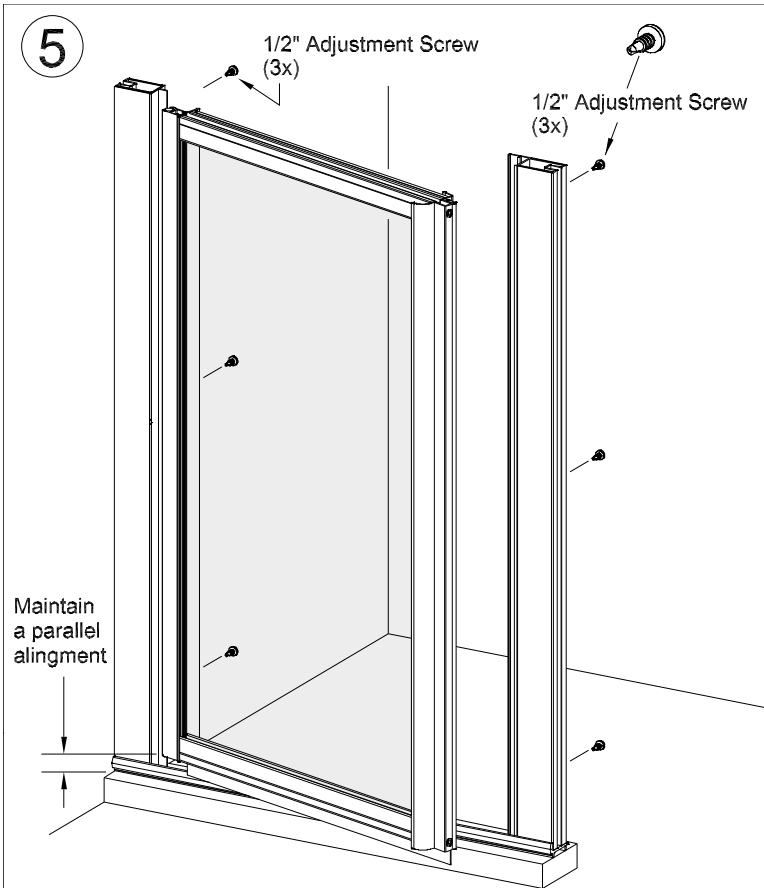


Decide which side you want your Door to strike and slide Strike Jamb into appropriate Wall Jamb (detail above shows unit will strike on right side).

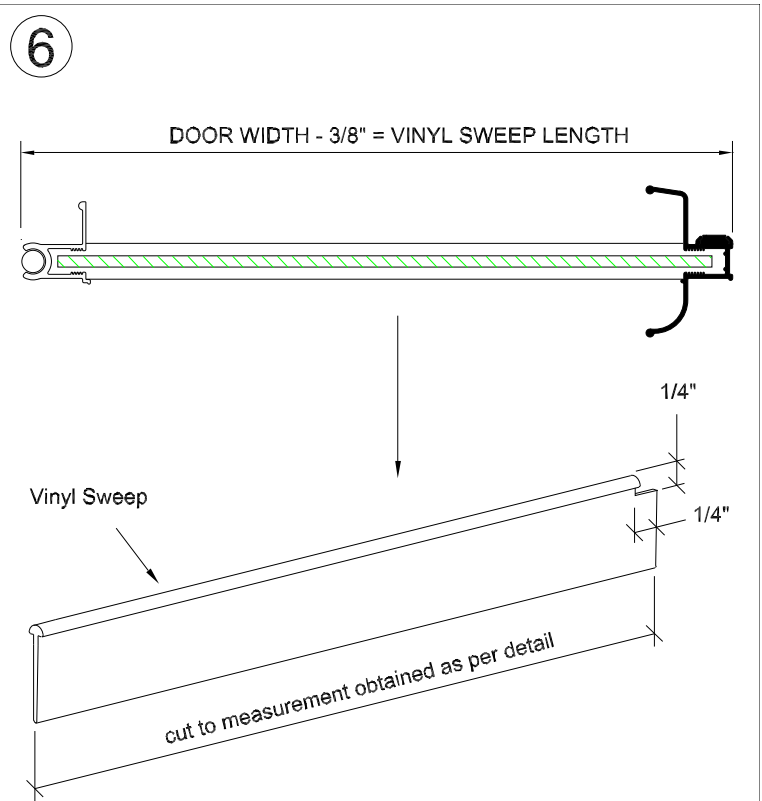
4



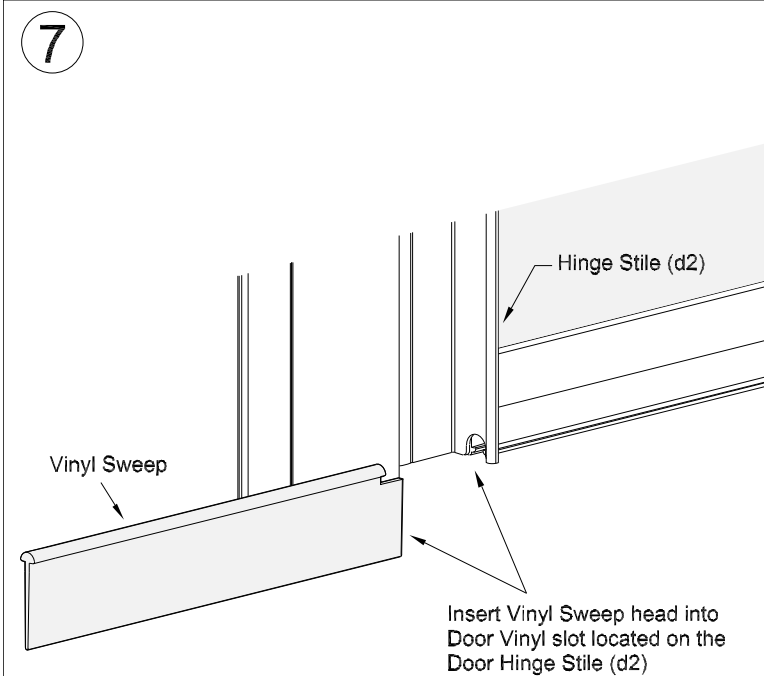
Decide which side you want your Door to swing from then slide Hinge Post into appropriate Wall Jamb (detail above shows unit striking on right side).



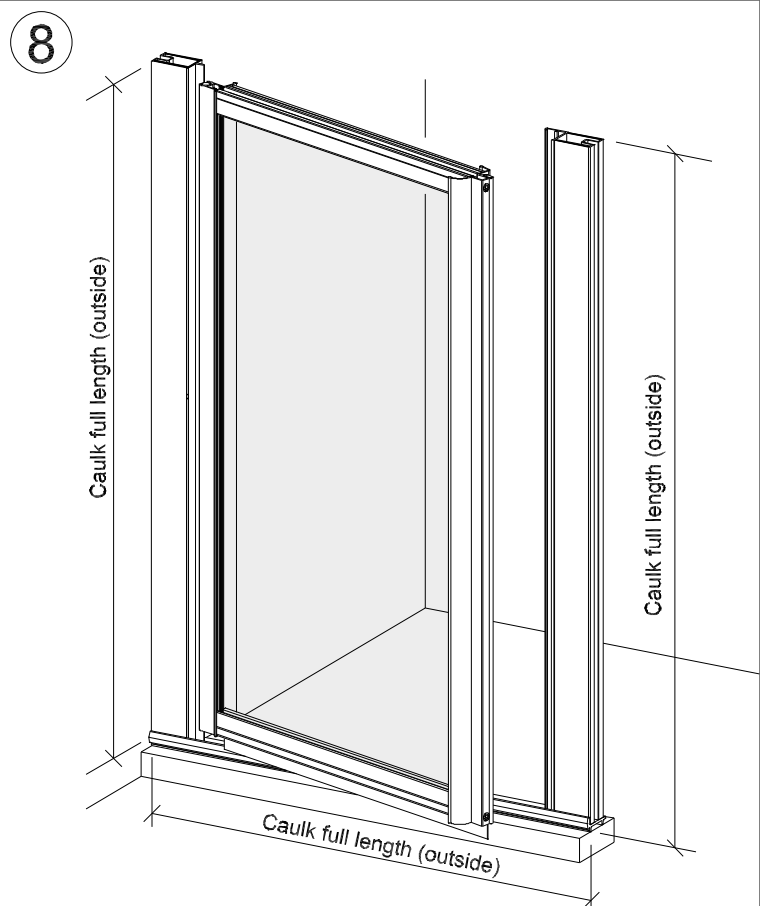
Close door and let magnets on Door and Strike Post meet. Adjust unit as required making sure a parallel alignment is maintained between bottom of Door Assembly and Sill. When satisfied with alignment, secure Door Assembly and Strike Post to Wall Jamb.



Measure Door width as shown and trim Vinyl Sweep to 3/8" less than measurement obtained. Notch one end of Vinyl Sweep one quarter inch (approximate) as shown.



Insert Vinyl Sweep into Door Vinyl Slot as shown. Slot is located on hinge side of the Door Assembly.



Finally, caulk outside where unit meets the curb and where unit meets the shower walls as shown. Follow caulking manufacturer's instructions before using shower.