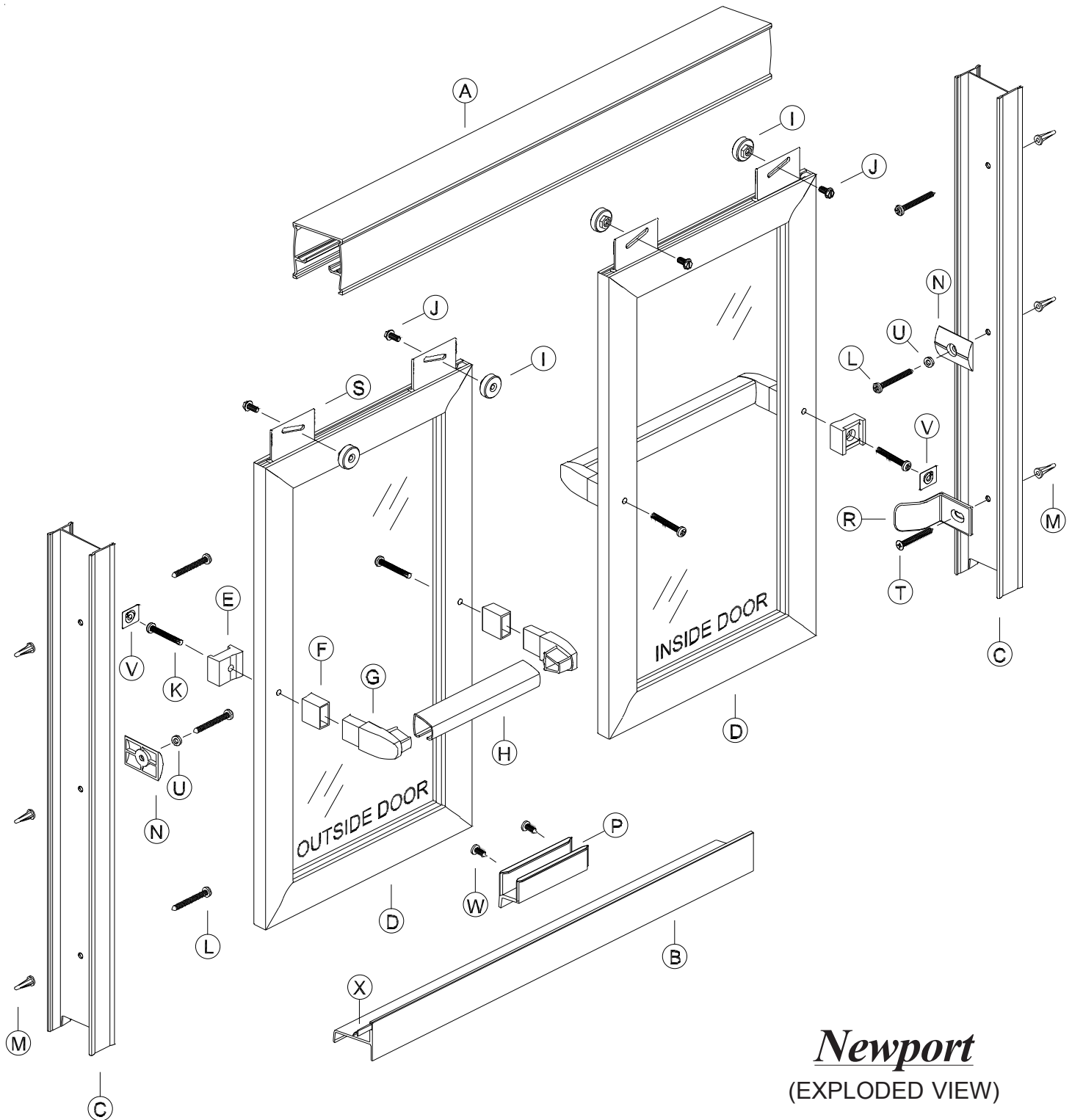


Newport INSTALLATION INSTRUCTIONS



Newport
(EXPLODED VIEW)

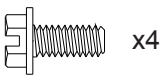
PARTS LIST

<u>KEY</u> <u>LETTER</u>	<u>PART</u> <u>NUMBER</u>	<u>DESCRIPTION</u>	<u>QUANTITY</u>
A	600	HEADER	1
B	602	SILL	1
C	601	WALL JAMB	2
D	---	DOOR PANEL ASSEMBLY	2
E	8156	FINGER PULL, TOWEL BAR	2
F	8155B	SLEEVE, TOWEL BAR BRKT	4
G	8154	TOWEL BAR BRACKETS	4
H	69	TOWEL BAR	2
I	PN193	ROLLER	4
J	832HEX	ROLLER SCREWS	4
K	832114	TOWEL BAR SCREW	4
L	8112	INSTALLATION SCREWS	5
M	1329	PLASTIC SCREW ANCHOR	6
N	5169	BUMPER	2
P	CP606B	TRACK GUIDE	1
R	CP110	JAMB GUIDE	1
S	38	HANGER BRACKET (INSTALLED)	4
T	82F	JAMB GUIDE SCREW	1
U	CP104TW	BUMPER WASHER	2
V	8157	CI LOGO (STICKER)	2
W	638PHPT	6x38" SELF DRILLING SCREW	2
X	C494B	SILL SEAL VINYL	1

TOOLS NEEDED

HACKSAW	STANDARD SCREW DRIVER OR 1/4" WRENCH
ELECTRIC DRILL	LEVEL
3/16" MASONRY OR CERAMIC DRILL BIT	HAMMER
PENCIL / FELT TIP PEN	CENTER PUNCH
SAFETY GLASSES	PHILLIPS SCREW DRIVER
MEASURING TAPE	CLEAR CAULKING OR SEALANT (MILDEW RESISTANT)
MASKING TAPE	

Unit Installation Screws (shown full size for reference)



x4

(J)_832HEX ROLLER SCREW



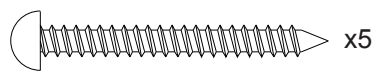
x2

(W)_638PHT TRACK GUIDE SCREW



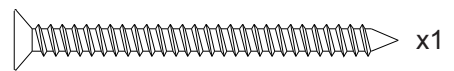
x4

(K)_832114 TOWEL BAR SCREW



x5

(L)_8112 INSTALLATION SCREW



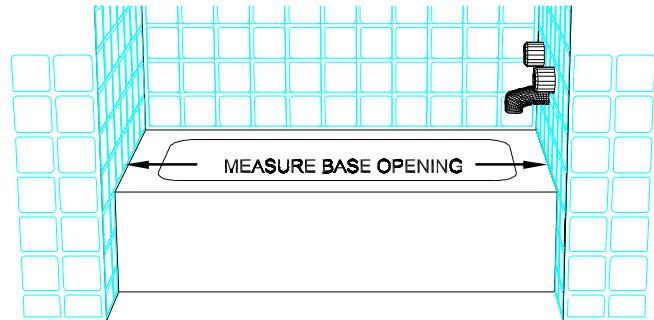
x1

(T)_82F JAMB GUIDE SCREW

BEFORE STARTING

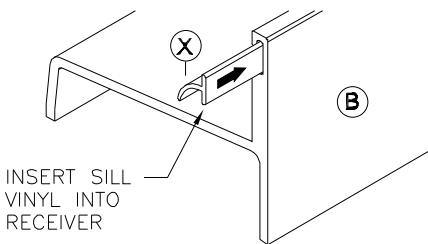
Before starting unit installation, Please check the box contents against **parts list**.

STEP 1 Measure base opening & cut Sill



Measure base opening along center of shower curb as shown in figure 1, then trim Sill (B) to 1/16" less measurement obtained.

STEP 2 Trim and Insert Vinyl Seal into Sill

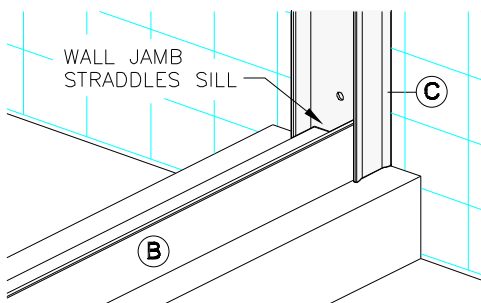


Trim Vinyl Seal (X) 1-1/8" less than base opening. Slide Vinyl Seal into Sill's receiver as shown in figure 2 and center it on the Sill.

STEP 3 Position Sill and Wall Jamb

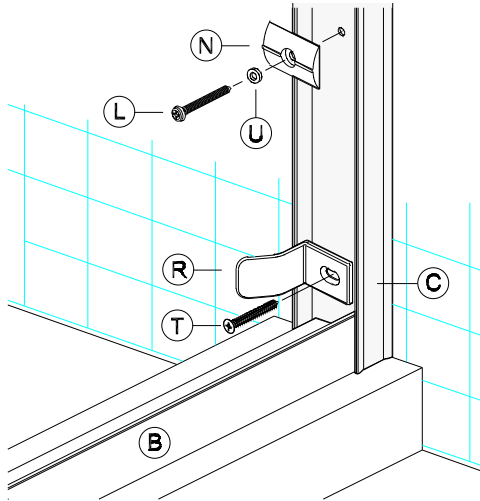
With high lip toward exterior of enclosure, position Sill at center of shower curb. Temporarily tape Sill to shower curb to prevent movement.

Place Wall Jamb (C) on to ends of Sill (B) and up against shower walls as shown in figure 3. Push notched Wall Jamb down over Sill, making sure Jamb is securely seated onto Sill.



Plumb Wall Jamb then pencil mark their installation hole locations on the shower walls (3 per jamb). Remove Wall Jamb. Using a 3/16" drill bit, drill 1" deep installation holes in locations previously marked. Insert Plastic Screw Anchors (M) into holes.

STEP 4 Secure Wall Jamb



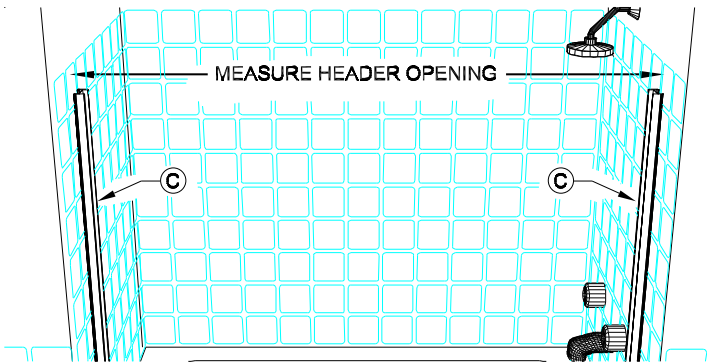
Reposition Wall Jamb.

On center of the Wall Jamb (C) install Jamb Bumper (N) using #8 1-1/2 (L) screw and Washer (K).

Use the **#8 x 2" Flat Head Screw (T)**, secure Jamb Guide (R) to bottom installation hole of the Wall Jamb that is attached to the shower head wall.

Install the other three (3) installation screws for remaining locations.

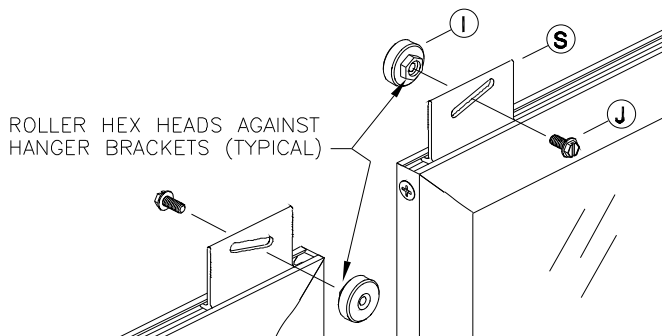
STEP 5 Measure Header opening & cut Header



Measure the wall to wall opening at top of Wall Jamb (C) and cut Header (A) to 1/16" less than the measurement obtained.

Position Header (A) on top of Wall Jamb (C) and leave it there as we make preparations for panel installation.

STEP 6 Roller installation



Panels normally come with rollers pre-installed.

For installation:

Using the exploded view as a guide, attach Rollers (I) to Hanger Brackets (S) using an #832 hex head screw (J).

Note: protruding hex head on roller should always face toward hanger bracket as shown.

STEP 7 Door Panel Installation

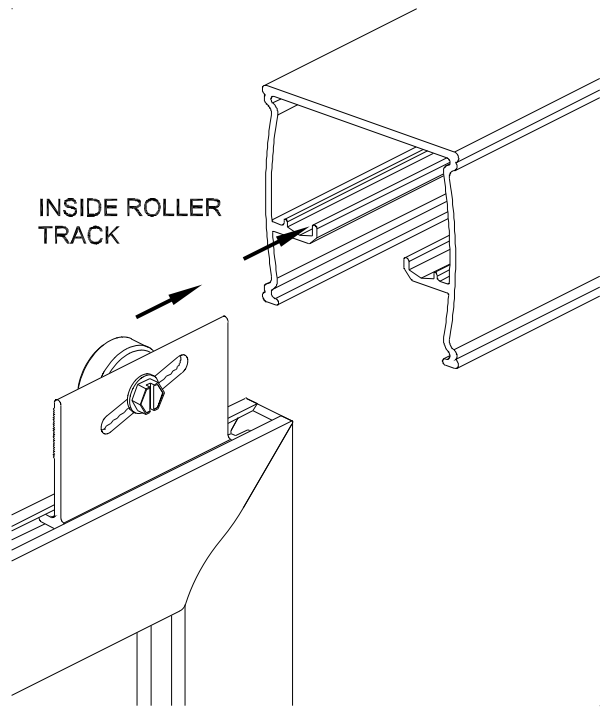


FIGURE 7A
INSIDE PANEL INSTALLATION

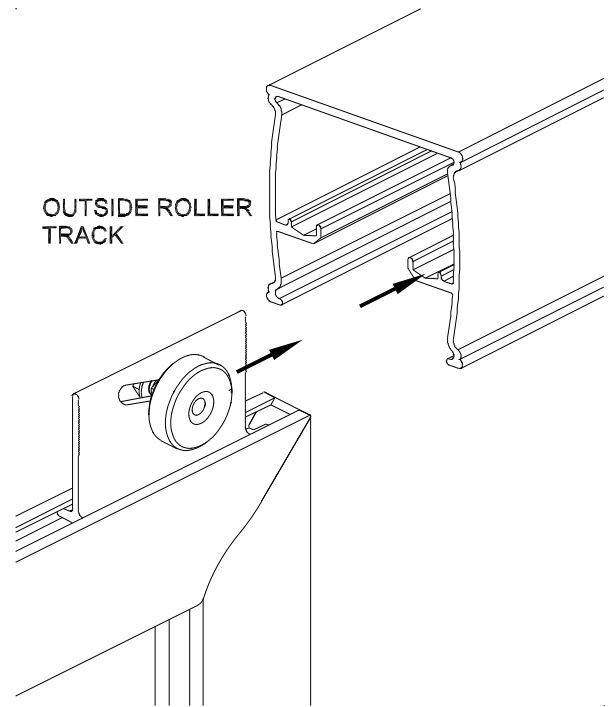


FIGURE 7B
OUTSIDE PANEL INSTALLATION

Place inside Door Panel into the shower enclosure and stand it with the Rollers facing towards the wall. Install outside Door Panel first. Install inside and outside Panels as shown in figure 7A and 7B. Panels must be vertical. If Door position is not vertical (figure 7C) remove the panel, adjust the Roller up or down as required as shown in figure 7D. Re-install Panel and check for alignment. Repeat if necessary.

Note: If Panels are using Aqua Glass (pattern glass), face the "**smooth**" side toward inside of enclosure.

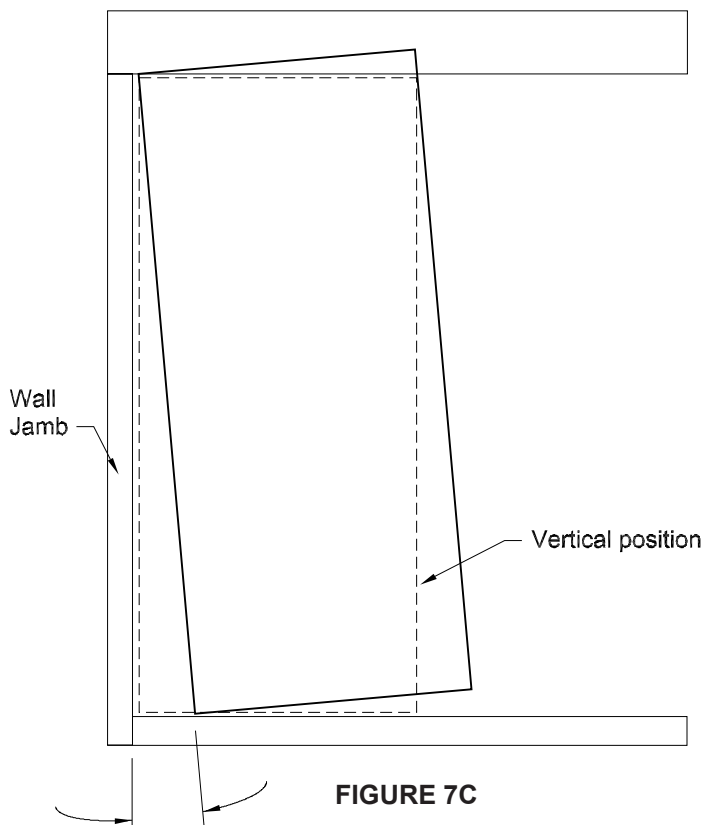


FIGURE 7C

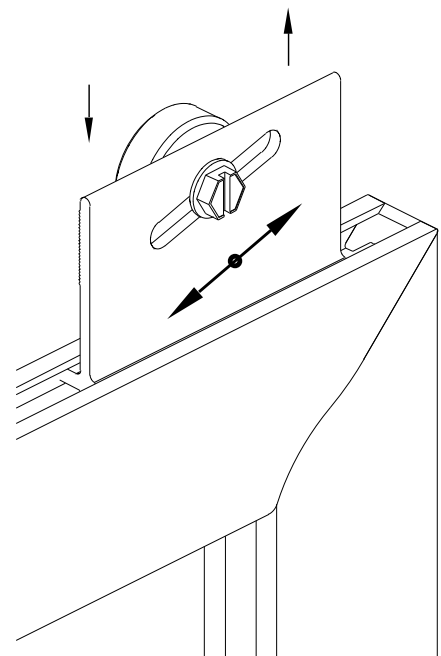
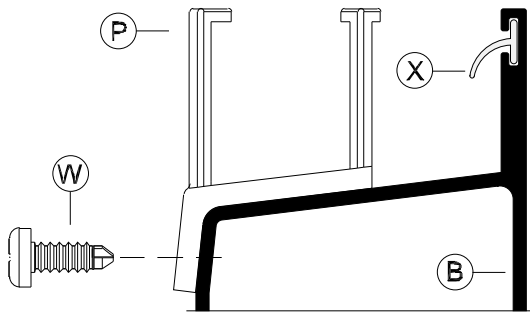


FIGURE 7D
adjustment directions

STEP 8 Screw on Track Guide



To insure proper operation, Track Guide (P) must be centered along Sill (B) length when installed.

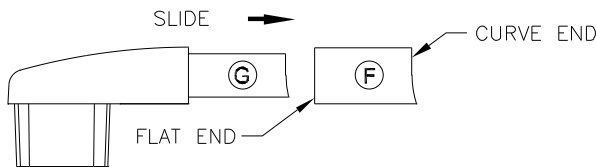
Open shower Door Panels so that both Door Panels are up against the same Wall Jamb.

Locate center of Sill length and position the Track Guide on Sill (sliding it under the panels and centering it).

Using holes on Track Guide as templates, secure Guide to Sill using two 638phpt Self Drilling Screws (W) as shown in figure above.

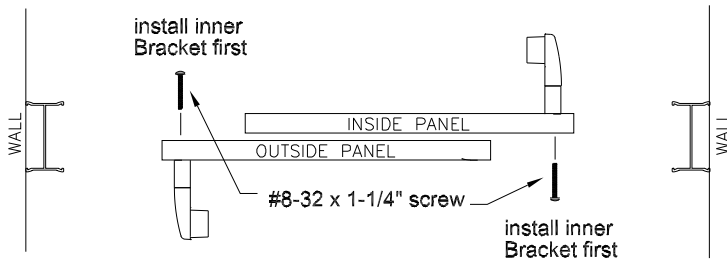
When finished, closed Door Panels as before (inside panel toward shower head wall, outside panel against opposite wall).

STEP 9 Towel Bar Installation



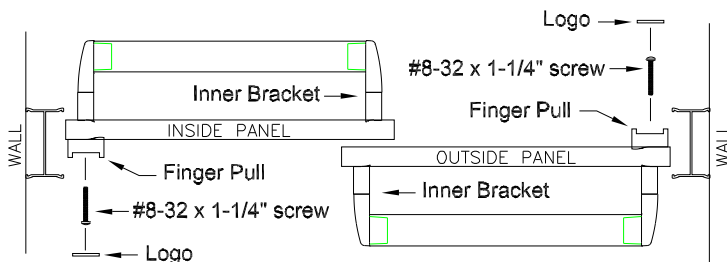
Slide Bracket (G) on each end of Sleeve (F).

FIGURE 9A



Open Door Panels and install inner Bracket using #8-32 x 1-1/4" Towel Bar Screw (K) as shown in figure 9B.

FIGURE 9B



Close Door Panels and install Finger Pull (E) on the other side of Towel Bar as shown in figure 9C.

Apply Logo Sticker (V) to cover the screw head on the Finger Pull (E)

FIGURE 9C

STEP 10 Leak Proof Installation

To insure a leak proof installation . . . Run a bead of clear mildew resistant caulking down the full length of each Wall Jamb, **outside** where the Wall Jambs meet the walls. Now run a bead inside where the Wall Jamb straddles the Sill. Follow caulking manufacturer's instructions before using shower. Installation is now complete.