

10844

CLOSETMAID[®]

Wall Cabinet

INSTALLATION INSTRUCTIONS

SAFETY PRECAUTIONS

BEFORE BEGINNING

- Please read all instructions carefully.
- Familiarize yourself with all parts (see “PARTS”) and check quantities.
- Follow all safety precautions (see “SAFETY PRECAUTIONS”).

WARNING

- **CHOKING HAZARD FOR SMALL CHILDREN.** This unit contains small parts which could be a choking hazard for small children. Children should be under adult supervision at all times or serious injury could occur.
- **ALWAYS UNLOAD UNIT PRIOR TO MOVING THE UNIT.** The weight of personal belongings can cause the unit to become unstable and either tip or collapse. Serious bodily injury and/or damage to personal belongings may occur.
- **DO NOT OVERLOAD UNIT.** If any shelf, top, or bottom of unit bows or bends, it is overloaded. The shelf, top, or bottom could collapse and cause serious bodily injury and/or damage to personal belongings. Evenly distribute loads.
- **DO NOT MOUNT OR ATTACH ANYTHING TO THE SIDES, REAR, OR FRONT OF THE UNIT** as this can create a force which can cause the unit to tip. Serious bodily injury and/or damage to personal belongings may occur.
- **DO NOT CLIMB OR STEP ON THE UNIT.** The unit may become unstable and either tip or collapse. Serious bodily injury and/or damage to personal belongings may occur.
- **DO NOT USE THIS UNIT AS A TELEVISION STAND.** Serious bodily injury and/or damage to personal belongings may occur.
- **DO NOT STACK UNITS.** Stacking of units can cause an unsafe tip-over hazard which may cause serious bodily injury and/or damage to personal belongings.
- **FOLLOW PROPER SAFETY PROCEDURES WHEN USING POWER TOOLS AND LADDERS.**
- **PROTECT YOUR WORK SURFACE DURING ASSEMBLY.** This can prevent scratching or damage to table tops, wood floors, etc.
- **UNIT DOES NOT PROVIDE PROTECTION AGAINST ELECTRICAL SHOCK.**



FOLLOW INSTRUCTIONS CAREFULLY

Please do not return product to the retail store. For product assistance and warranty information please call Consumer Affairs at 1-800-874-0008.

Manufacturer Warranty

Manufacturer will replace any missing or damaged part due to manufacturer defect for one year after purchase. Please have proof of purchase for warranty claims.

- Do not let any sharp objects touch or rub the surface of the product.
- When assembling, do not let children play around the working area.
- Please confirm all parts are correct before starting the assembly process.
- **DO NOT OVERTIGHTEN. USE CAUTION IF USING POWER TOOLS DIRECTLY ON UNIT.** Power tools can overtighten screws and strip threads.

We recommend you hand-tighten screws. Please note location of predrilled holes.

PARTS

Call 1-800-874-0008 for parts and service. For faster service, have the style number ready when calling.

TOOLS REQUIRED

#2 and #3 Phillips
Screwdrivers



7/16 in. and 1/2 in.
Wrenches



Level



Drill



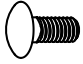


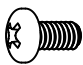







5/16 in. Masonry
Drill Bit



Hammer



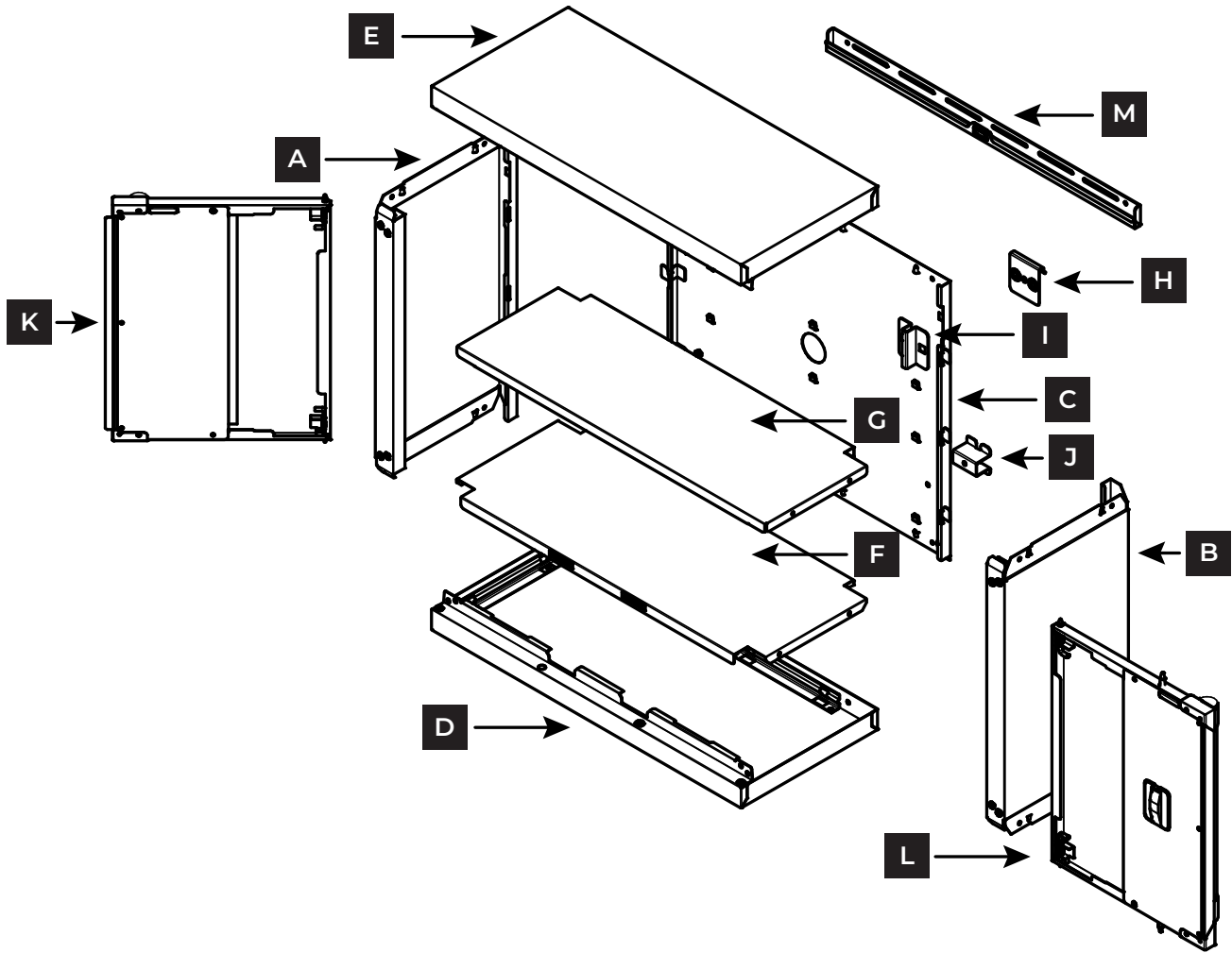
HARDWARE PROVIDED

	Name	Qty.
AA	5/16-18 x 3/4 in. Carriage Bolt 	4
BB	5/16-18 x 3/4 in. Flange Nut 	4
CC	5/16 in. Washer 	4
DD	1/4-20 x 1/2 in. Machine Screw 	2
EE	1/4-20 in. Hex Nut 	2
FF	Electrical Bushing 	1
GG	ST5 x 12 mm. Bolt 	10 + 2
HH	Concrete Anchor 	4
II	ST4.8 x 57 mm. Pan Head Tapping Screw 	4
JJ	M5 Washer 	4
KK	Door Key 	2

PARTS

Call 1-800-874-0008 for parts and service. For faster service, have the style number ready when calling.

PRODUCT



Name	Qty	Part #	Name	Qty	Part #
A Left Side Panel	1	35872	H Exterior Cabinet Bracket	2	20614
B Right Side Panel	1	35873	I Interior Cabinet Bracket	2	20614
C Back Panel	1	35874	J Cabinet Spacer	2	20614
D Bottom Panel	1	35871	K Left Door	1	35862
E Top Panel	1	35870	L Right Door	1	35863
F Bottom Shelf	1	35875	M Hang Track	1	35879
G Inner Shelf	1	35876			

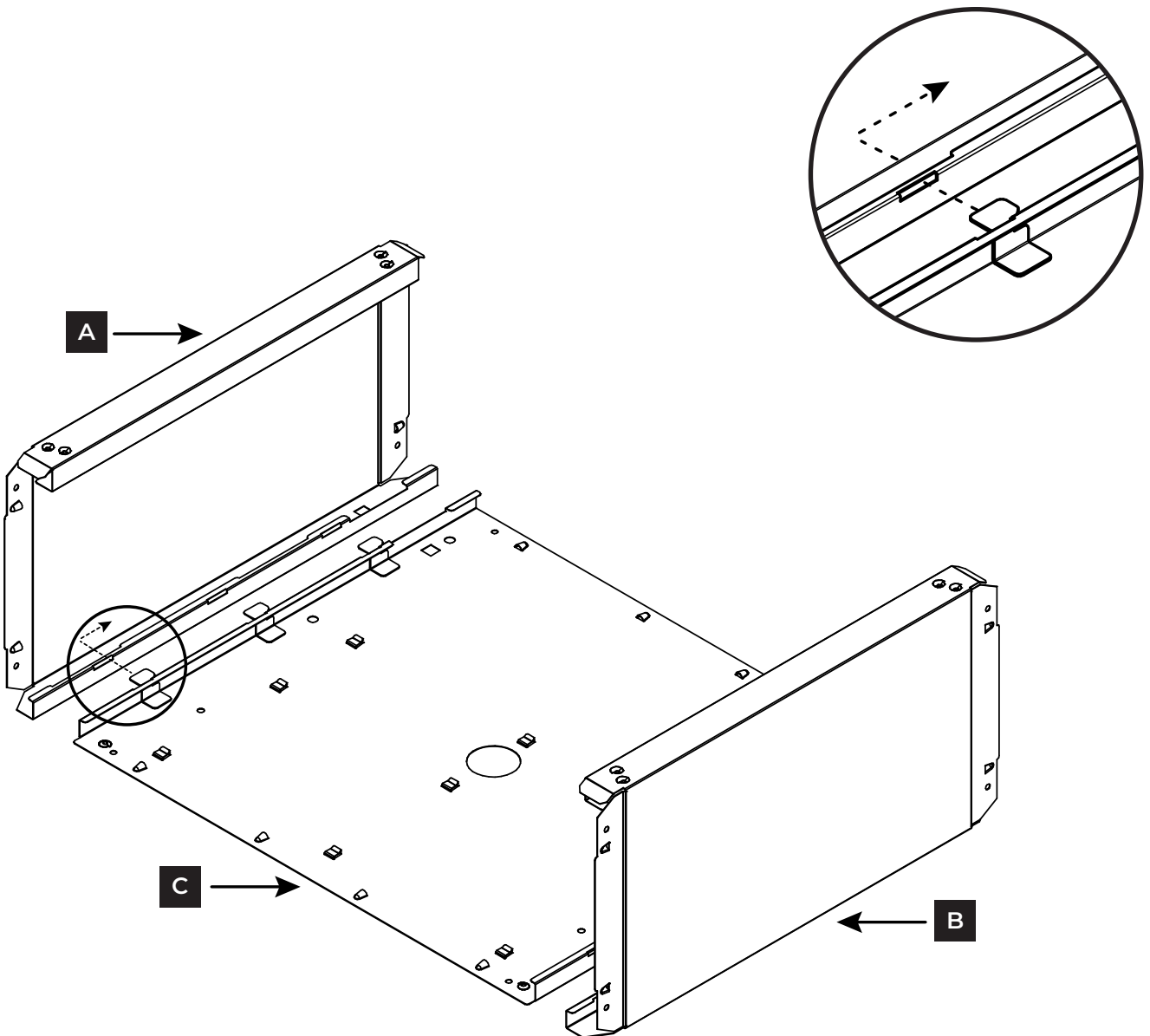
*Please note location of predrilled holes on each part.

STEP 1

Attach side panels to back panel.

Align both side panels (A & B) with the back panel (C) as shown.

Slide the metal tabs on the back panel (C) into the matching slots on the side panels (A & B). Pull the side panels down to secure the tabs in place.



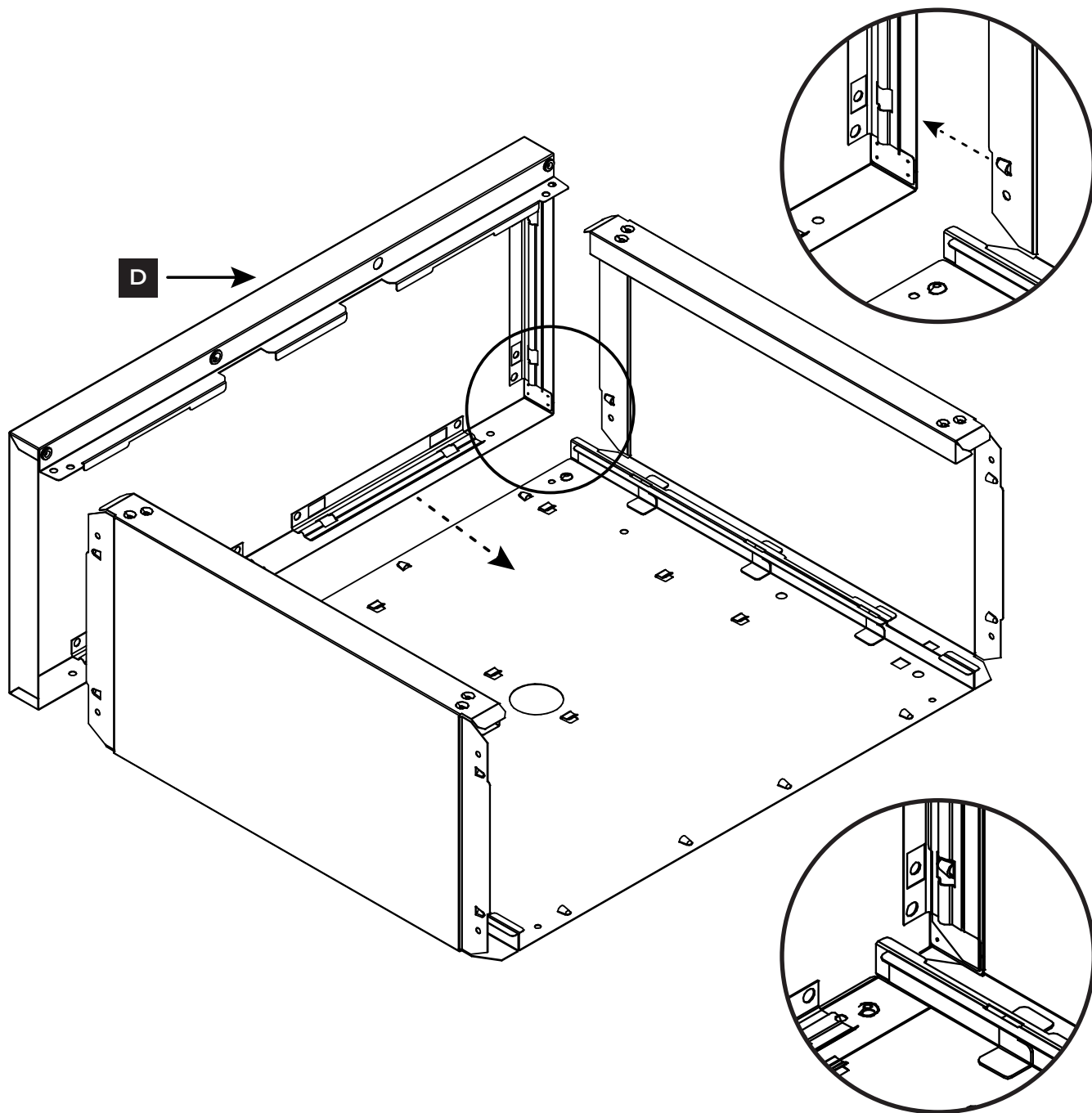
**Please note location of predrilled holes on each part.*

STEP 2

Attach bottom panel.

Align bottom panel (D) with the bottom of the unit as shown.

Push in to secure into place. Make sure that all the triangular tabs on the back and side panels completely snap into place in the square holes on the bottom panel.



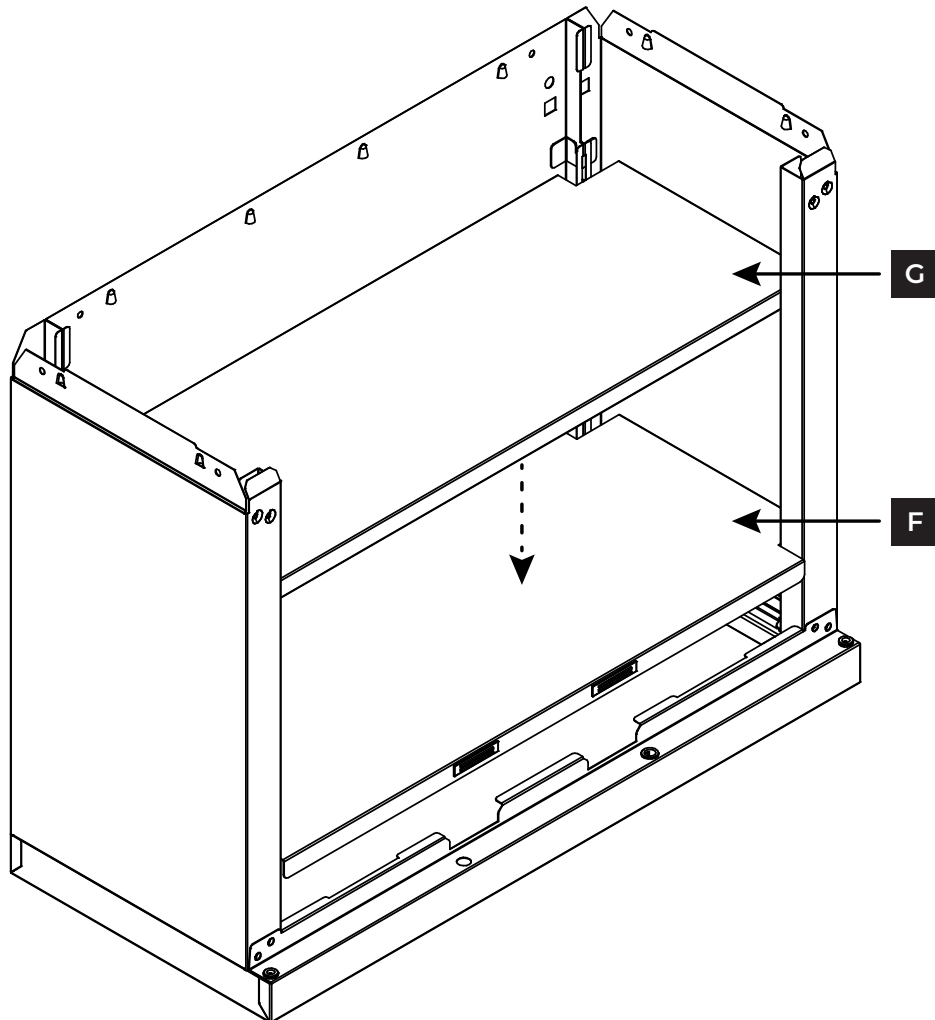
**Please note location of predrilled holes on each part.*

STEP 3

Attach shelves.

Place the bottom shelf (F) inside the unit at the bottom. Push down to secure into place, making sure all metal tabs are connected. Please note that the bottom shelf is larger than the inner shelf and will rest on the lowest three metal tabs on the back panel.

Determine where you want to position the inner shelf (G). Place inner shelf above the tabs on back panel and push down to secure, making sure all metal tabs are connected.



**Please note location of predrilled holes on each part.*

STEP 4

Attach brackets, spacers, and electrical bushing.

Align the exterior brackets (H) and interior brackets (I) with the upper square holes on the back panel. Use a 1/2 in. wrench to secure the brackets through the holes using two 5/16-18 x 3/4 in. carriage bolts (AA), two 5/16-18 x 3/4 in. flange nuts (BB), and two 5/16 in. washers (CC) per side as shown. *Please make sure the curved edge of the exterior bracket is on top when attached.*

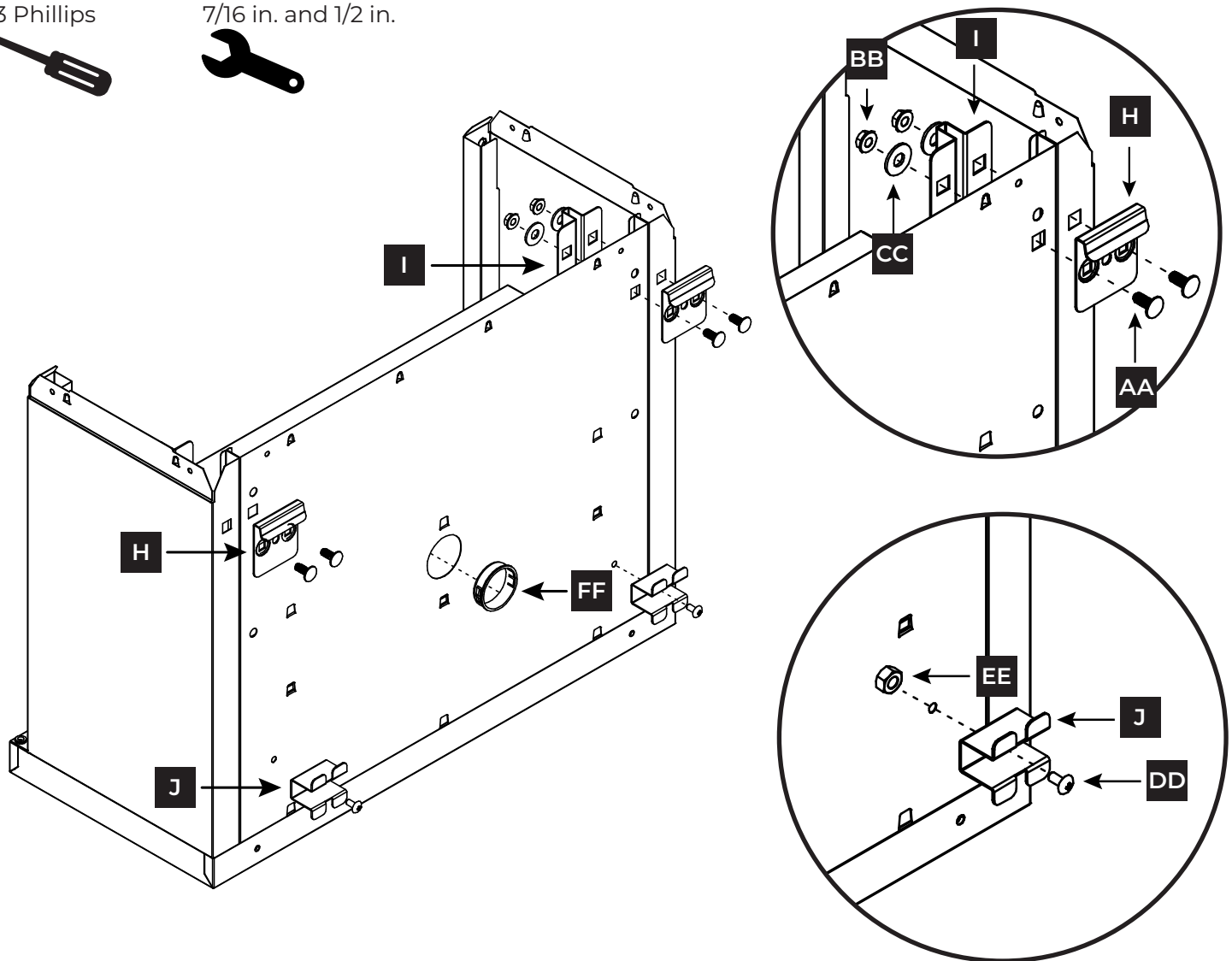
Align the cabinet spacers (J) with the lower holes on the back panel. Use a #3 Phillips screwdriver and 7/16 in. wrench to secure the spacers to the unit using one 1/4-20 x 1/2 in. machine screw (DD) and one 1/4-20 in. hex nut (EE) per side as shown.

Align the electrical bushing (FF) with the large circle on the back of the unit. Push in to secure.



#3 Phillips

7/16 in. and 1/2 in.



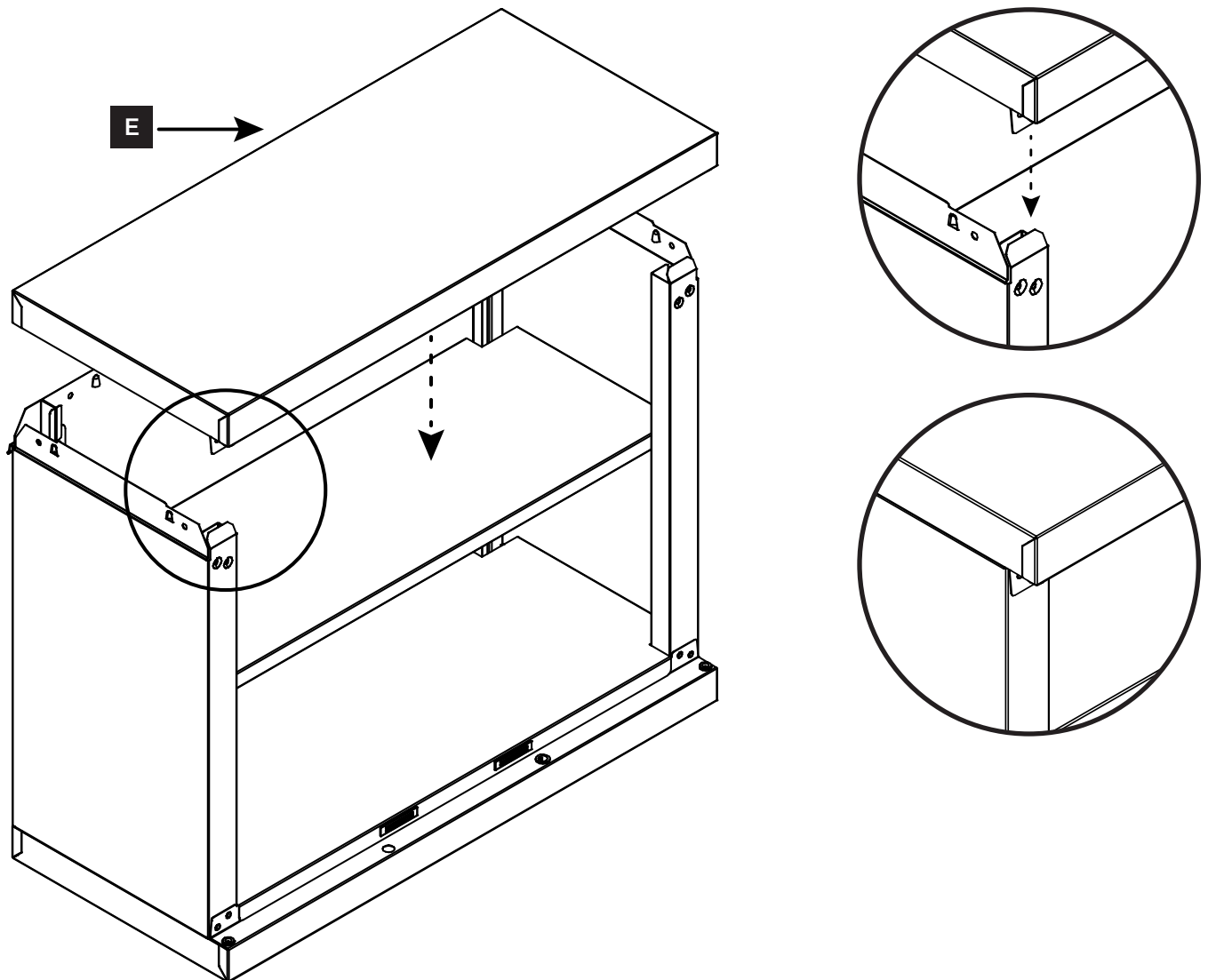
*Please note location of predrilled holes on each part.

STEP 5

Attach top panel.

Align top panel (E) with the top of the unit as shown.

Push in to secure into place. Make sure that all the triangular tabs on the back and side panels completely snap into place in the square holes on the top panel.

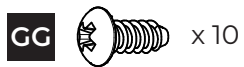


**Please note location of predrilled holes on each part.*

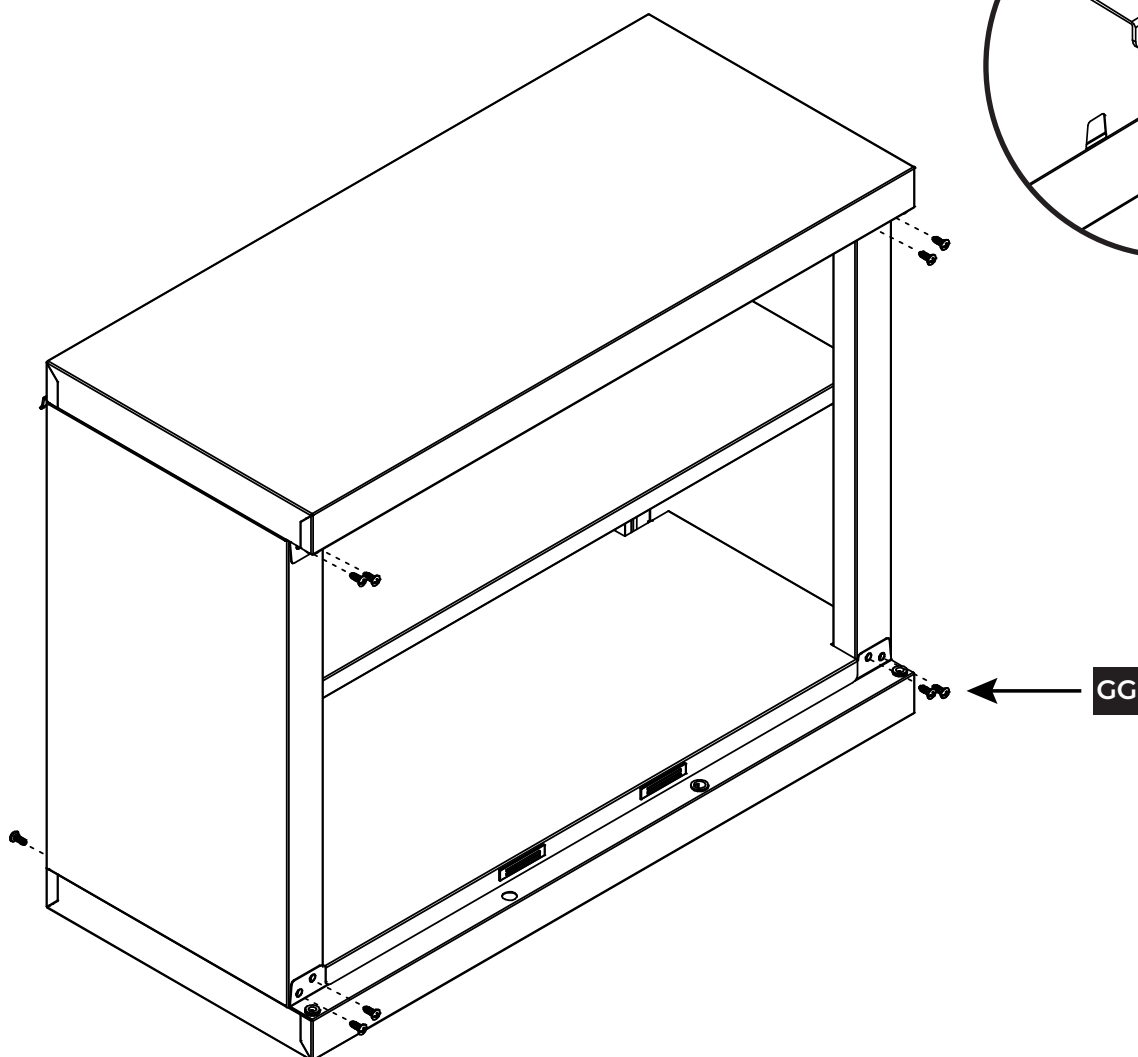
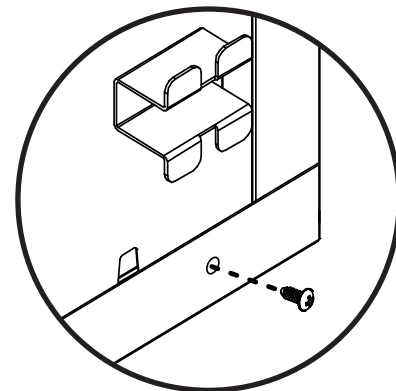
STEP 6

Secure top and bottom panels.

Use a #2 Phillips screwdriver to secure the top and bottom panels to the unit using eight ST5 x 12 mm. bolts (GG) on the front corners of the unit and two bolts on the back corners.



#2 Phillips



**Please note location of predrilled holes on each part.*

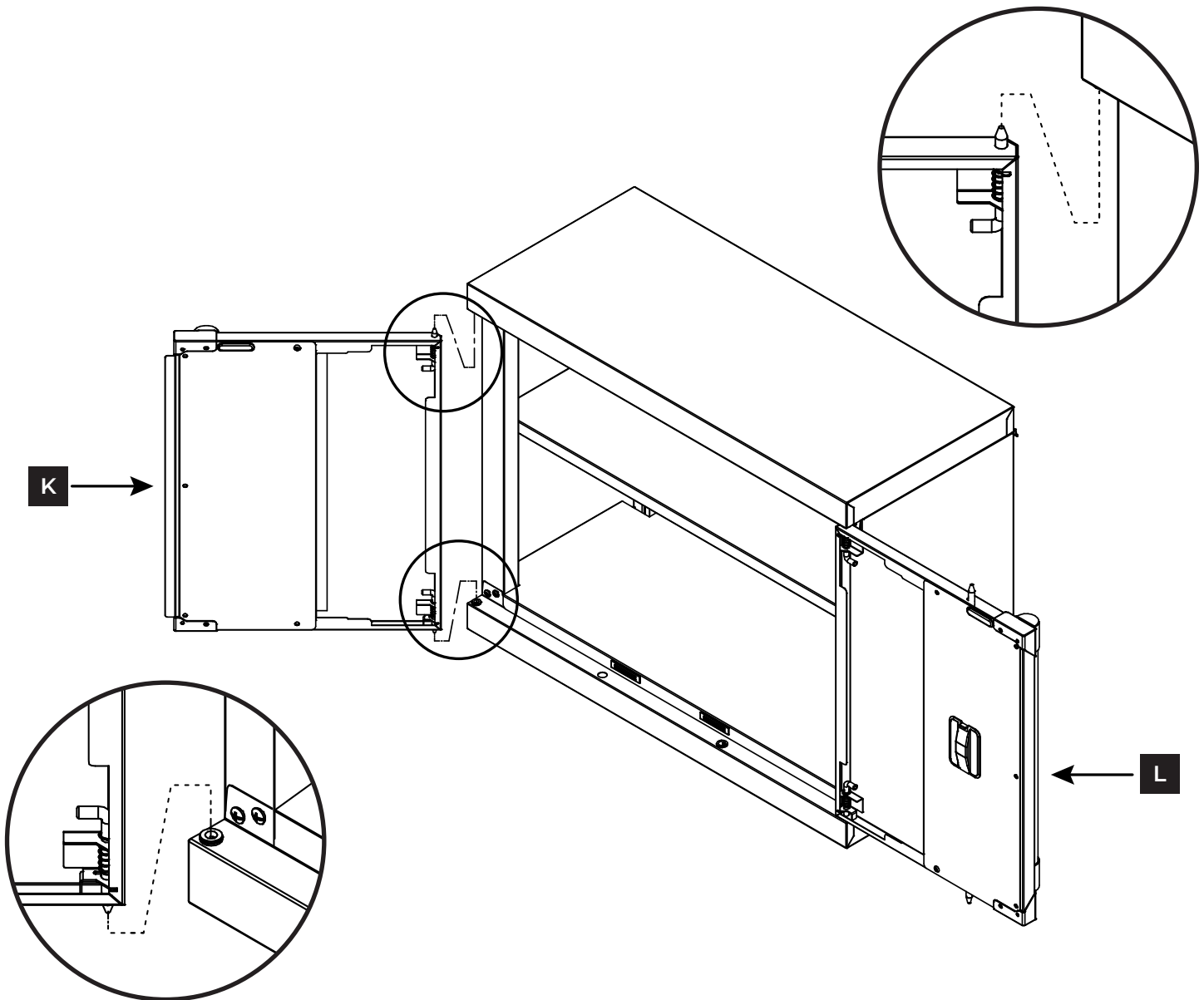
STEP 7

Attach doors.

Align the right door (L) with the right side of the unit. Place the bottom lock of the door in the hole on the bottom of the door frame. Pull the top lock down, align it with the hole on the top of the door frame, and push up to lock into place. Push the bottom lock down to completely secure the door. Make sure both locks are turned inward toward the door as shown below. *Please note that the right door has the slot for the key lock.*

Repeat steps for the left door (K) on the left side of the unit.

Double check that all locks are in position and secure.



**Please note location of predrilled holes on each part.*

STEP 8a

Attach to wall via concrete mounting.

Identify which installation works best for your space. Align the unit with the location on the wall where you plan to mount it. Ensure unit is level and use a pencil to mark the top two corners of the unit on the wall and set the unit aside. Measure 2-11/16 in. down from the corner marks and make two new marks. Place the bottom of the hang track (M) on top of the two new marks. Make sure hang track is level and mark both the round holes at each end and the second slots in from each end. Set hang track aside and carefully drill a 5/16 in. hole that is 2-1/2 in. deep at the four marked locations. Insert the four anchors (HH) in the wall and tap flush with a hammer. Place the hang track back on wall, make sure holes align with anchors, and use a #2 Phillips screwdriver to secure the four ST4.8 x 57 mm. pan head tapping screws (II) and four M5 washers (JJ) through the hang track into the anchors.

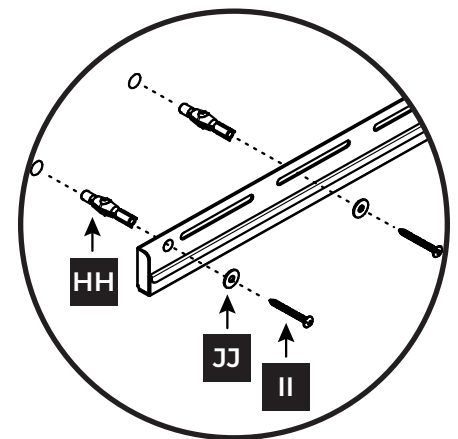
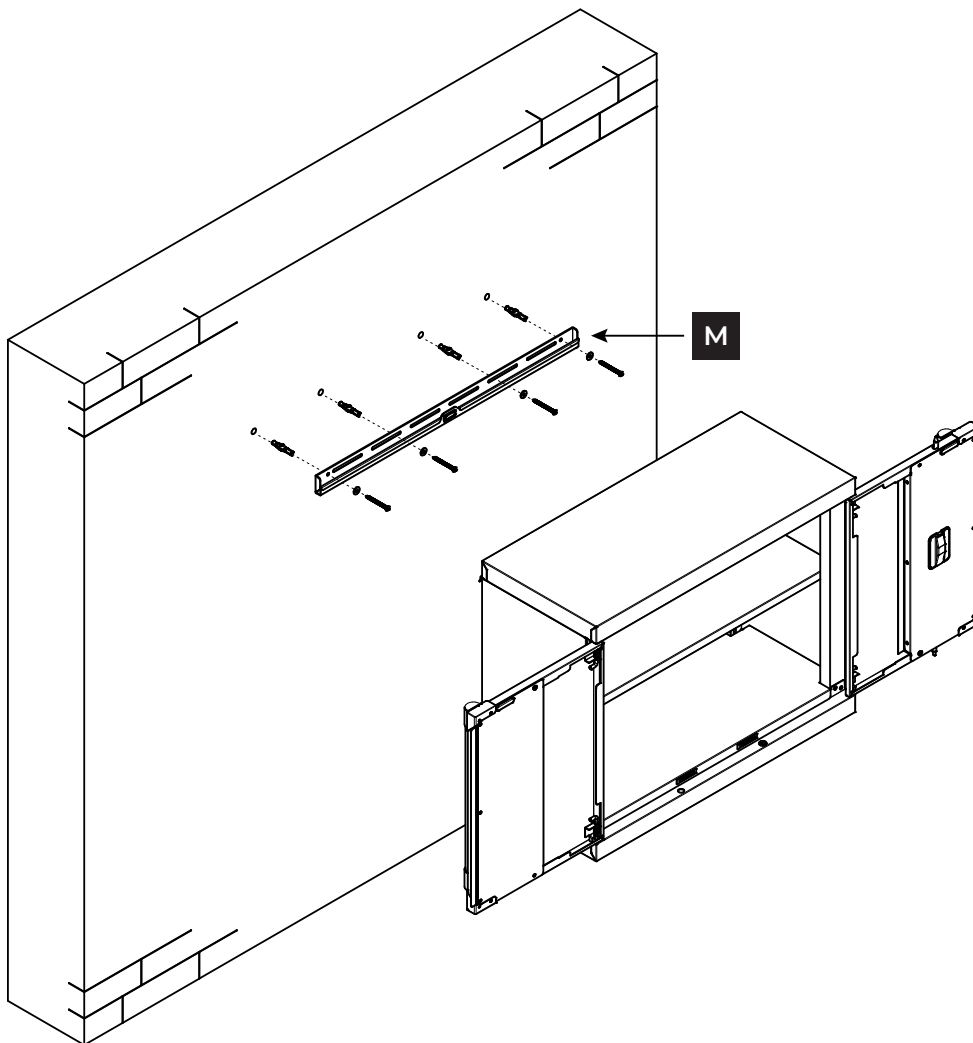
Hook the exterior brackets on the hang track, and tilt the unit back and then down to hang unit.



#2 Phillips



5/16 in. Masonry
Drill Bit



**Please note location of predrilled holes on each part.*

STEP 8b

Attach to wall via stud mounting.

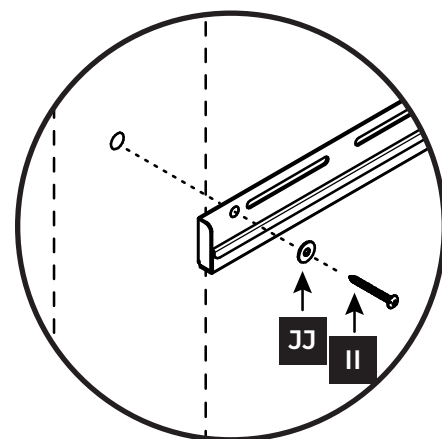
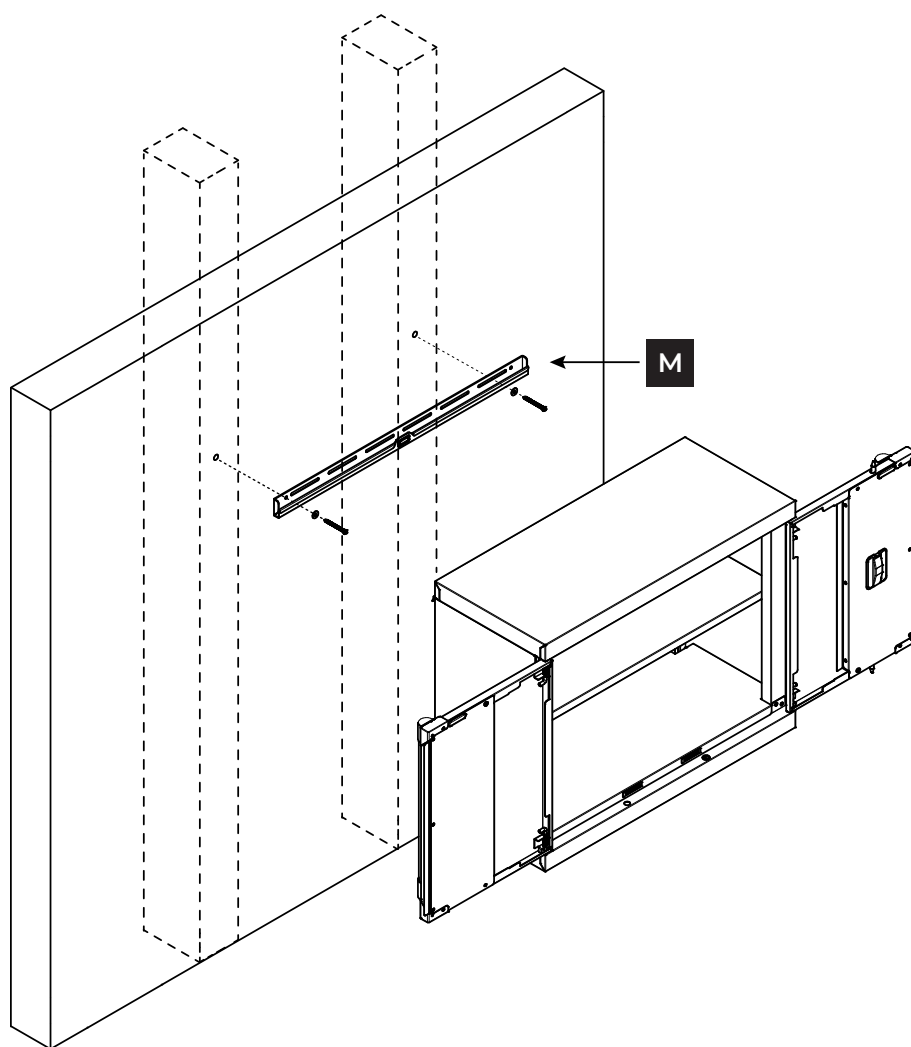
Locate studs and align the unit with the location on the wall where you plan to mount it. Ensure unit is level, use a pencil to mark the top two corners of the unit on the wall, and set the unit aside. Measure 2-11/16 in. down from the corner marks and make two new marks. Place the bottom of the hang track (M) on top of the two new marks. Make sure hang track is level and mark the two separate hole and/or slot locations on the hang track where you will hit studs. Use a #2 Phillips screwdriver to secure hang track to wall by attaching the two ST4.8 x 57 mm. pan head tapping screws (II) and two M5 washers (JJ) through the hang track into the studs.

NOTE: Both screws must hit studs for hang track to be completely secured to wall. Do not use more than two screws.

Hook the exterior brackets on the hang track, and tilt the unit back and then down to hang unit.



#2 Phillips



**Please note location of predrilled holes on each part.*