



2100 South Clearwater Drive
Des Plaines, IL 60018
Phone: 847-803-5000
Fax: 847-803-5454
www.chicagofaucets.com

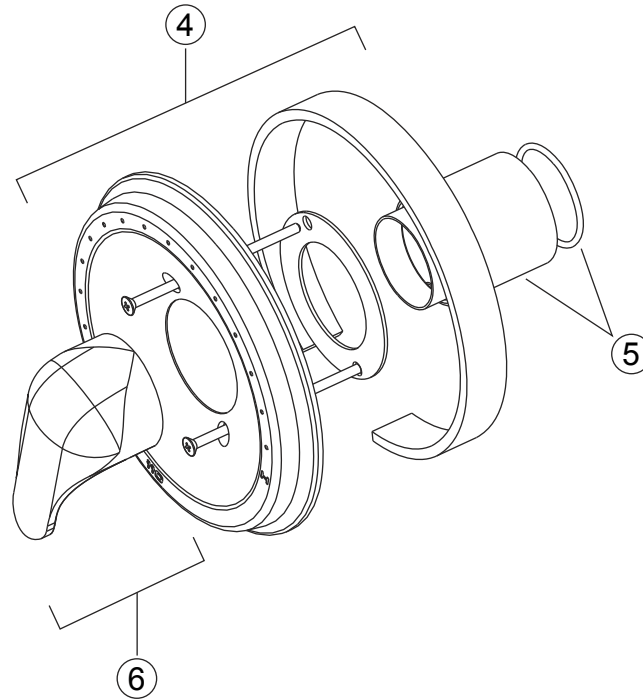
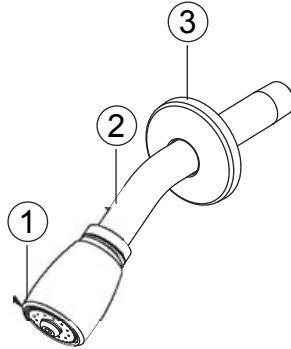
REPAIR PARTS

BY: PT DATE: 08-25-10
CHK: REV:

FITTING NO.
1907-TKCP
SUBMITTED MODEL NO.

ITEM NO.

FOR TECHNICAL ASSISTANCE
1-800-TEC-TRUE (1-800-832-8783)



NO.	PART NO.	DESCRIPTION
1	620-CP	FOR PARTS SEE 620 SHOWERHEAD
2	415-021JKCP	SHOWER ARM
3	749-016JKCP	WALL FLANGE
4	1905-007JKCP	FACEPLATE KIT
5	1905-009JKCP	SLEEVE KIT
6	1905-008JKCP	HANDLE KIT