

CHICAGO FAUCETS®

a Geberit company

2100 SOUTH CLEARWATER DRIVE
DES PLAINES, ILLINOIS 60018-5999

FITTING NO.

GN8BVBE7

SUBMITTED MODEL NO.

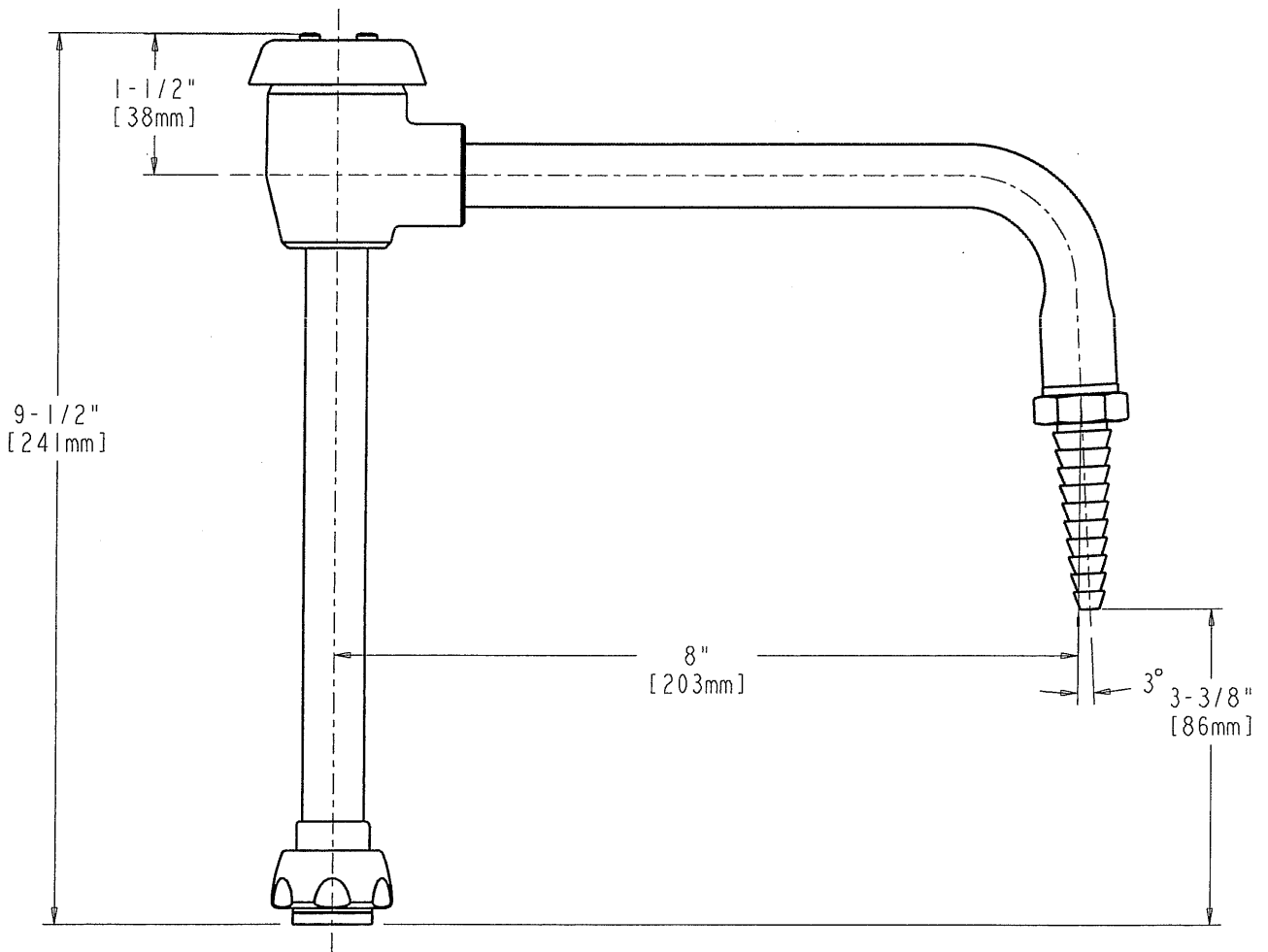
JOB NAME

ITEM NO.

SUBMITTED AS SHOWN

SUBMITTED AS NOTED

SEE ATTACHED FOR
SUBMITTED MODIFICATION



ROUGHING IN DIMENSIONS MAY VARY AND ARE SUBJECT TO CHANGE. NO RESPONSIBILITY IS ASSUMED FOR USE OF SUPERCEDED OR VOIDED DATA.

TECHNICAL DATA

- RIGID/SWING VACUUM BREAKER SPOUT
- E7 REMOVABLE LAB NOZZLE OUTLET
- FINISH: CHROME PLATE

DATE: 11-07-06

BY: SID

CHK'D:

APP'D: *[Signature]*

REV:

GN8BVBE7