



a Geberit company

2100 South Clearwater Drive
Des Plaines, IL 60018
Phone: 847-803-5000
Fax: 847-803-5454
www.chicagofaucets.com

REPAIR PARTS

BY: PT DATE: 08-25-10

CHK: REV:

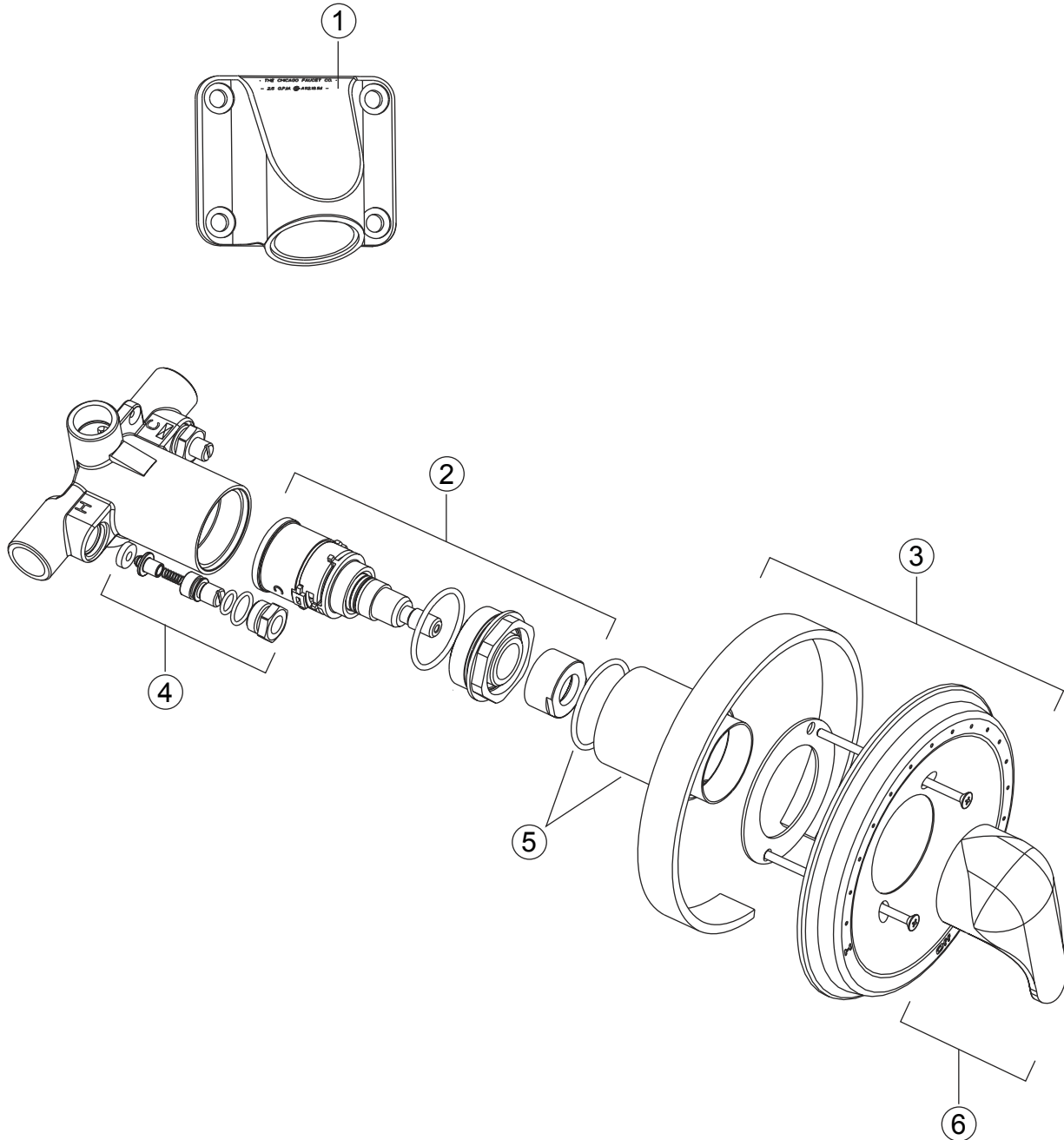
FITTING NO.

1907-621CP

SUBMITTED MODEL NO.

ITEM NO.

FOR TECHNICAL ASSISTANCE
1-800-TEC-TRUE (1-800-832-8783)



NO.	PART NO.	DESCRIPTION
1	621-CP	FOR PARTS SEE 621 SHOWERHEAD
2	1905-006KJKNF	CARTRIDGE KIT
3	1905-007JKCP	FACEPLATE KIT
4	1900-002JKNF	CHECK STOP REPAIR KIT
5	1905-009KJKCP	SLEEVE KIT
6	1905-008KJKCP	HANDLE KIT