



a Geberit company

2100 South Clearwater Drive
Des Plaines, IL 60018
Phone: 847-803-5000
Fax: 847-803-5454
www.chicagofaucets.com

FOR TECHNICAL ASSISTANCE
1-800-TEC-TRUE (1-800-832-8783)

REPAIR PARTS

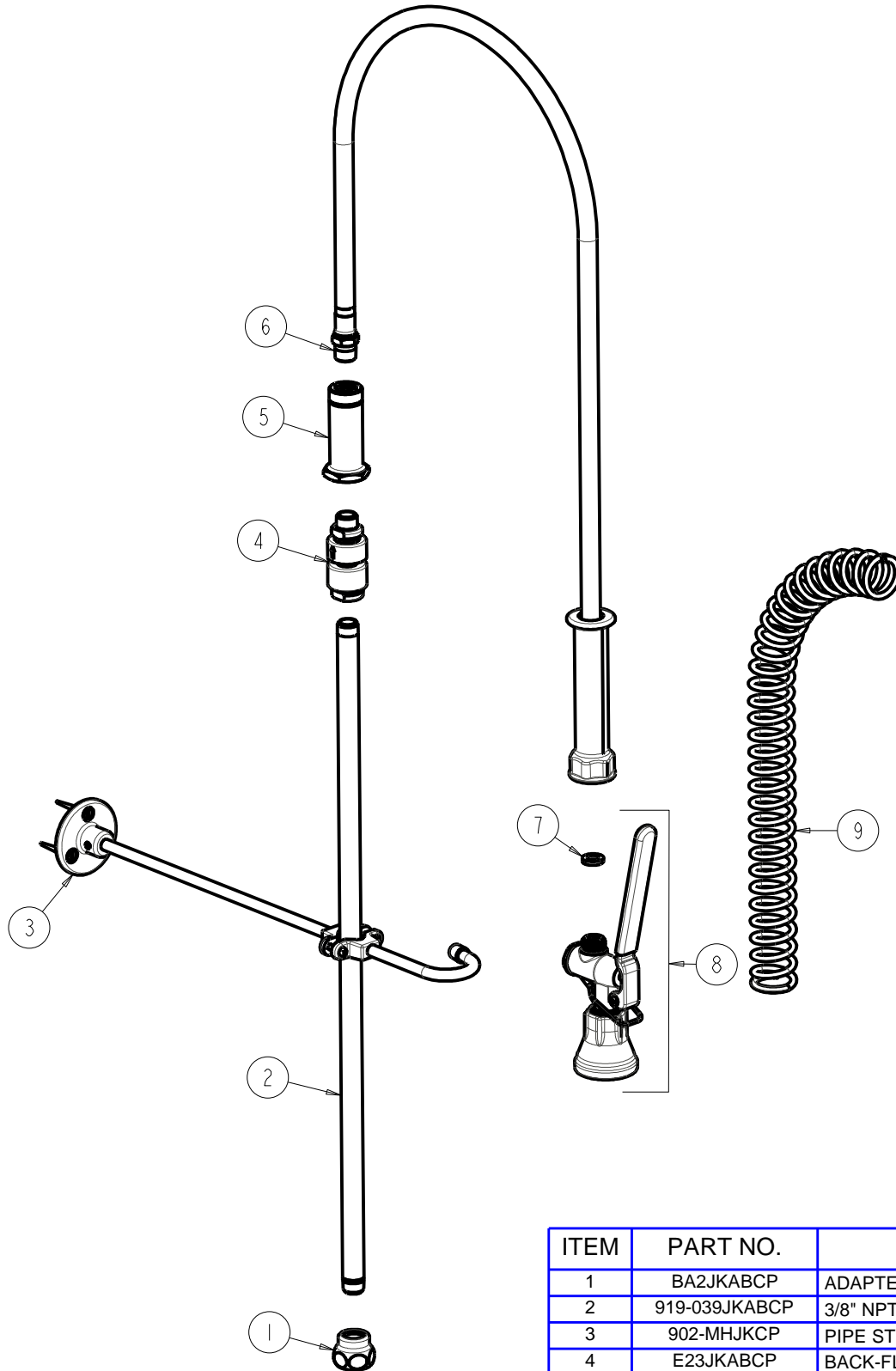
BY: JAR DATE: 01-15-13
CHK: *JAR* REV:

FITTING NO.

919-SLVBABCP

SUBMITTED MODEL NO.

ITEM NO.



ITEM	PART NO.	DESCRIPTION
1	BA2JKABCP	ADAPTER 3/8 NPT X 1 1/16-18 UNEF
2	919-039JKABCP	3/8" NPT X 23" RISER
3	902-MHJKCP	PIPE STRAP AND HOOK ASSEMBLY
4	E23JKABCP	BACK-FLOW PREVENTER
5	919-038JKABCP	GUIDE SHANK
6	83-44ABNF	44" HOSE AND HANDLE ASSEMBLY
7	919-243JKNF	GASKET, .685 X .375 X .125
8	90-LABCP	PRE-RINSE VALVE, LOW FLOW
9	919-014JKCP	SPRING