

**CHICAGO FAUCETS**  
 a Geberit company

2100 South Clearwater Drive  
 Des Plaines, IL 60018  
 Phone: 847-803-5000  
 Fax: 847-803-5454  
 www.chicagofaucets.com

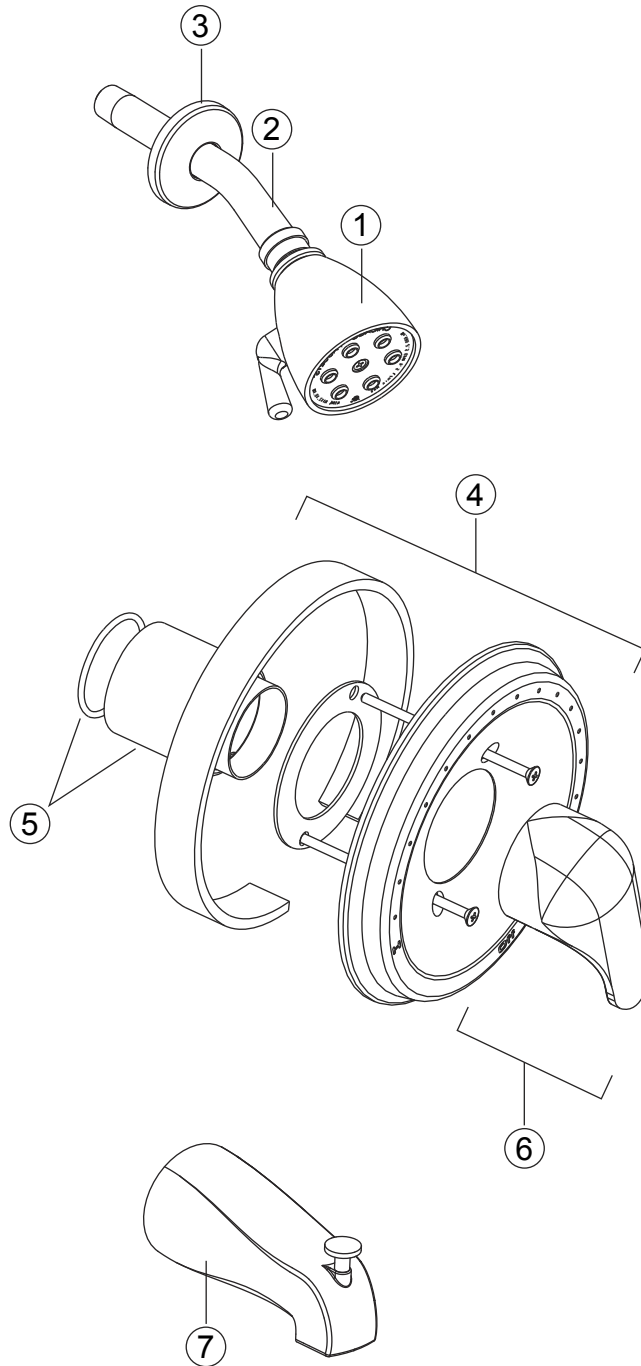
**REPAIR PARTS**

BY: PT    DATE: 08-26-10  
 CHK:    REV:

FITTING NO.  
**1905-TK600CP**  
 SUBMITTED MODEL NO.

ITEM NO.

**FOR TECHNICAL ASSISTANCE**  
 1-800-TEC-TRUE (1-800-832-8783)



NO.	PART NO.	DESCRIPTION
1	600-CP	FOR PARTS SEE 600 SHOWERHEAD
2	415-021JKCP	SHOWER ARM
3	749-016JKCP	WALL FLANGE
4	1905-007JKCP	FACEPLATE KIT
5	1905-009KJKCP	SLEEVE KIT
6	1905-008KJKCP	HANDLE KIT
7	749-S	TUB SPOUT