



2100 South Clearwater Drive
Des Plaines, IL 60018
Phone: 847-803-5000
Fax: 847-803-5454
www.chicagofaucets.com

REPAIR PARTS

FITTING NO.

1905-VONF

SUBMITTED MODEL NO.

BY: PT

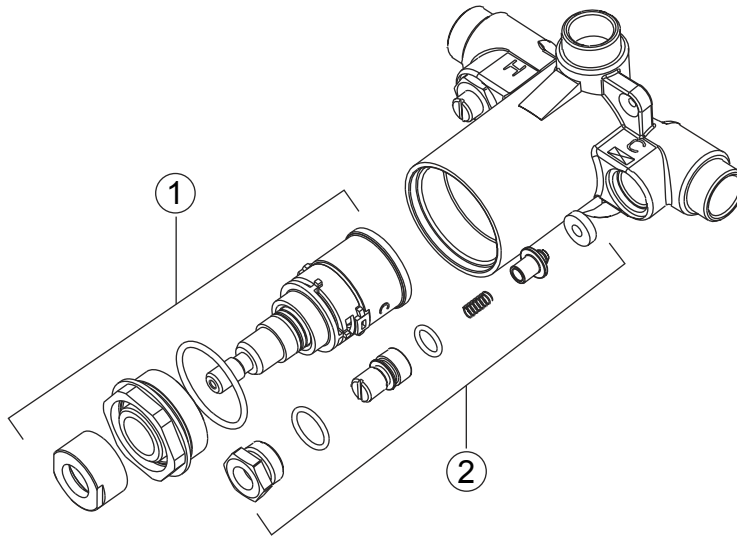
DATE: 08-25-10

ITEM NO.

CHK:

REV:

FOR TECHNICAL ASSISTANCE
1-800-TEC-TRUE (1-800-832-8783)



NO.	PART NO.	DESCRIPTION
1	1905-006KJKNF	CARTRIDGE KIT
2	1900-002JKNF	CHECK STOP REPAIR KIT