

# MECHANICAL FAUCETS

## 937-WHLEB

### Needle Valves

#### Product Type

Panel Mounted Single Needle Valves Needle Valve

#### Features & Specifications

- Single Needle Valves
- Full Flow Nozzle
- Needle Valve Compression Operating Cartridge
- 3/8" - 18 NPT Male Thread Inlet
- May Be Used with Most Laboratory Gases
- 937 Valve is Certified for Gas Service per ANSI Z21.15b-2006/CSA 9.1b-2006 by the Canadian Standards Association

#### Performance Specification

- Rated Operating Pressure: 0-0.5 PSI

#### Warranty

- Lifetime Limited Faucet Warranty
- 5-Year Limited Cartridge Warranty
- 1-Year Limited Finish Warranty

Job Name \_\_\_\_\_

Item Number \_\_\_\_\_

Section/Tag \_\_\_\_\_

Model Specified \_\_\_\_\_

Architect \_\_\_\_\_

Engineer \_\_\_\_\_

Contractor \_\_\_\_\_

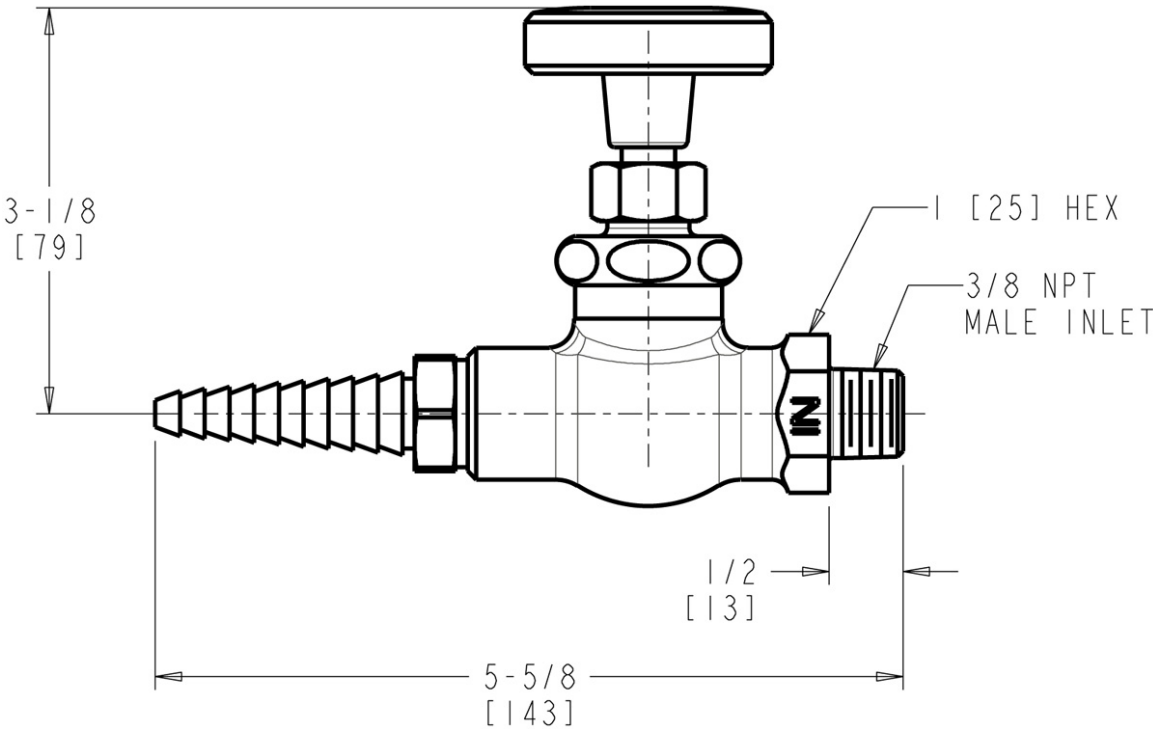
Submitted as Shown       Submitted with Variations

Date \_\_\_\_\_



### Architect/Engineer Specification

Chicago Faucets No. 937-WHLEB, Panel Mounted Single Needle Valves Needle Valve, Chrome Plated solid brass construction. Full Flow Laboratory Serrated Nozzle. 3/8" - 18 NPT Male Thread Inlet. May Be Used with Most Laboratory Gases. 937 Valve is Certified for Gas Service per ANSI Z21.15b-2006/CSA 9.1b-2006 by the Canadian Standards Association. Mounting hardware included.



### Operation and Maintenance

Installation should be in accordance with local plumbing codes. Flush all pipes thoroughly before installation. After installation, remove spout outlet or flow control and flush faucet thoroughly to clear any debris. Care should be taken when cleaning the product. Do not use abrasive cleaners, chemicals or solvents as they can result in surface damage. Use mild soap and warm water for cleaning and protecting the life of Chicago Faucet products. For specific operation and maintenance refer to the installation instructions and repair parts documents that are located at [www.chicagofaucets.com](http://www.chicagofaucets.com).

Chicago Faucets, member of the Geberit Group, is the leading brand of commercial faucets and fittings in the United States, offering a complete range of products for schools, laboratories, hospitals, office buildings, food service, airports and sport facilities. Call 1.800.TECTRUE or 1.847.803.5000 Option 1 for installation or other technical assistance.

2100 South Clearwater Drive  
Des Plaines, IL  
P: 847/803-5000  
F: 847/803-5454  
Technical: 800/TEC-TRUE  
[www.chicagofaucets.com](http://www.chicagofaucets.com)

