

### Multiple Service Fixtures

#### Product Type

Deck Mounted Multiple Service Valves Dual Inlet Multiple Service Faucet

#### Features & Specifications

- Multiple Service Valves
- Full Flow Nozzle
- 2-1/2" Cross Handle
- Slow Compression Operating Cartridge
- 3/8" NPT Male Thread Inlet Shank Assembly

#### Warranty

- Lifetime Limited Faucet Warranty
- 5-Year Limited Cartridge Warranty
- 1-Year Limited Finish Warranty

#### Codes & Standards

- ASME A112.18.1/CSA B125.1

Job Name \_\_\_\_\_

Item Number \_\_\_\_\_

Section/Tag \_\_\_\_\_

Model Specified \_\_\_\_\_

Architect \_\_\_\_\_

Engineer \_\_\_\_\_

Contractor \_\_\_\_\_

Submitted as Shown       Submitted with Variations

Date \_\_\_\_\_

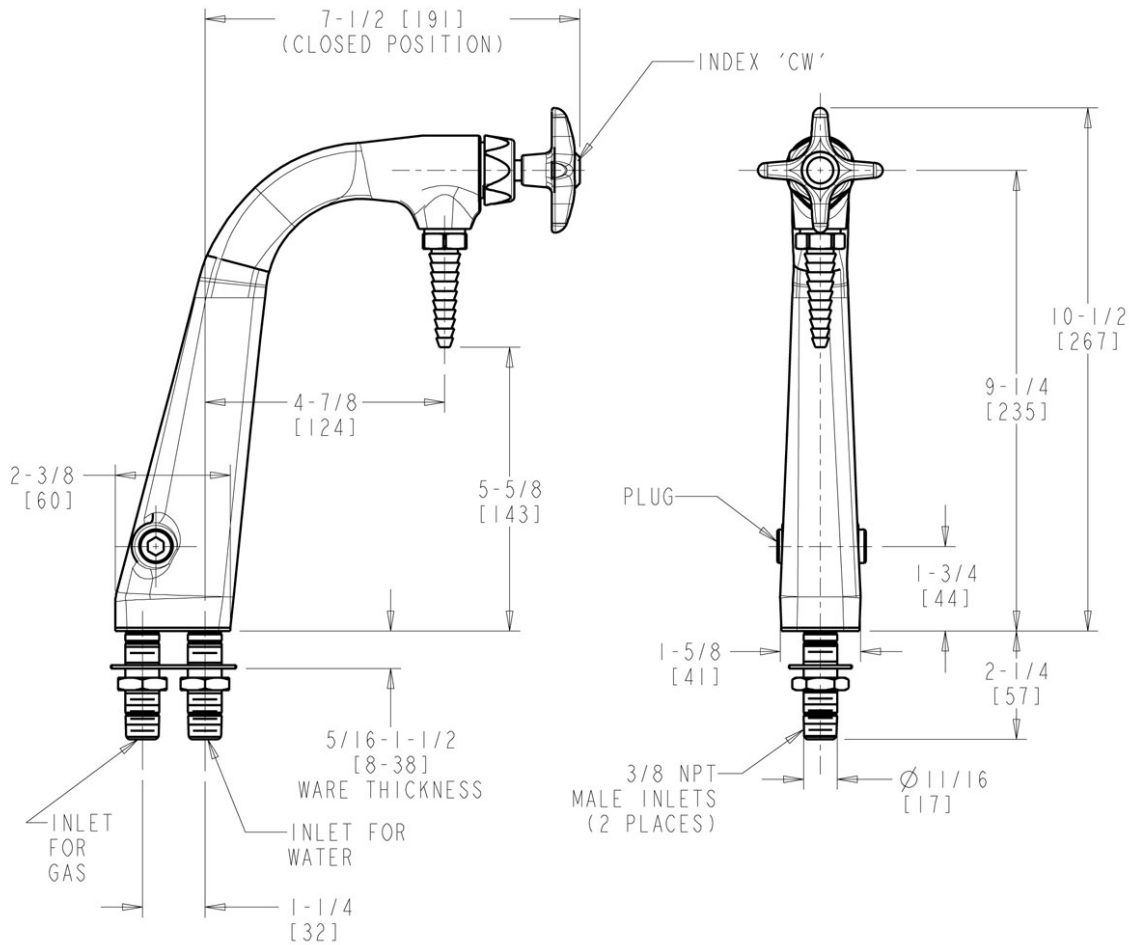


# 1334-CP

## Multiple Service Fixtures

### Architect/Engineer Specification

Chicago Faucets No. 1334-CP, Deck Mounted Multiple Service Valves Dual Inlet Multiple Service Faucet, Chrome Plated solid brass construction. Full Flow Laboratory Serrated Nozzle. 2-1/2" Black Nylon Cross handle(s) with Tapered Square and CW Button. Slow compression rebuildable cartridge, opens and closes 360° for fine adjustment, closes with water pressure, features square tapered stem. 3/8" NPT Male Thread Inlet Shank Assembly. .



### Operation and Maintenance

Installation should be in accordance with local plumbing codes. Flush all pipes thoroughly before installation. After installation, remove spout outlet or flow control and flush faucet thoroughly to clear any debris. Care should be taken when cleaning the product. Do not use abrasive cleaners, chemicals or solvents as they can result in surface damage. Use mild soap and warm water for cleaning and protecting the life of Chicago Faucet products. For specific operation and maintenance refer to the installation instructions and repair parts documents that are located at [www.chicagofaucets.com](http://www.chicagofaucets.com).

Chicago Faucets, member of the Geberit Group, is the leading brand of commercial faucets and fittings in the United States, offering a complete range of products for schools, laboratories, hospitals, office buildings, food service, airports and sport facilities. Call 1.800.TECTRUE or 1.847.803.5000 Option 1 for installation or other technical assistance.

