

# MECHANICAL FAUCETS

## 1332-317XKCP



### Multiple Service Fixtures

#### Product Type

Deck Mounted Multiple Service Valves Combination Triple Service Fixture

#### Features & Specifications

- Multiple Service Valves
- Full Flow Nozzle
- Secondary Control Valve
  - Full Flow Nozzle
  - 4" Wristblade Handle
  - Ceramic 1/4 Turn Operating Cartridge
- Two 3/8" NPT Male Thread Inlet Shank Assemblies
- May Be Used with Most Laboratory Gases
- 909 Valve is Certified for Gas Service per ANSI Z21.15b-2006/CSA 9.1b-2006 by the Canadian Standards Association

#### Performance Specification

- Rated Operating Pressure: 0-0.5 PSI
- Rated Operating Temperature: 40-140 °F

#### Warranty

- Lifetime Limited Faucet Warranty
- 5-Year Limited Cartridge Warranty
- 1-Year Limited Finish Warranty

Job Name \_\_\_\_\_

Item Number \_\_\_\_\_

Section/Tag \_\_\_\_\_

Model Specified \_\_\_\_\_

Architect \_\_\_\_\_

Engineer \_\_\_\_\_

Contractor \_\_\_\_\_

Submitted as Shown       Submitted with Variations

Date \_\_\_\_\_



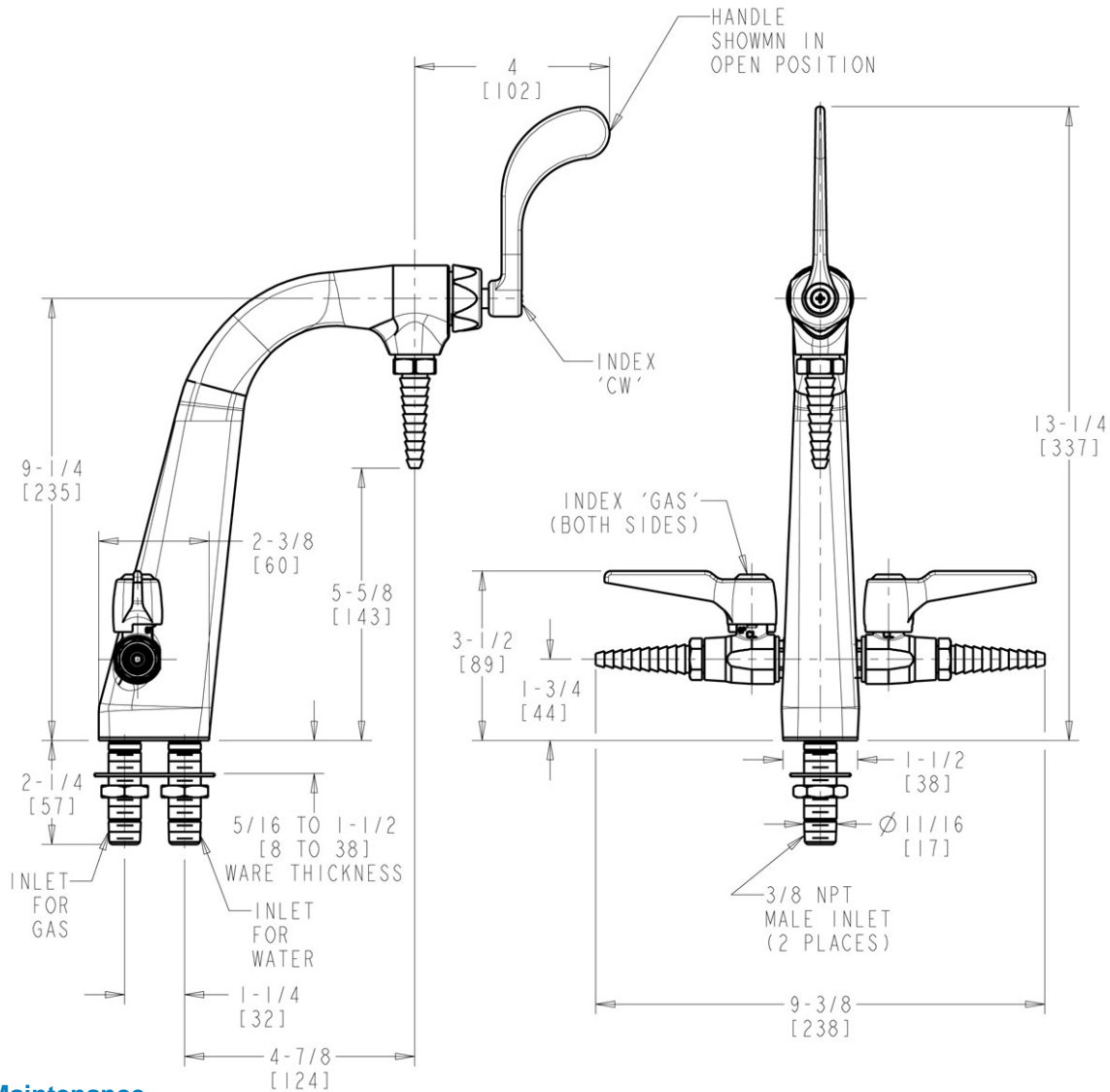
2100 South Clearwater Drive  
Des Plaines, IL  
P: 847/803-5000  
F: 847/803-5454  
Technical: 800/TEC-TRUE  
www.chicagofaucets.com

# 1332-317XKCP

## Multiple Service Fixtures

### Architect/Engineer Specification

Chicago Faucets No. 1332-317XKCP, Deck Mounted Multiple Service Valves Combination Triple Service Fixture, Chrome Plated solid brass construction. Full Flow Laboratory Serrated Nozzle. Two 3/8" NPT Male Thread Inlet Shank Assemblies. May Be Used with Most Laboratory Gases. 909 Valve is Certified for Gas Service per ANSI Z21.15b-2006/CSA 9.1b-2006 by the Canadian Standards Association. Mounting hardware included. Secondary Control Valve: Full Flow Laboratory Serrated Nozzle. 4" Metal Wristblade handle(s) with Sixteen Point Tapered Broach and Secured Blue Button. Ceramic quarter turn cartridge, features square tapered stem. .



### Operation and Maintenance

Installation should be in accordance with local plumbing codes. Flush all pipes thoroughly before installation. After installation, remove spout outlet or flow control and flush faucet thoroughly to clear any debris. Care should be taken when cleaning the product. Do not use abrasive cleaners, chemicals or solvents as they can result in surface damage. Use mild soap and warm water for cleaning and protecting the life of Chicago Faucet products. For specific operation and maintenance refer to the installation instructions and repair parts documents that are located at [www.chicagofaucets.com](http://www.chicagofaucets.com).

Chicago Faucets, member of the Geberit Group, is the leading brand of commercial faucets and fittings in the United States, offering a complete range of products for schools, laboratories, hospitals, office buildings, food service, airports and sport facilities. Call 1.800.TECTRUE or 1.847.803.5000 Option 1 for installation or other technical assistance.

