

1344-001KJKRCF

Commercial Drain Overflow Head

PRODUCT TYPE

Commercial Drain Overflow Head

FEATURES & SPECIFICATIONS

- For use with 1366-NF Twist Drain or 1367-NF Rotary Drain
- Requires 2" Opening
- Supplied with rubber gasket
- Stainless steel face plate
- Cast brass body construction
- Slipnut and slipwasher included
- Rough chrome finish

COMPLIANT TO

- ASME A112.18.1M

| | |
|---|--|
| Job Name | _____ |
| Item Number | _____ |
| Section/Tag | _____ |
| Model Specified | _____ |
| Architect | _____ |
| Engineer | _____ |
| Contractor | _____ |
| <input type="checkbox"/> Submitted as Shown | <input type="checkbox"/> Submitted with Variations |
| Date | _____ |

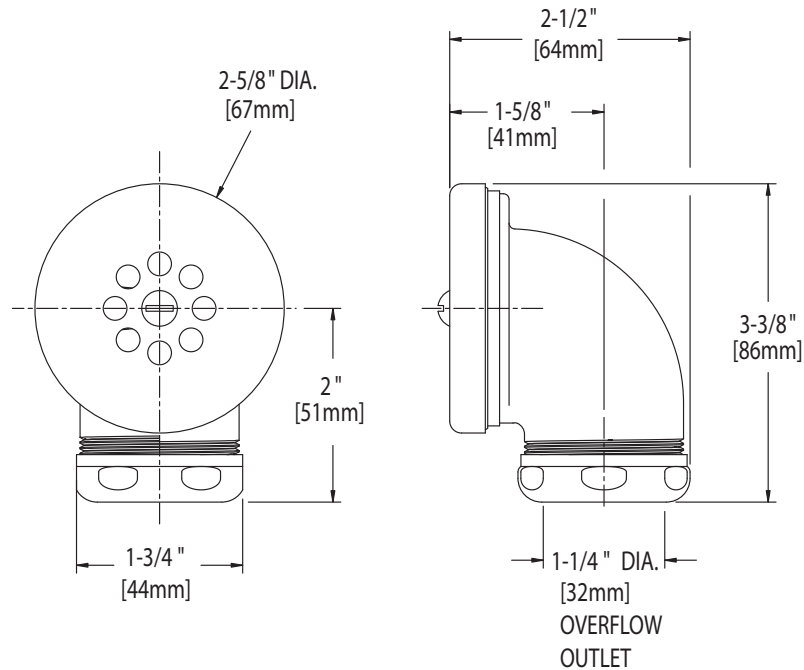


1344-001KJKRCF

Commercial Drain Overflow Head

ARCHITECT/ENGINEER SPECIFICATION

Chicago Faucets No. 1344-001KJKRCF, for use with 1366-NF Twist Drain or 1367-NF Rotary Drain. Requires 2" opening. Supplied with rubber gasket. Stainless steel face plate. Cast brass body construction. Slipnut and slipwasher included. This product is compliant to ASME A112.18.1M.



OPERATION AND MAINTENANCE

Installation should be in accordance with local plumbing codes. Flush all pipes thoroughly before installation. After installation, remove spout outlet or flow control and flush faucet thoroughly to clear any debris. Care should be taken when cleaning this product. Do not use abrasive cleaners, chemicals or solvents as they can result in surface damage. Use mild soap and warm water for cleaning and protecting the life of Chicago Faucet products. For specific operation and maintenance refer to the installation instructions and repair parts documents that are located at www.chicagofaucets.com.

Chicago Faucets, member of the Geberit Group, is the leading brand of commercial faucets and fittings in the United States, offering a complete range of products for schools, laboratories, hospitals, office buildings, food service, airports and sport facilities. Call 1.800.TECTRUE or 1.847.803.5000 Option 1 for installation or other technical assistance.