

## 1344-002JKRCF

Commercial Drain Overflow Elbow

### PRODUCT TYPE

Commercial Drain Overflow Elbow

### FEATURES & SPECIFICATIONS

- For use with 1366-NF Twist Drain or 1367-NF Rotary Drain
- Brass nickel plated overflow tube
- One piece formed tube
- 1-1/4" outside diameter tubing
- Rough chrome finish

### COMPLIANT TO

- ASME A112.18.1M

Job Name	_____
Item Number	_____
Section/Tag	_____
Model Specified	_____
Architect	_____
Engineer	_____
Contractor	_____
<input type="checkbox"/> Submitted as Shown	<input type="checkbox"/> Submitted with Variations
Date	_____

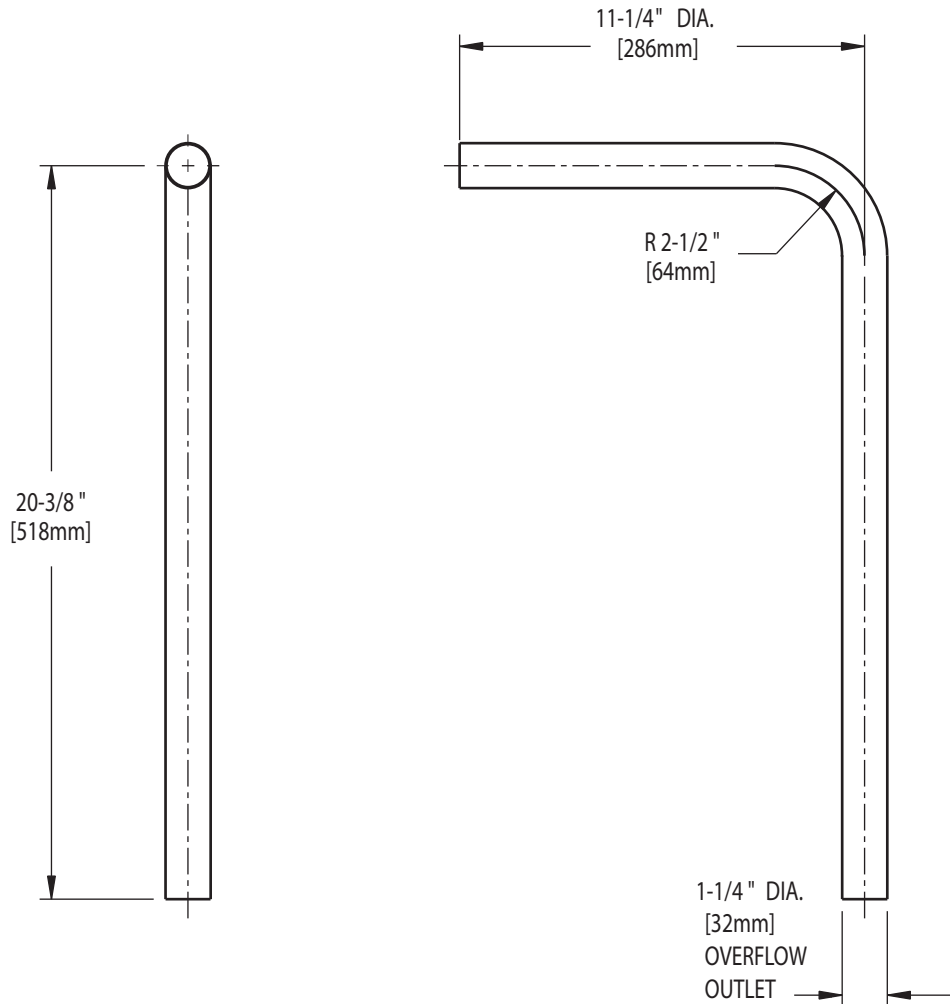


# 1344-002JKRCF

Commercial Drain Overflow Elbow

## ARCHITECT/ENGINEER SPECIFICATION

Chicago Faucets No. 1344-002JKRCF, for use with 1366-NF Twist Drain or 1367-NF Rotary Drain. Brass nickel plated overflow tube. One piece formed tube. 1-1/4" outside diameter tubing. This product is compliant to ASME A112.18.1M.



## OPERATION AND MAINTENANCE

Installation should be in accordance with local plumbing codes. Flush all pipes thoroughly before installation. After installation, remove spout outlet or flow control and flush faucet thoroughly to clear any debris. Care should be taken when cleaning this product. Do not use abrasive cleaners, chemicals or solvents as they can result in surface damage. Use mild soap and warm water for cleaning and protecting the life of Chicago Faucet products. For specific operation and maintenance refer to the installation instructions and repair parts documents that are located at [www.chicagofaucets.com](http://www.chicagofaucets.com).

Chicago Faucets, member of the Geberit Group, is the leading brand of commercial faucets and fittings in the United States, offering a complete range of products for schools, laboratories, hospitals, office buildings, food service, airports and sport facilities. Call 1.800.TECTRUE or 1.847.803.5000 Option 1 for installation or other technical assistance.