

CHICAGO FAUCETS

2100 SOUTH CLEARWATER DRIVE
DES PLAINES, ILLINOIS 60018-5999

Last As Long As The Building

FITTING NO.

1332-E22E7-204

SUBMITTED MODEL NO.

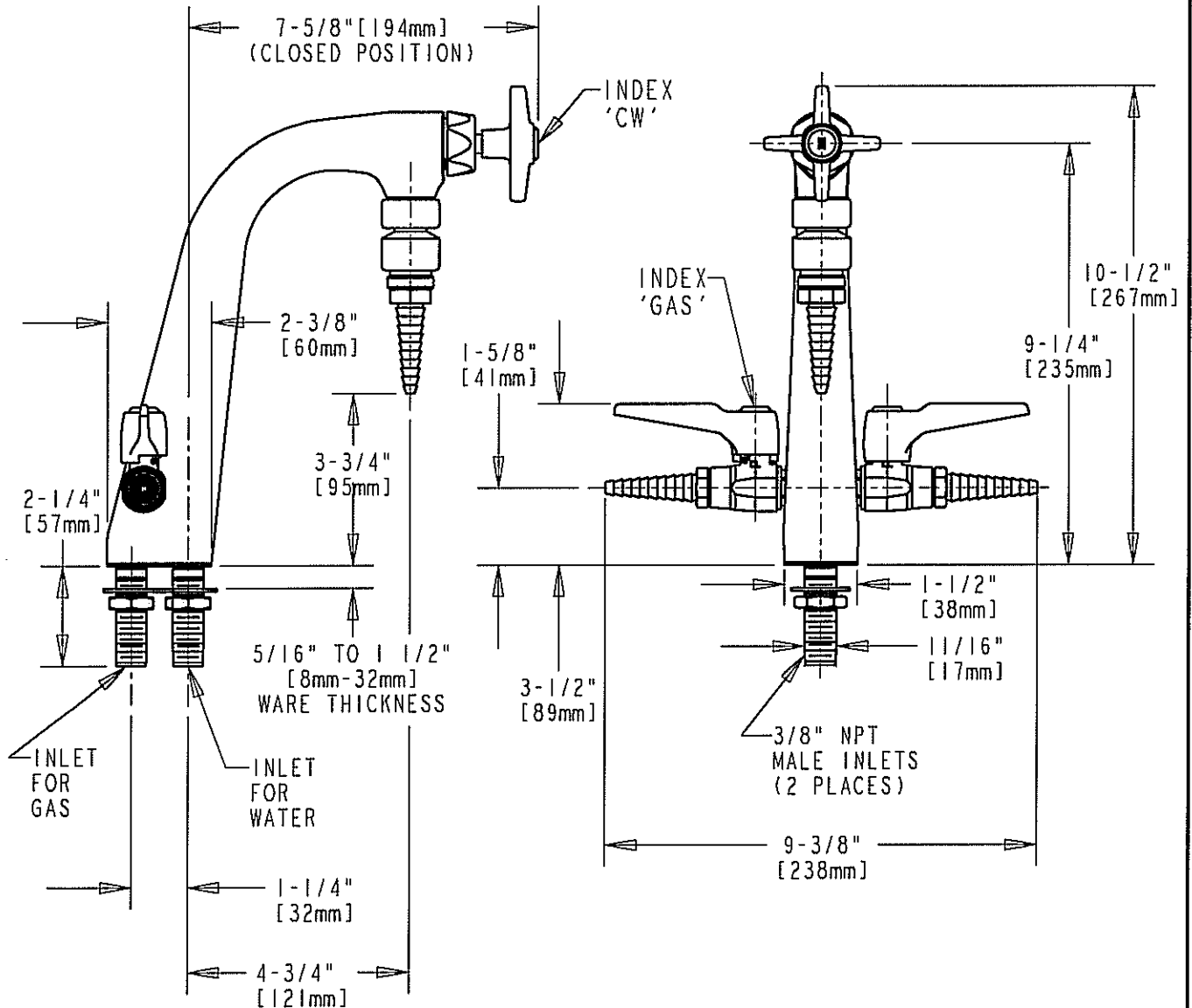
JOB NAME

ITEM NO.

SUBMITTED AS SHOWN

SUBMITTED AS NOTED

SEE ATTACHED FOR
SUBMITTED MODIFICATION



DIMENSIONS IN INCHES AND [MILLIMETERS].

TECHNICAL DATA

- DECK MOUNTED DUAL SERVICE FITTING
- ONE PIECE CAST BRASS SPOUT
- 204 WATER INDEXED 4-ARM HANDLE
- SLO-COMPRESSION OPERATING CARTRIDGE
- (2) 909 BALL VALVES
- FINISH: CHROME PLATE

- E7 WATER-REMOVABLE SERRATED HOSE NOZZLE
- E22 BACK FLOW PREVENTER
- BALL VALVE-125 PSI
- ANSI Z21.5A
- CGA 9.1M

DATE: 9-30-02

BY: JAR

CHK'D: SLD

APP'D:

REV: A

1332-E22E7-204

ROUGHING IN DIMENSIONS MAY VARY AND ARE SUBJECT TO CHANGE. NO RESPONSIBILITY IS ASSUMED FOR USE OF SUPERCEDED OR VOIDED DATA.