

CHICAGO FAUCETS



2100 SOUTH CLEARWATER DRIVE
DES PLAINES, ILLINOIS 60018-5999

Last As Long As The Building

FITTING NO.

1332-E22E7

SUBMITTED MODEL NO.

JOB NAME

ITEM NO.

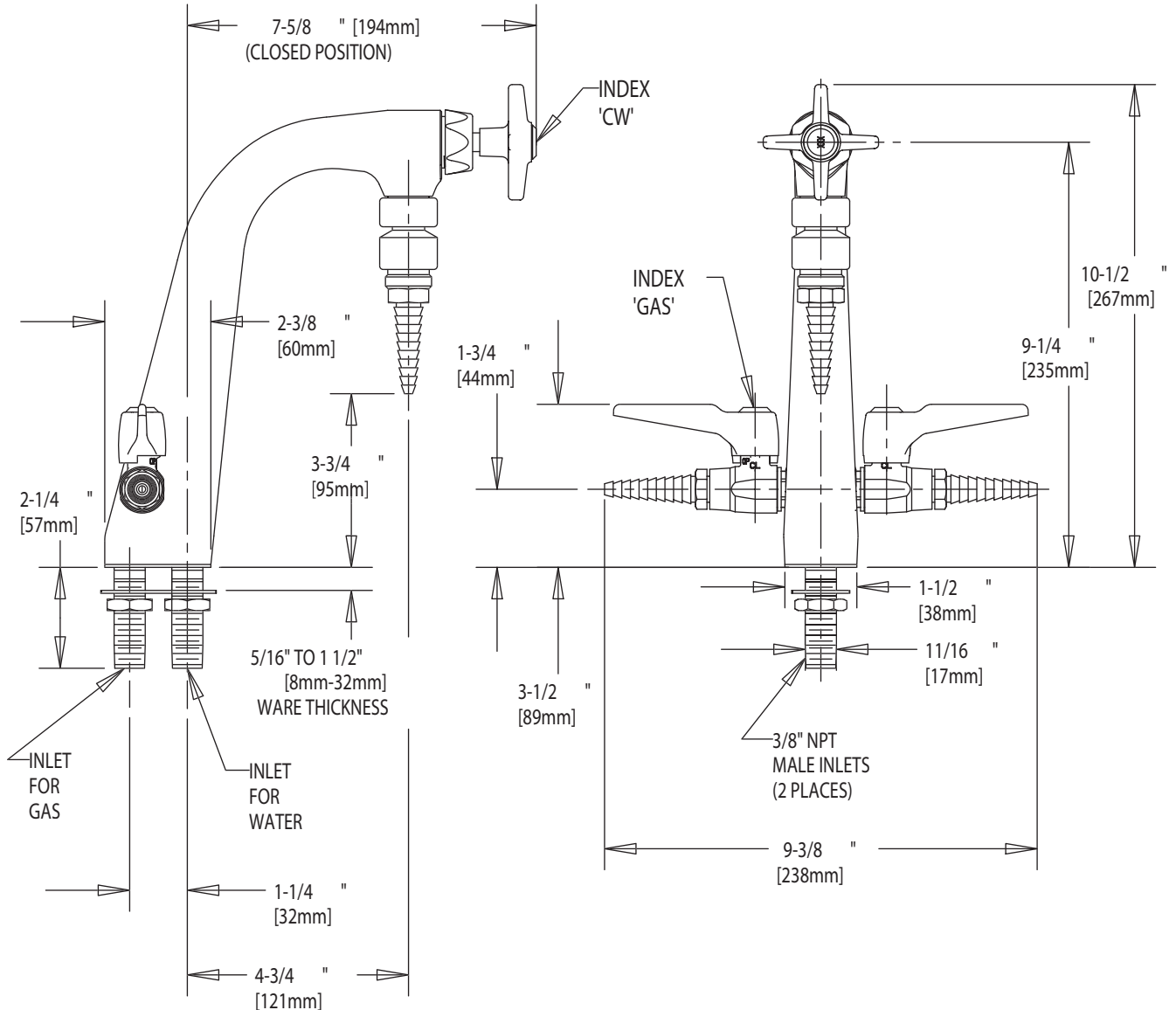
SUBMITTED AS SHOWN

SUBMITTED AS NOTED

SEE ATTACHED FOR
SUBMITTED MODIFICATION

IS ASSUMED FOR USE OF SUPERCEDED OR VOIDED DATA.

ROUGHING IN DIMENSIONS MAY VARY AND ARE SUBJECT TO CHANGE. NO RESPONSIBILITY



DIMENSIONS IN INCHES AND [MILLIMETERS].

TECHNICAL DATA

- DECK MOUNTED DUAL SERVICE FITTING
- ONE PIECE CAST BRASS SPOUT
- 205 WATER INDEXED 4-ARM HANDLE
- SLO-COMPRESSION CARTRIDGE
- (2) 909 BALL VALVES
- FINISH: CHROME PLATE

- E7 WATER-REMOVABLE SERRATED HOSE NOZZLE
- E22 BACK FLOW PREVENTER
- BALL VALVE-125 PSI
- ANSI Z21.5A
- CGA 9.1M

DATE: 5-15-02

BY: JAR

CHK'D:

APP'D:

REV: A

1332-E22E7