

# CHICAGO FAUCETS



2100 SOUTH CLEARWATER DRIVE  
DES PLAINES, ILLINOIS 60018-5999

Last As Long As The Building

FITTING NO.

1332

SUBMITTED MODEL NO.

JOB NAME

ITEM NO.

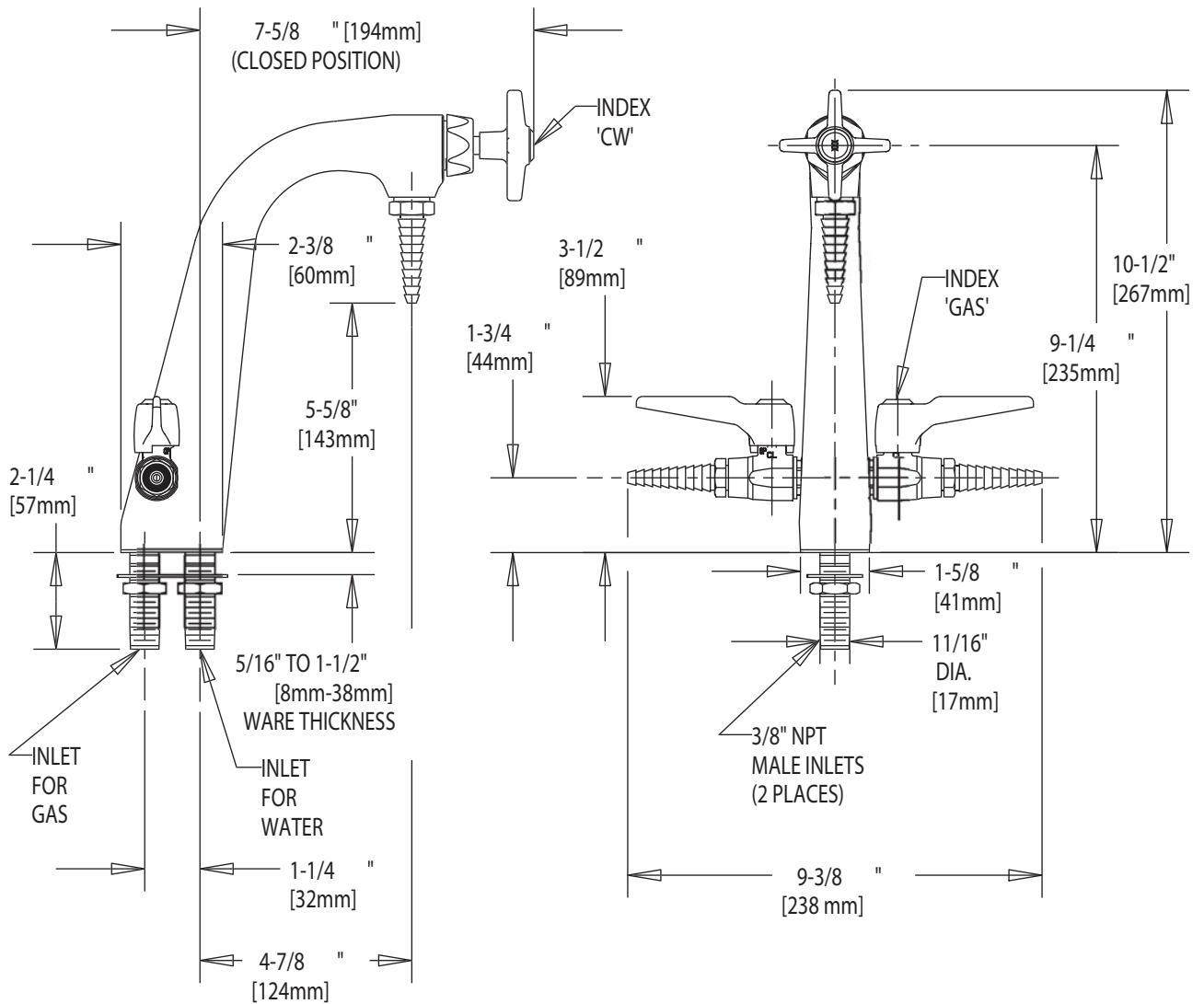
SUBMITTED AS SHOWN

SUBMITTED AS NOTED

SEE ATTACHED FOR  
SUBMITTED MODIFICATION

IS ASSUMED FOR USE OF SUPERCEDED OR VOIDED DATA.

ROUGHING IN DIMENSIONS MAY VARY AND ARE SUBJECT TO CHANGE. NO RESPONSIBILITY



DIMENSIONS IN INCHES AND [MILLIMETERS].

## TECHNICAL DATA

- DECK MOUNTED DUAL SERVICE FITTING
- ONE PIECE CAST BRASS SPOUT
- 205 WATER-INDEXED 4-ARM HANDLE
- SLOW COMPRESSION CARTRIDGE
- (2) 909C BALL VALVES WITH INTEGRAL CHECK
- FINISH: CHROME PLATE

- E7 WATER-REMOVABLE SERRATED HOSE NOZZLE
- BALL VALVE-125 PSI
- ANSI Z21.5A
- CGA 9.1M

DATE: 03-31-03

BY: JAR

CHK'D:

APP'D:

REV: B

1332