

Multiple Service Fixtures

Product Type

Deck Mounted Multiple Service Valves Combination Triple Service Fixture

Features & Specifications

- Multiple Service Valves
- Full Flow Nozzle
- Shank Assembly
- Secondary Control Valve
 - 6" Rigid / Swing Gooseneck Spout with Atmospheric Vacuum Breaker
 - Full Flow Nozzle
 - 2-3/8" Lever Handle
 - Quatern Compression Operating Cartridge
- May Be Used with Most Laboratory Gases
- Atmospheric Vacuum Breaker, Not Intended for Continuous Pressure Applications
- 909 Valve is Certified for Gas Service per ANSI Z21.15b-2006/CSA 9.1b-2006 by the Canadian Standards Association

Performance Specification

- Rated Operating Pressure: 0-0.5 PSI
- Rated Operating Temperature: 40-140°F

Warranty

- Lifetime Limited Faucet Warranty
- 5-Year Limited Cartridge Warranty
- 1-Year Limited Finish Warranty

Codes & Standards

- ASSE 1001
- ADA ANSI/ICC A117.1

Job Name _____

Item Number _____

Section/Tag _____

Model Specified _____

Architect _____

Engineer _____

Contractor _____

Submitted as Shown Submitted with Variations

Date _____

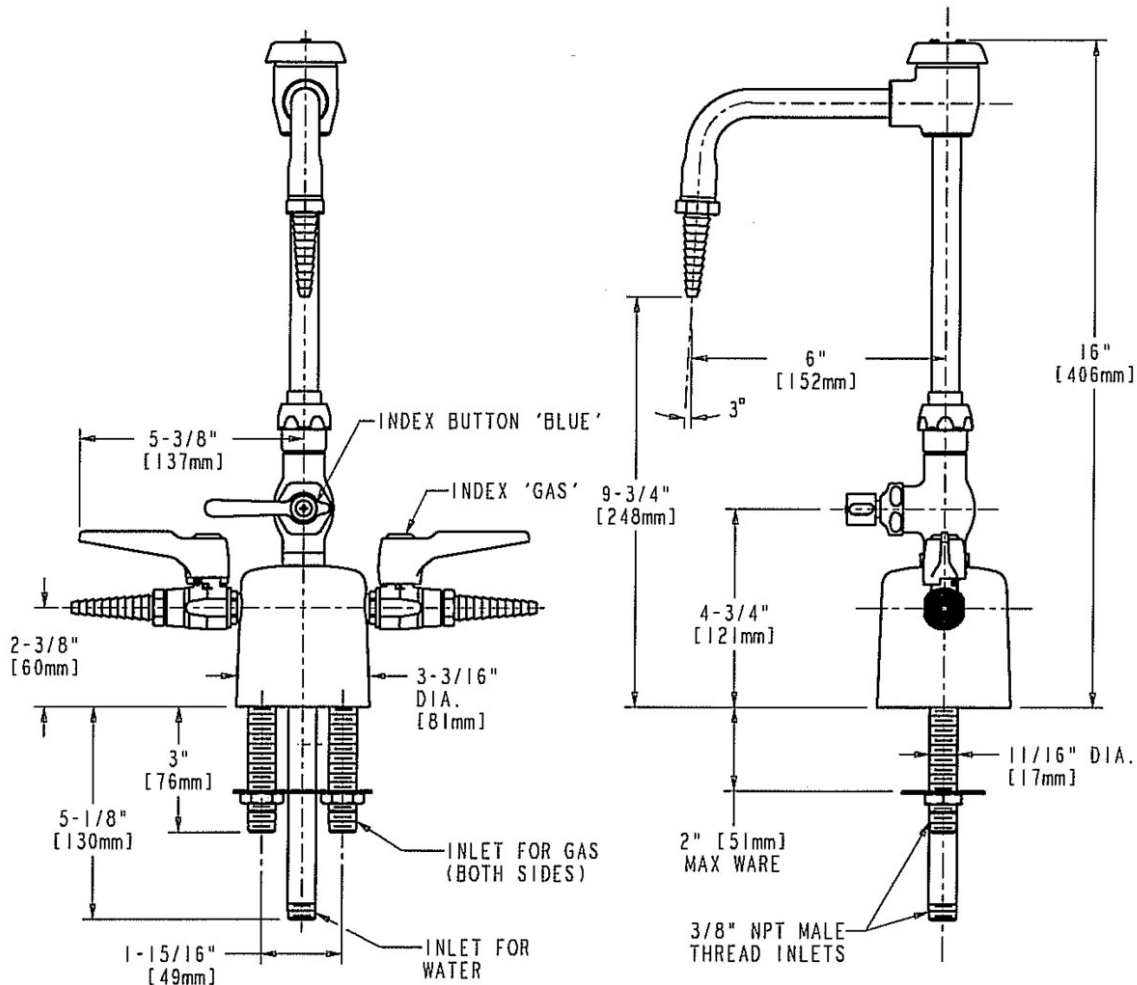


1301-GN2BVBE7-369

Multiple Service Fixtures

Architect/Engineer Specification

Chicago Faucets No. 1301-GN2BVBE7-369, Deck Mounted Multiple Service Valves Combination Triple Service Fixture, Chrome Plated solid brass construction. Full Flow Laboratory Serrated Nozzle. Shank Assembly. May Be Used with Most Laboratory Gases. Atmospheric Vacuum Breaker, Not Intended for Continuous Pressure Applications. 909 Valve is Certified for Gas Service per ANSI Z21.15b-2006/CSA 9.1b-2006 by the Canadian Standards Association. Mounting hardware included. Secondary Control Valve: 6" Center to Center Rigid / Swing Gooseneck Spout with Atmospheric Vacuum Breaker. Full Flow Laboratory Serrated Nozzle. 2-3/8" Metal Lever handle(s) with Eight Point Tapered Broach and Secured Blue Button. Quatum™ rebuildable compression cartridge, opens and closes 90°, closes with water pressure, features square tapered stem. .



Operation and Maintenance

Installation should be in accordance with local plumbing codes. Flush all pipes thoroughly before installation. After installation, remove spout outlet or flow control and flush faucet thoroughly to clear any debris. Care should be taken when cleaning the product. Do not use abrasive cleaners, chemicals or solvents as they can result in surface damage. Use mild soap and warm water for cleaning and protecting the life of Chicago Faucet products. For specific operation and maintenance refer to the installation instructions and repair parts documents that are located at www.chicagofaucets.com.

Chicago Faucets, member of the Geberit Group, is the leading brand of commercial faucets and fittings in the United States, offering a complete range of products for schools, laboratories, hospitals, office buildings, food service, airports and sport facilities. Call 1.800.TECTRUE or 1.847.803.5000 Option 1 for installation or other technical assistance.

