

CHICAGO FAUCETS

Last As Long As The Building

2100 SOUTH CLEARWATER DRIVE
DES PLAINES, ILLINOIS 60018-5999

FITTING NO.

1301-GN2BVB

SUBMITTED MODEL NO.

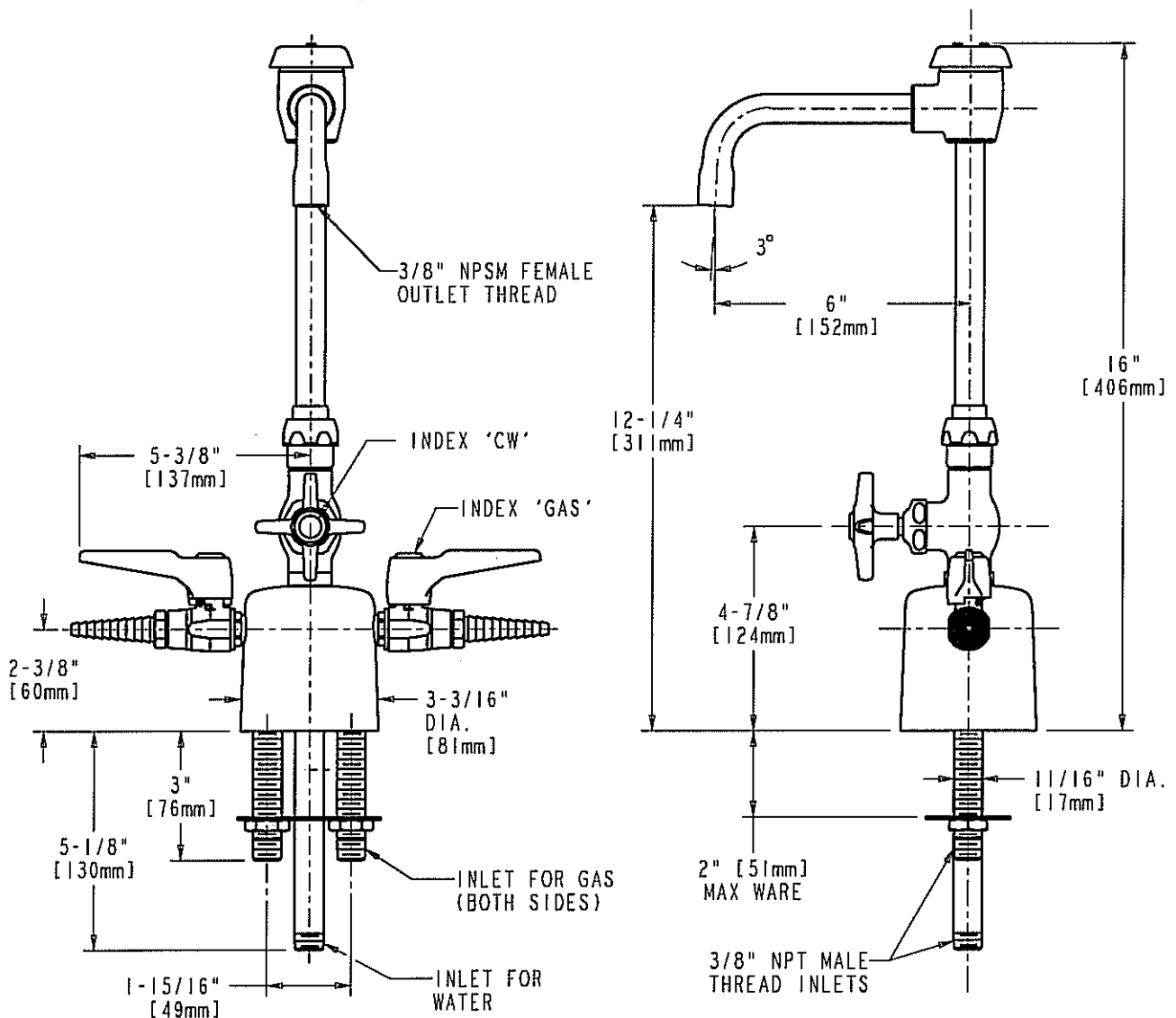
JOB NAME

ITEM NO.

SUBMITTED AS SHOWN

SUBMITTED AS NOTED

SEE ATTACHED FOR
SUBMITTED MODIFICATION



ROUGHING IN DIMENSIONS MAY VARY AND ARE SUBJECT TO CHANGE. NO RESPONSIBILITY IS ASSUMED FOR USE OF SUPERCEDED OR VOIDED DATA.

DIMENSIONS IN INCHES AND [MILLIMETERS].

TECHNICAL DATA

- DECK MOUNTED MULTIPLE SERVICE FITTING
- GN2BVB RIGID/SWING VACUUM BREAKER SPOUT
- 204 INDEXED 4-ARM HANDLE
- SLOW COMPRESSION OPERATING CARTRIDGE
- 909 LABORATORY BALL VALVES
- FINISH: CHROME PLATE

- STRAIGHTWAY CONTROL VALVE
- 1301-SB1KRBF SHANK HARDWARE ASSEMBLY
- BALL VALVE-125 PSI
- ANSI Z21.5A
- CGA 9.1M

DATE: 9-30-02

BY: JAR

CHK'D: *[Signature]*

APP'D:

REV: A

1301-GN2BVB