

CHICAGO FAUCETS

a Geberit company



2100 SOUTH CLEARWATER DRIVE
DES PLAINES, ILLINOIS 60018-5999

FITTING NO.

1301

SUBMITTED MODEL NO.

JOB NAME

ITEM NO.

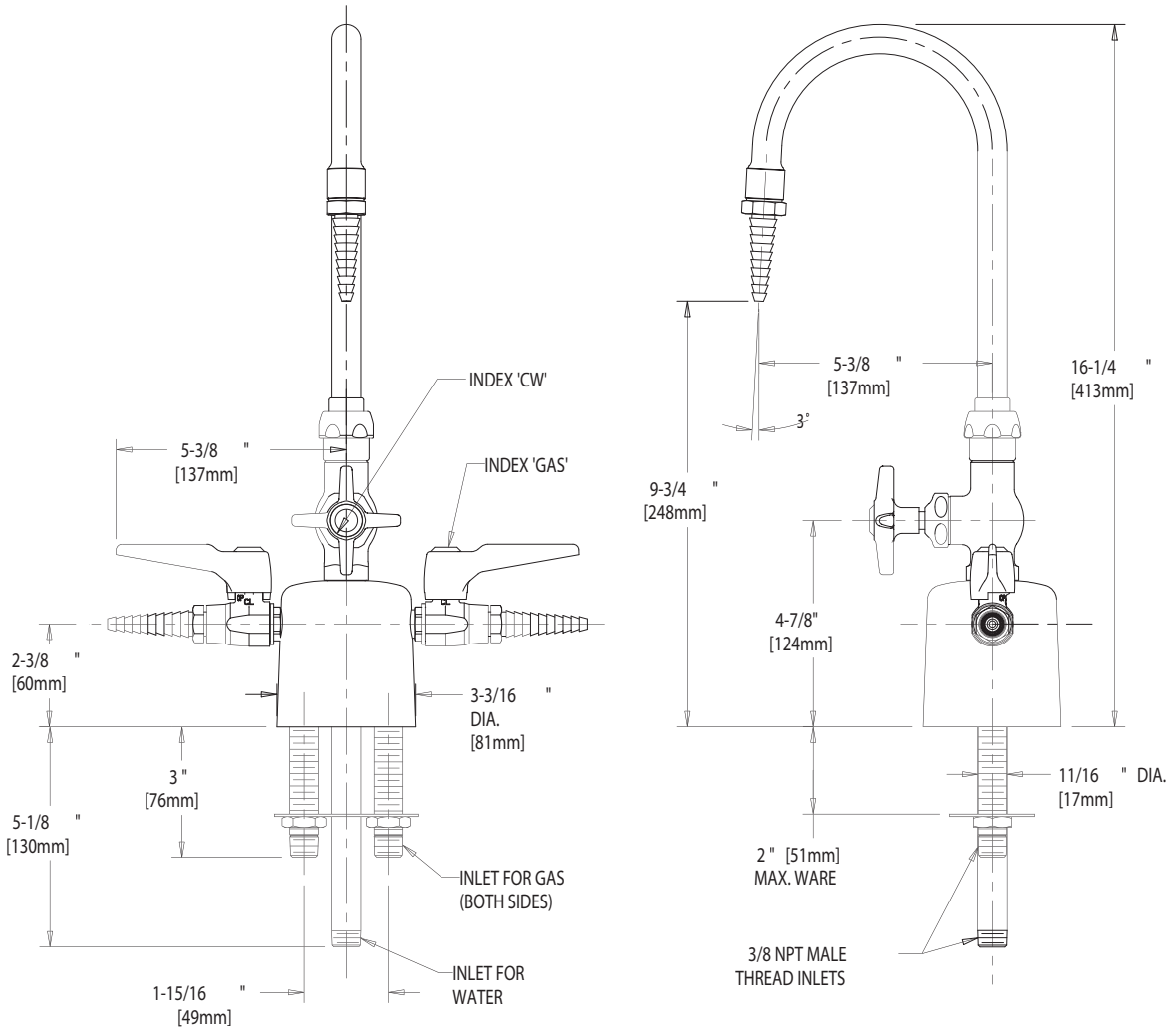
SUBMITTED AS SHOWN

SUBMITTED AS NOTED

SEE ATTACHED FOR
SUBMITTED MODIFICATION

IS ASSUMED FOR USE OF SUPERCEDED OR VOIDED DATA.

ROUGHING IN DIMENSIONS MAY VARY AND ARE SUBJECT TO CHANGE. NO RESPONSIBILITY



DIMENSIONS IN INCHES AND [MILLIMETERS].

TECHNICAL DATA

- DECK MOUNTED MULTIPLE SERVICE FITTING
- GN2B RIGID/SWING GOOSENECK SPOUT
- 204 INDEXED 4-ARM HANDLE
- SLOW COMPRESSION CARTRIDGE
- (2) 909 LABORATORY BALL VALVES
- FINISH: CHROME PLATE

- STRAIGHTWAY CONTROL VALVE
- E7 REMOVABLE SERRATED HOSE NOZZLE
- 1301-SB1K SHANK ASSEMBLY
- BALL VALVE-125 PSI
- ANSI Z21.5A
- CGA 9.1M

DATE: 5-15-02

BY: JAR

CHK'D:

APP'D:

REV: A

1301