

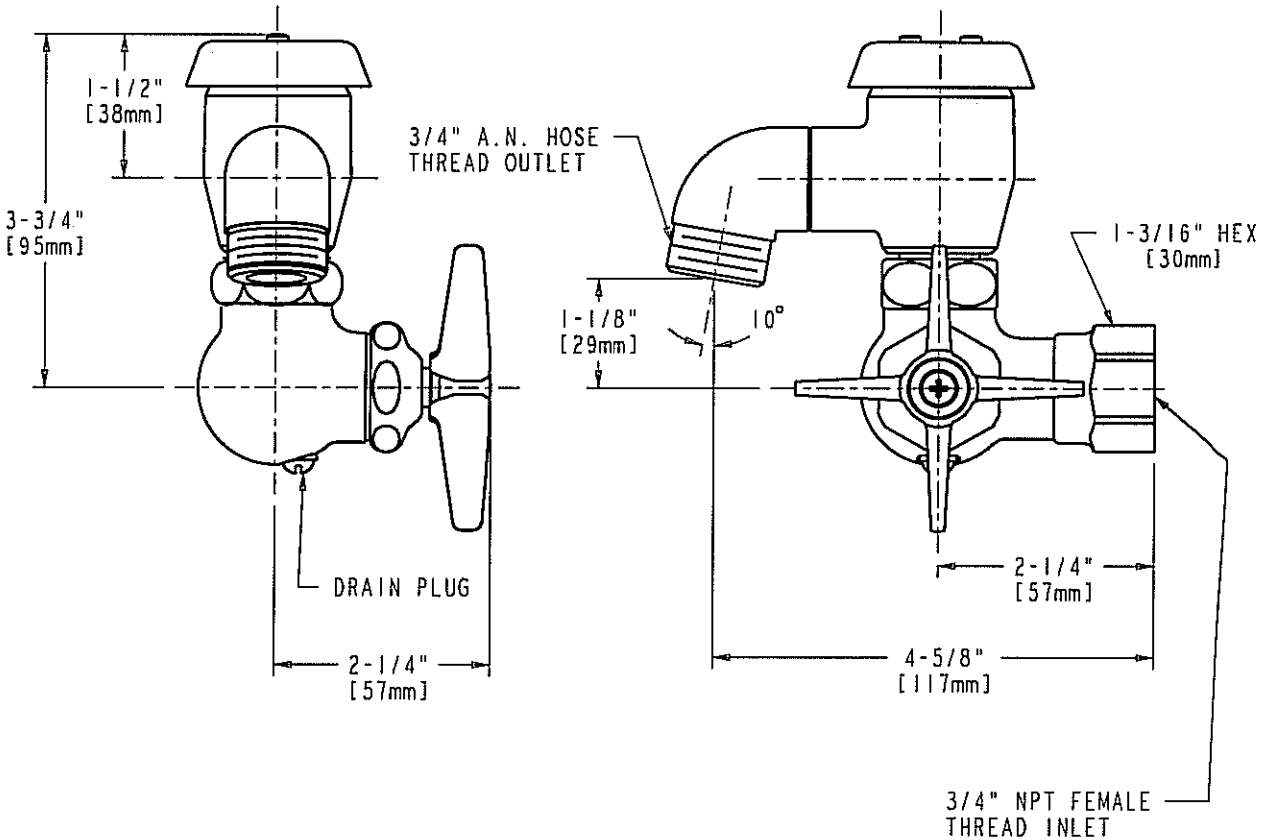
JOB NAME

ITEM NO.

SUBMITTED AS SHOWN

SUBMITTED AS NOTED

SEE ATTACHED FOR
 SUBMITTED MODIFICATION



ROUGHING IN DIMENSIONS MAY VARY AND ARE SUBJECT TO CHANGE. NO RESPONSIBILITY IS ASSUMED FOR USE OF SUPERCEDED OR VOIDED DATA.

TECHNICAL DATA

- INSIDE SILL FAUCET
- VACUUM BREAKER SPOUT
- 633 INDEXED 4-ARM HANDLE
- SLOW COMPRESSION CARTRIDGE
- FINISH: ROUGH CHROME FINISH

- DRAIN PLUG
- 3/4" MALE HOSE THREAD OUTLET
- ASME A112.18.1M
- CSA B125

DATE: 4-15-05

BY: JAR

CHK'D: *SJD*

APP'D: *AT*

REV: A

998-633