

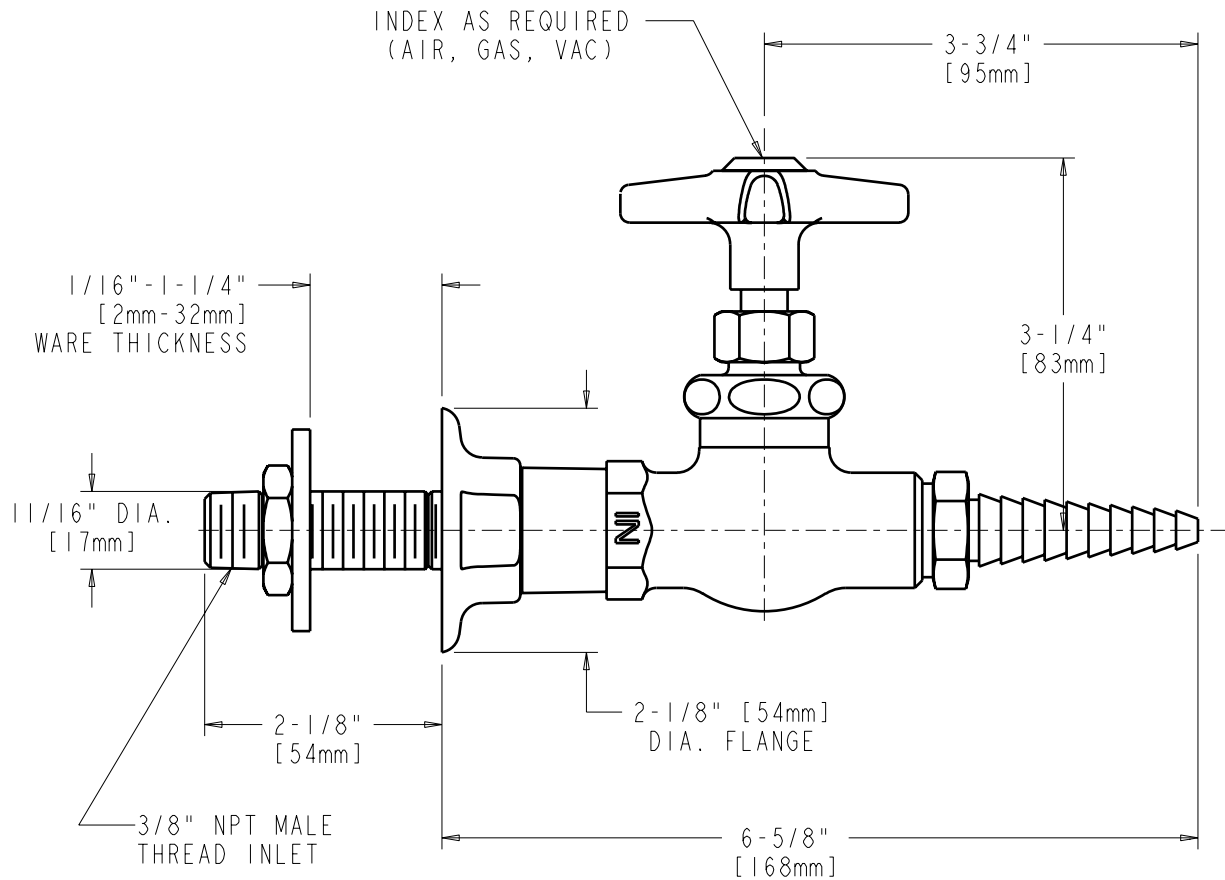
JOB NAME

ITEM NO.

SUBMITTED AS SHOWN

SUBMITTED AS NOTED

SEE ATTACHED FOR
SUBMITTED MODIFICATION



TECHNICAL DATA

- WALL FLANGE FITTING
- 937-CH STRAIGHTWAY NEEDLE VALVE
- 204 INDEXED 4-ARM HANDLES
- AIR, GAS AND VACUUM BUTTONS
- 979-1K INLET SHANK ASSEMBLY
- FINISH: CHROME PLATE

- 150 PSI [10.3 bars] MAXIMUM PRESSURE
- E7 REMOVABLE SERRATED HOSE NOZZLE
- ANSI Z21.15-1997
- CGA9.1-M97

DATE: 5-20-02

BY: JAR

CHK'D:

APP'D: *JAR*

REV: 03-08-07

986-937CHAGV

ROUGHING IN DIMENSIONS MAY VARY AND ARE SUBJECT TO CHANGE. NO RESPONSIBILITY IS ASSUMED FOR USE OF SUPERCEDED OR VOIDED DATA.