

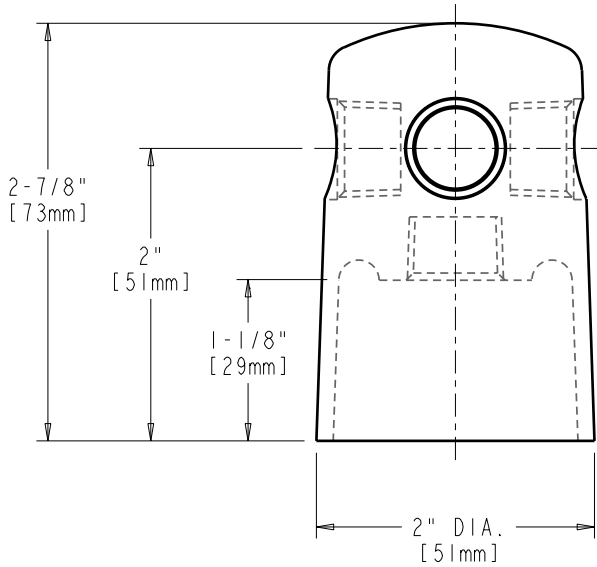
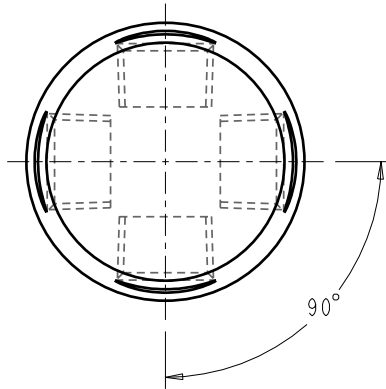
JOB NAME

ITEM NO.

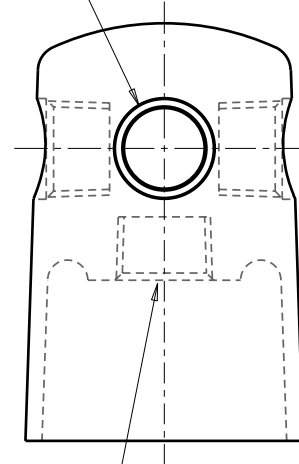
SUBMITTED AS SHOWN

SUBMITTED AS NOTED

SEE ATTACHED FOR  
 SUBMITTED MODIFICATION



3/8" NPT FEMALE  
 THREAD OUTLET  
 (4 PLACES)



3/8" NPT FEMALE  
 THREAD INLET

TECHNICAL DATA

- TURRET WITH FOUR OUTLETS 90° APART
- FINISH: CHROME PLATE

DATE: 5-20-02

BY: JAR

CHK'D:

APP'D:

REV: A

984

ROUGHING IN DIMENSIONS MAY VARY AND ARE SUBJECT TO CHANGE. NO RESPONSIBILITY IS ASSUMED FOR USE OF SUPERCEDED OR VOIDED DATA.