

ROUGHING IN DIMENSIONS MAY VARY AND ARE SUBJECT TO CHANGE. NO RESPONSIBILITY IS ASSUMED FOR USE OF SUPERCEDED OR VOIDED DATA. (0192-1)

CHICAGO[®] FAUCETS

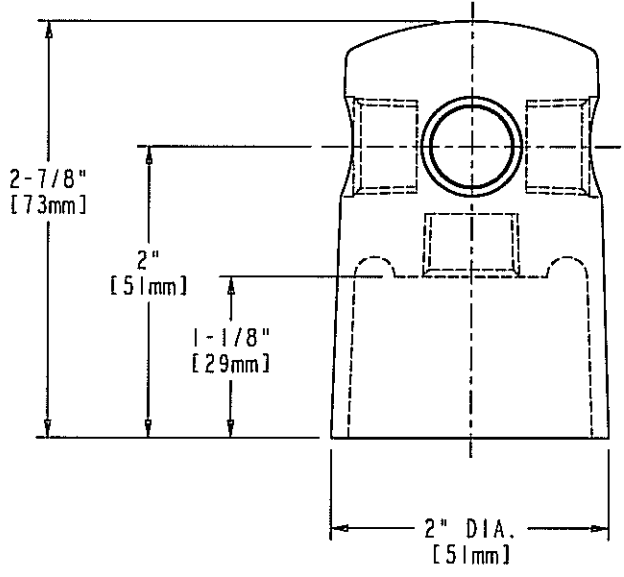
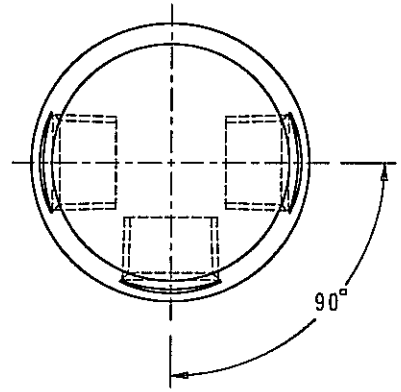
2100 SOUTH CLEARWATER DRIVE
DES PLAINES, ILLINOIS 60018-5999

FITTING NO.
983
SUBMITTED MODEL NO.

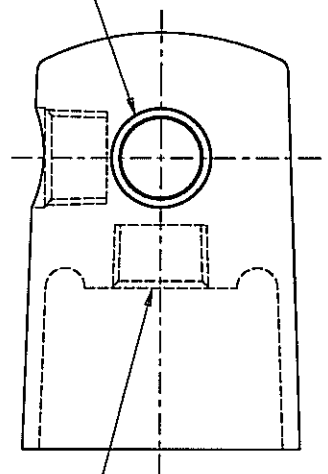
JOB NAME

ITEM NO.

SUBMITTED AS SHOWN	
SUBMITTED AS NOTED	
SEE ATTACHED FOR SUBMITTED MODIFICATION	



3/8" NPT FEMALE
THREAD OUTLET
(3 PLACES)



3/8" NPT FEMALE
THREAD INLET

DIMENSIONS IN INCHES AND [MILLIMETERS].

TECHNICAL DATA	DATE: 06-02-97
<ul style="list-style-type: none"> - DECK MOUNTED LABORATORY TURRET - POLISHED CHROME FINISH OR AS SPECIFIED 	BY: MGM
	CHK'D: <i>PT</i>
	APP'D:
	REV: 06-02-97

983