

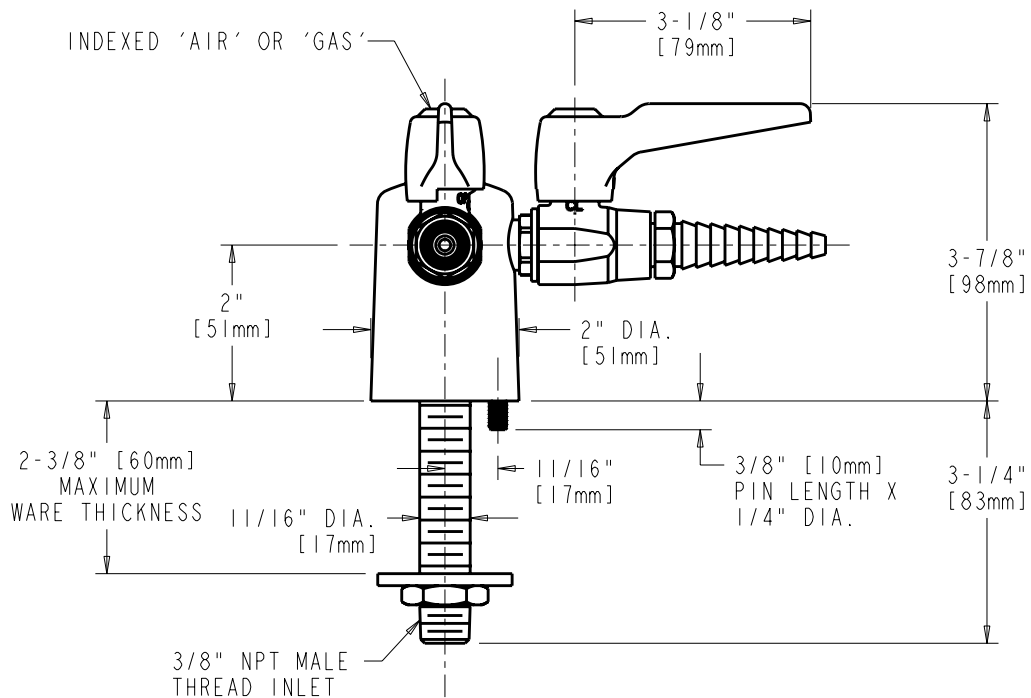
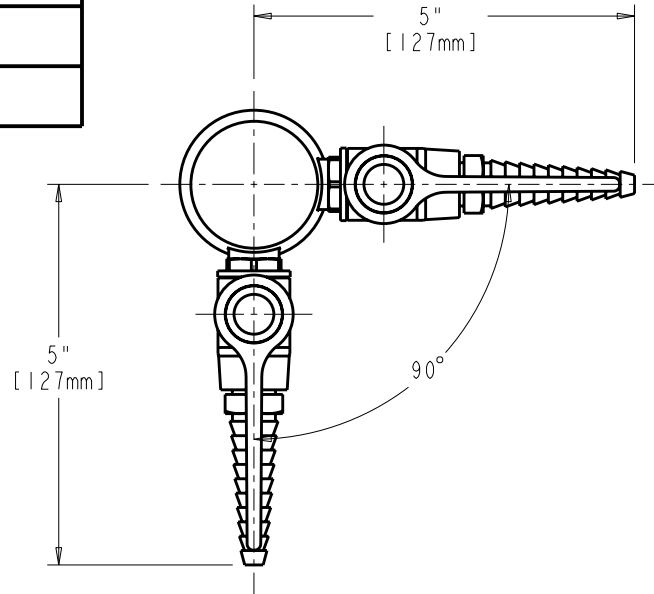
JOB NAME

ITEM NO.

SUBMITTED AS SHOWN

SUBMITTED AS NOTED

SEE ATTACHED FOR
 SUBMITTED MODIFICATION



ROUGHING IN DIMENSIONS MAY VARY AND ARE SUBJECT TO CHANGE. NO RESPONSIBILITY IS ASSUMED FOR USE OF SUPERCEDED OR VOIDED DATA.

DIMENSIONS IN INCHES AND [MILLIMETERS].

TECHNICAL DATA

- VANDAL RESISTANT TURRET WITH TWO BALL VALVES AT 90°
- E7TC REMOVABLE SERRATED HOSE NOZZLE WITH CHECK VALVE
- AIR OR GAS INDEX BUTTONS
- 957-3K INLET SHANK ASSEMBLY
- 0.5-125 PSI MAXIMUM OPERATING PRESSURE
- FINISH: CHROME PLATE

- ANSI Z21.15A
 - CGA9.1M

DATE: 01-07-03

BY: JAR

CHK'D:

APP'D:

REV: B

982-VR909CAG