



a Geberit company

2100 South Clearwater Drive
Des Plaines, IL 60018
Phone: 847-803-5000
Fax: 847-803-5454
www.chicagofaucets.com

ROUGH-IN

BY: JAR DATE: 11-05-07
CHK: *JAR* REV:

FITTING NO.

982-DS909AGVCP

SUBMITTED MODEL NO.

FOR TECHNICAL ASSISTANCE
1-800-TEC-TRUE (1-800-832-8783)

SUBMITTED AS SHOWN

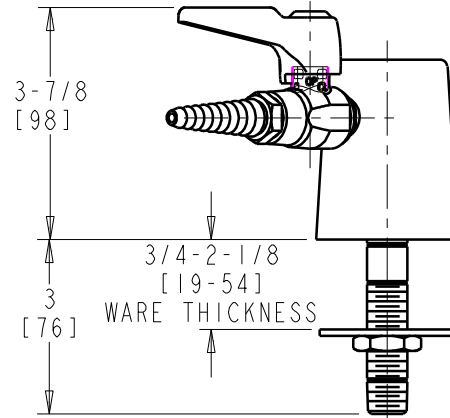
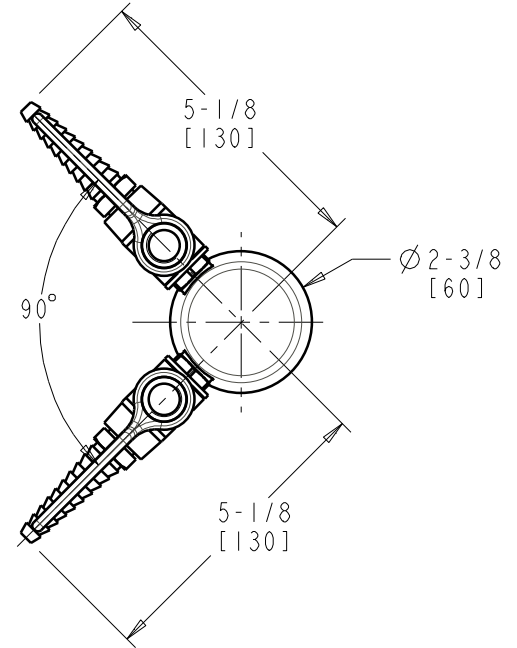
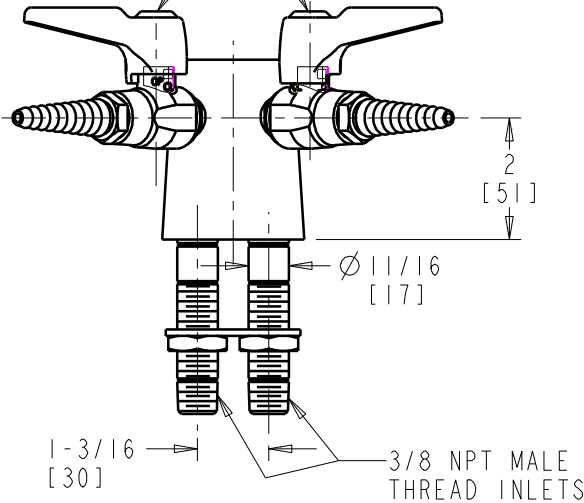
SUBMITTED AS NOTED

SEE ATTACHED FOR
SUBMITTED MODIFICATION

JOB NAME

ITEM NO.

INDEX AS REQUIRED
(AIR, GAS, VAC)



DIMENSIONS ARE IN INCHES AND [MILLIMETERS].

TECHNICAL DATA

- DECK MOUNTED LABORATORY DUAL SERVICE TURRET
- (2) 909 GAS BALL VALVES
- E7T REMOVABLE SERRATED NOZZLE OUTLETS
- (2) 982-104K INLET SHANK ASSEMBLY
- FINISH: CHROME PLATE

- 0.5-125 PSI MAXIMUM OPERATING PRESSURE
- ANSI Z21.15/CGA 9.1 COMPLIANT



ADA COMPLIANT

ROUGHING IN DIMENSIONS MAY VARY AND ARE SUBJECT TO CHANGE. NO RESPONSIBILITY IS ASSUMED FOR USE OF SUPERCEDED OR VOIDED DATA.