

CHICAGO FAUCETS

a Geberit company



2100 SOUTH CLEARWATER DRIVE
DES PLAINES, ILLINOIS 60018-5999

FITTING NO.

982-937CHAGV

SUBMITTED MODEL NO.

JOB NAME

ITEM NO.

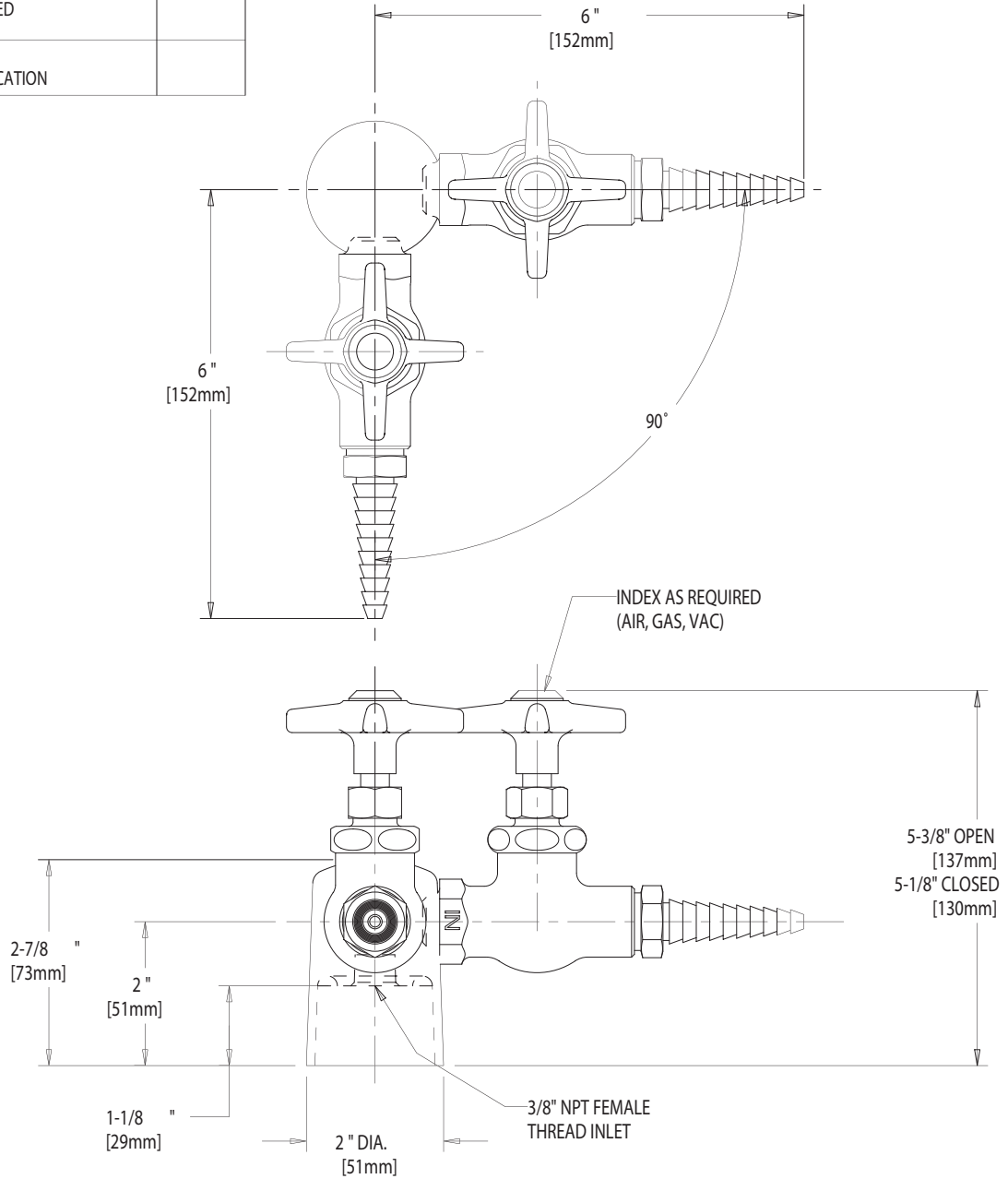
SUBMITTED AS SHOWN

SUBMITTED AS NOTED

SEE ATTACHED FOR
SUBMITTED MODIFICATION

IS ASSUMED FOR USE OF SUPERCEDED OR VOIDED DATA.

ROUGHING IN DIMENSIONS MAY VARY AND ARE SUBJECT TO CHANGE. NO RESPONSIBILITY



TECHNICAL DATA

- DECK MOUNTED LABORATORY TURRET
- (2) 937 NEEDLEPOINT VALVES AT 90
- E7 REMOVABLE SERRATED HOSE NOZZLE
- 204 LABORATORY HANDLES WITH INDEX BUTTON (SPECIFIED INDEX)
- 0.5-125 PSI MAXIMUM OPERATING PRESSURE
- FINISH: CHROME PLATE

DATE: 12-14-04

BY: SID

CHK'D:

APP'D:

REV: B

982-937CHAGV