

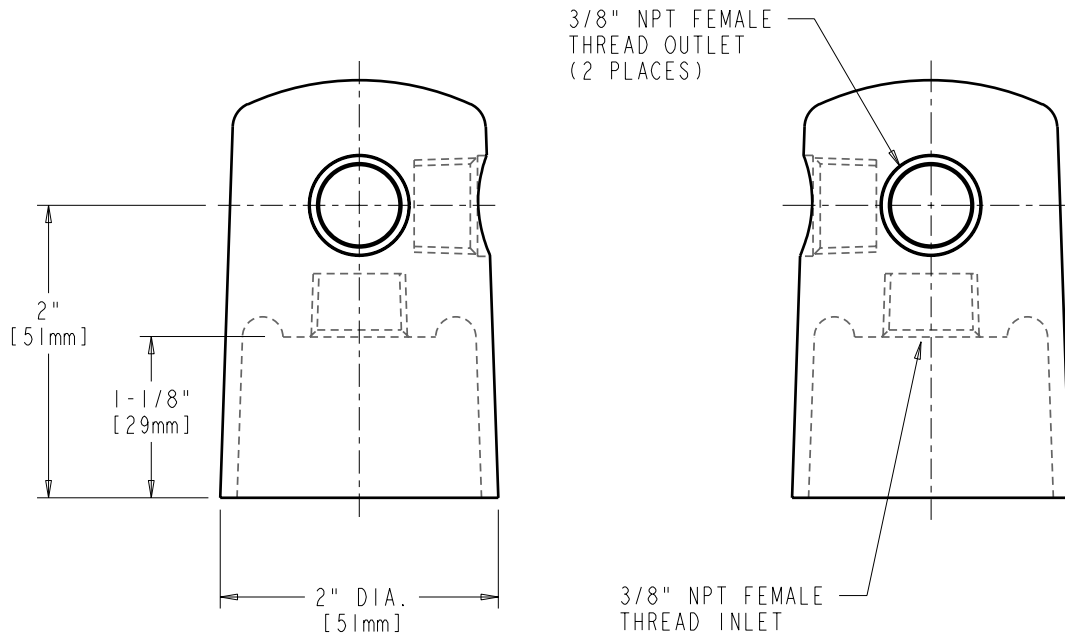
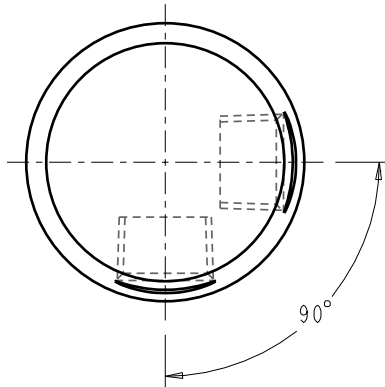
JOB NAME

ITEM NO.

SUBMITTED AS SHOWN

SUBMITTED AS NOTED

SEE ATTACHED FOR  
 SUBMITTED MODIFICATION



TECHNICAL DATA

- TURRET WITH TWO OUTLETS 90° APART
- FINISH: CHROME PLATE

DATE: 5-21-02

BY: JAR

CHK'D:

APP'D:

REV: A

982

ROUGHING IN DIMENSIONS MAY VARY AND ARE SUBJECT TO CHANGE. NO RESPONSIBILITY IS ASSUMED FOR USE OF SUPERCEDED OR VOIDED DATA.