

CHICAGO FAUCETS
a Geberit company

2100 South Clearwater Drive
Des Plaines, IL 60018
Phone: 847-803-5000
Fax: 847-803-5454
www.chicagofaucets.com

ROUGH-IN

FITTING NO.

997-CP

BY: JAR

DATE: 10-30-07

SUBMITTED MODEL NO.

CHK: *JAR*

REV:

FOR TECHNICAL ASSISTANCE
1-800-TEC-TRUE (1-800-832-8783)

SUBMITTED AS SHOWN

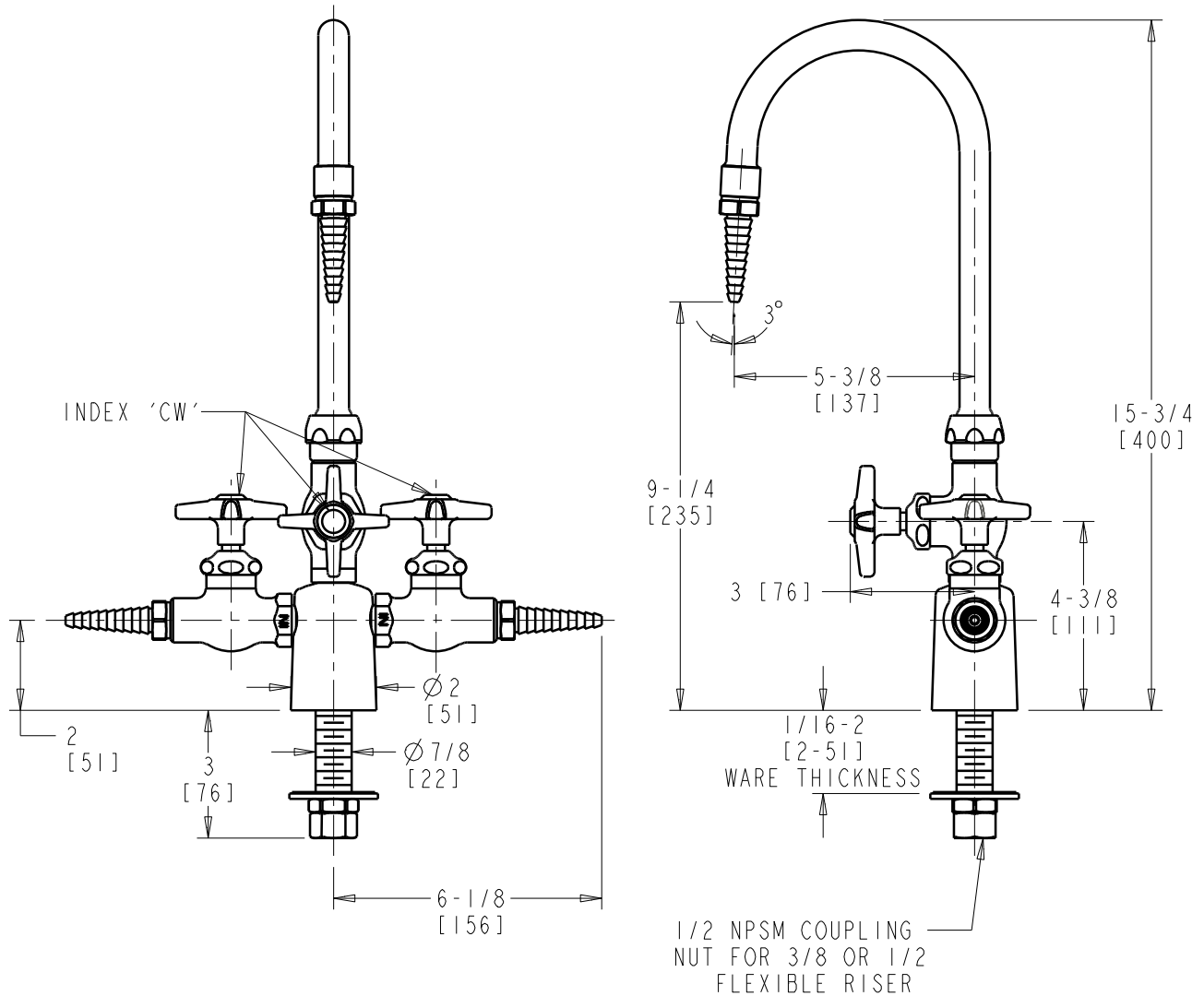
SUBMITTED AS NOTED

SEE ATTACHED FOR
SUBMITTED MODIFICATION

JOB NAME

ITEM NO.

ROUGHING IN DIMENSIONS MAY VARY AND ARE SUBJECT TO CHANGE. NO RESPONSIBILITY IS ASSUMED FOR USE OF SUPERCEDED OR VOIDED DATA.



DIMENSIONS ARE IN INCHES AND [MILLIMETERS].

TECHNICAL DATA

- DECK MOUNTED LABORATORY TURRET
- GN2B RIGID/SWING GOOSENECK SPOUT
- 204 INDEXED 4-ARM HANDLES
- SLO-COMPRESSION CARTRIDGES
- 937 LABORATORY WATER COCKS
- STRAIGHTWAY CONTROL VALVE
- FINISH: CHROME PLATE

- E7T REMOVABLE SERRATED NOZZLE OUTLETS
- ASME A112.18.1/CSA B125.1 COMPLIANT