

JOB NAME

ITEM NO.

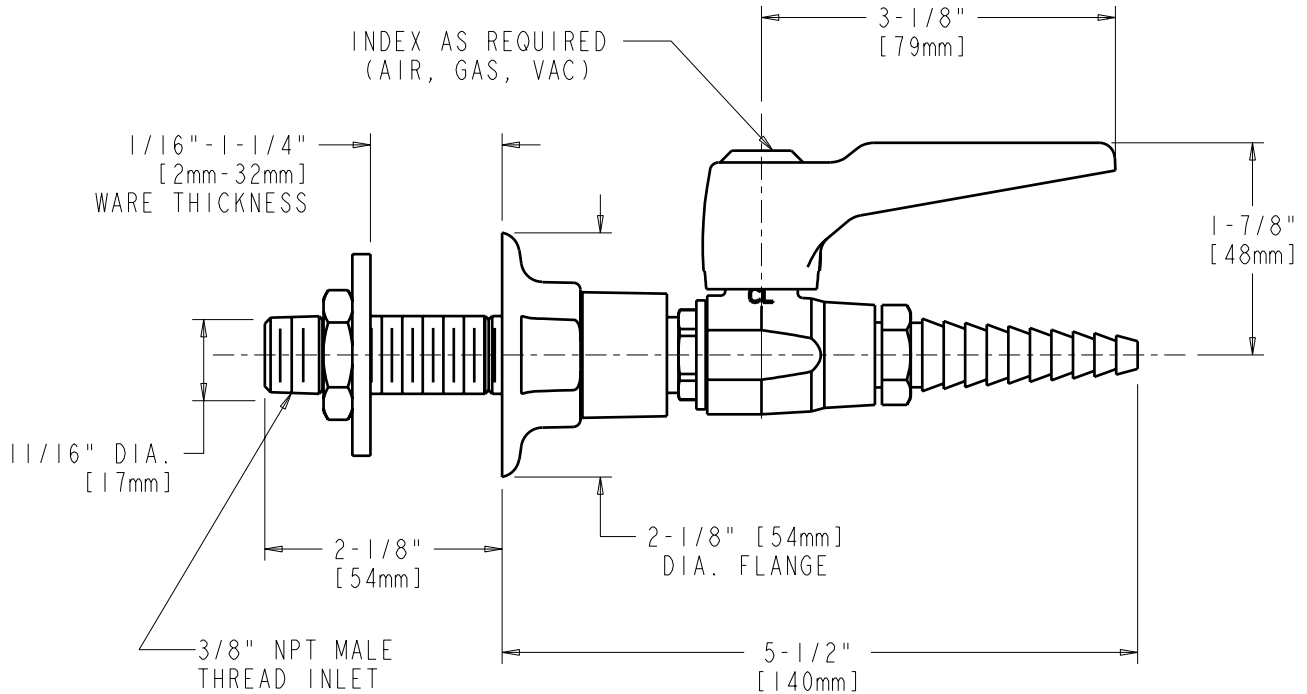
SUBMITTED AS SHOWN

SUBMITTED AS NOTED

SEE ATTACHED FOR
SUBMITTED MODIFICATION



ADA COMPLIANT



TECHNICAL DATA

- WALL FLANGE FITTING
- 909 GAS BALL VALVE
- E7 REMOVABLE SERRATED HOSE NOZZLE
- AIR, GAS AND VACUUM BUTTONS
- SHANK ASSEMBLY
- FOR USE WITH 0.5-125 PSI OPERATING PRESSURE
- FINISH: CHROME PLATE

- ANSI Z21.15-1997
- CGA9.1-M97

DATE: 5-20-02

BY: JAR

CHK'D:

APP'D:

REV: A

986-909AGV

ROUGHING IN DIMENSIONS MAY VARY AND ARE SUBJECT TO CHANGE. NO RESPONSIBILITY IS ASSUMED FOR USE OF SUPERCEDED OR VOIDED DATA.