

ROUGHING IN DIMENSIONS MAY VARY AND ARE SUBJECT TO CHANGE. NO RESPONSIBILITY IS ASSUMED FOR USE OF SUPERCEDED OR VOIDED DATA.



a Geberit company

2100 South Clearwater Drive  
Des Plaines, IL 60018  
Phone: 847-803-5000  
Fax: 847-803-5454  
www.chicagofaucets.com

# ROUGH-IN

BY: JAR      DATE: 10-31-07  
CHK: *JAR*      REV:

FITTING NO.

986-WSV937CHAGVCP

SUBMITTED MODEL NO.

**FOR TECHNICAL ASSISTANCE**  
1-800-TEC-TRUE (1-800-832-8783)

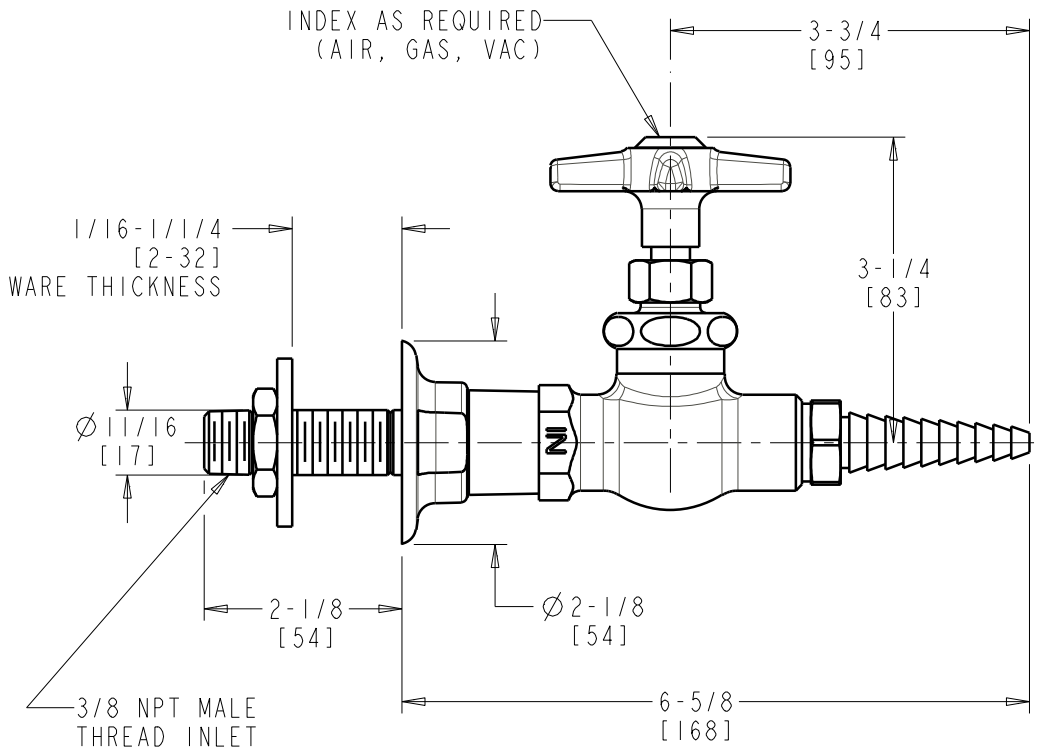
SUBMITTED AS SHOWN

SUBMITTED AS NOTED

SEE ATTACHED FOR  
SUBMITTED MODIFICATION

JOB NAME

ITEM NO.



DIMENSIONS ARE IN INCHES AND [MILLIMETERS].

**TECHNICAL DATA**

- WALL FLANGE FITTING
- 937-CH STRAIGHTWAY NEEDLE VALVE
- E7 REMOVABLE SERRATED NOZZLE OUTLET
- 979-001K INLET SHANK ASSEMBLY
- FINISH: CHROME PLATE

- 150 PSI (10.3 bars) MAXIMUM PRESSURE
- ASME A112.18.1/CSA B125.1 COMPLIANT