

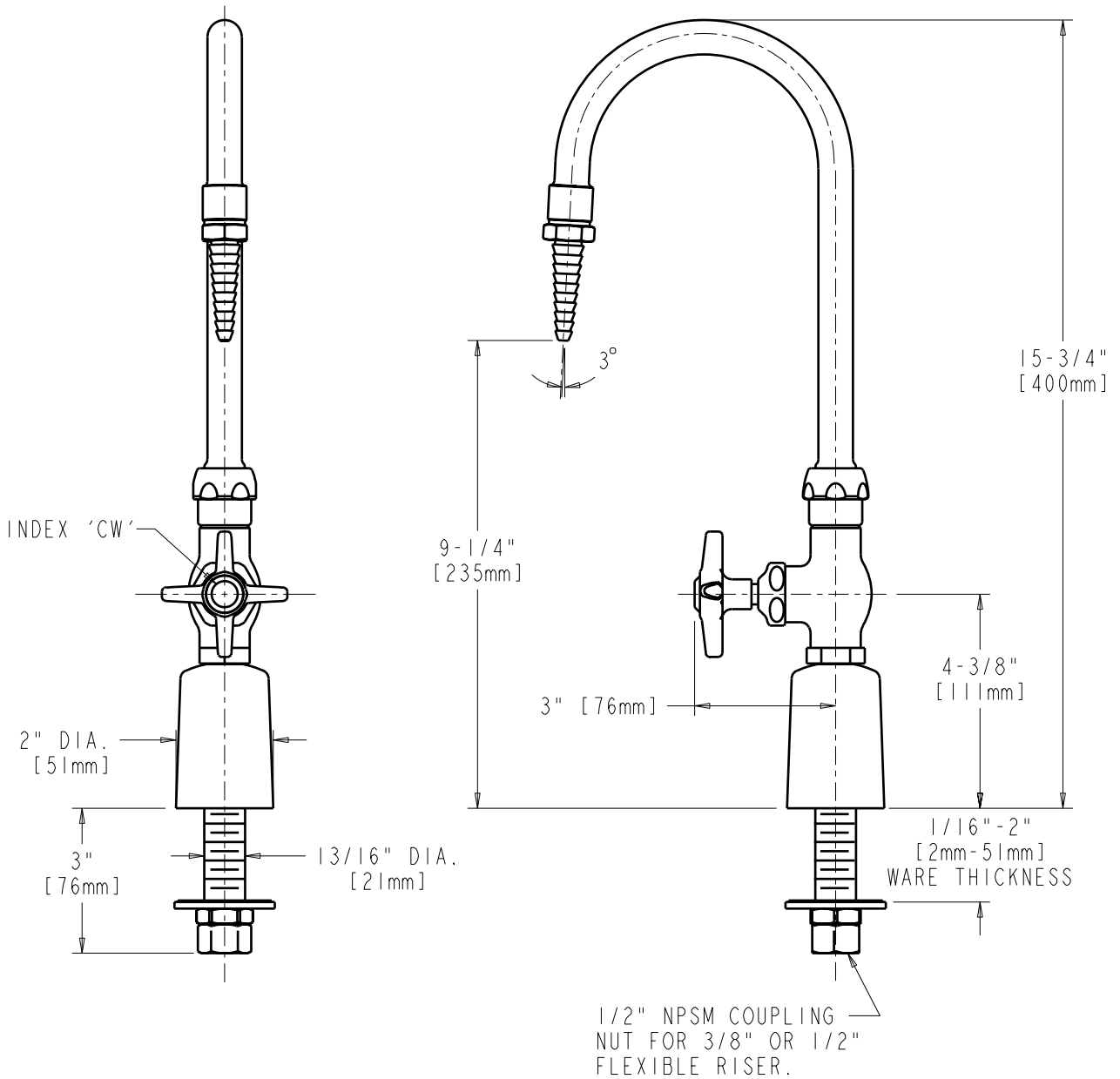
JOB NAME

ITEM NO.

SUBMITTED AS SHOWN

SUBMITTED AS NOTED

SEE ATTACHED FOR
SUBMITTED MODIFICATION



TECHNICAL DATA

- DECK MOUNTED SINGLE WATER INLET FITTING WITH INLINE WATER VALVE
- GN2B RIGID/SWING GOOSENECK SPOUT
- 204 INDEXED 4-ARM HANDLE
- SLO-COMPRESSION CARTRIDGE
- FINISH: CHROME PLATE

- E7 LAB NOZZLE OUTLET
- ASME A112.18.1M COMPLIANT
- CSA B125 COMPLIANT

DATE: 5-20-02

BY: JAR

CHK'D:

APP'D:

REV: A

985-B

ROUGHING IN DIMENSIONS MAY VARY AND ARE SUBJECT TO CHANGE. NO RESPONSIBILITY IS ASSUMED FOR USE OF SUPERCEDED OR VOIDED DATA.