

JOB NAME

ITEM NO.

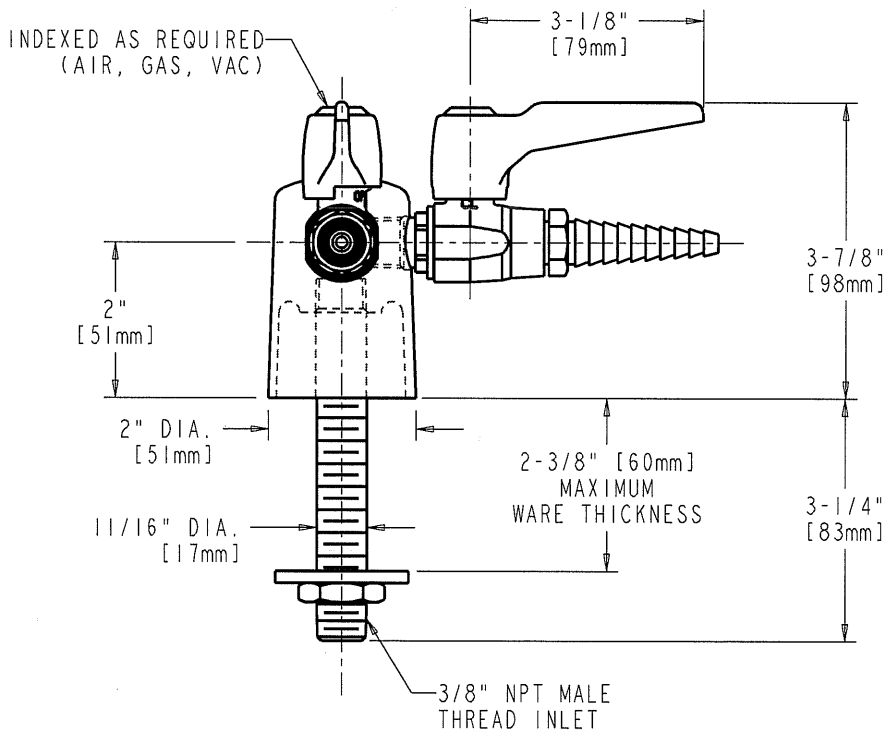
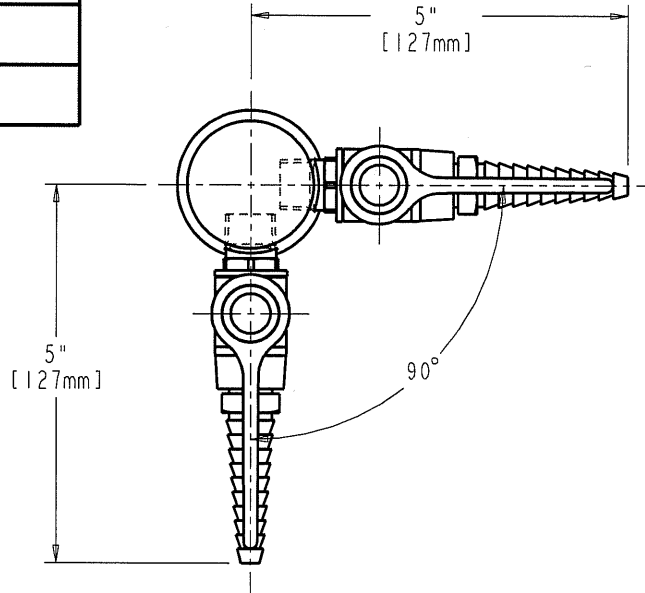
SUBMITTED AS SHOWN

SUBMITTED AS NOTED

SEE ATTACHED FOR
SUBMITTED MODIFICATION



ADA COMPLIANT



DIMENSIONS IN INCHES AND [MILLIMETERS].

TECHNICAL DATA

- TURRET WITH TWO BALL VALVES
- (2) 90° GAS BALL VALVES
- E7T REMOVABLE SERRATED HOSE NOZZLE
- AIR, GAS AND VACUUM BUTTONS
- 957-3K INLET SHANK ASSEMBLY
- 0.5-125 PSI MAXIMUM OPERATING PRESSURE
- FINISH: CHROME PLATE

- ANSI Z21.15
- CGA9.1-M

DATE: 09-23-03

BY: SID

CHK'D:

APP'D: *AT*

REV: A

982-WSV909AGV

ROUGHING IN DIMENSIONS MAY VARY AND ARE SUBJECT TO CHANGE. NO RESPONSIBILITY IS ASSUMED FOR USE OF SUPERCEDED OR VOIDED DATA.